

ZDIM Wireless Dimmers



PROJECT: _____

DATE: _____

TYPE: _____

PREPARED BY: _____



KEY FEATURES

- Controls Lightcloud Blue devices only—no wired load connections
- Wireless dimming and switching via Bluetooth mesh
- 120–277V operation with neutral wire required
- Use as dimmer or on/off paddle switch
- Control a single area or entire site
- Mix with ZDIM, XDIM, or remotes for flexible control
- Optional PIR sensor for occupancy and daylight sensing

A truly wireless solution with Lightcloud Blue



*Select models

PERFORMANCE

Catalog Number	Product Name	Dimming Control Type	Key Type	Input Voltage	Finish	Sensor
ZDIM/LCB	Wireless Dimmer Switch	Wireless using Lightcloud Blue	Paddle	120-277V Neutral wire required	Matte White	None
ZDIM/LCBS					Matte White	Passive Infrared
ZDIMB/LCB					Black	None
ZDIMB/LCBS					Black	Passive Infrared
ZDIMG/LCB					Grey	None
ZDIMG/LCBS					Grey	Passive Infrared
ZDIMLA/LCB					Light Almond	None
ZDIMLA/LCBS					Light Almond	Passive Infrared

TECHNICAL SPECIFICATIONS

LIGHTCLOUD BLUE FEATURES*

Rapid Provisioning

This patented technology allows a user to pair groups of up to 100 devices at a time. Speeding up the commissioning process without any extra costs or fees to do so.

Direct Connect

Use the Lightcloud Blue mobile app to connect to your lights in minutes via Bluetooth Mesh; no Gateway or Hub required.

Mobile App Control

Use the Lightcloud Blue mobile app to configure features for On/Off Control, Dim Level, Color Temperature, Schedules, Scenes, SmartShift and more.

Scalable

Devices within range of each other can communicate within the Bluetooth Mesh network to manage hundreds of thousands of devices per account.

TECHNICAL SPECIFICATIONS

LIGHTCLOUD BLUE*

Gateway Required

No

Communication Protocol

Bluetooth Mesh

Range

Indoor: Up to 60 feet between standard building materials. Building materials such as brick, concrete, and steel construction may require additional Lightcloud Blue devices to extend around an obstruction; Up to 200 feet clear line of sight.

Outdoor: Up to 60 feet clear line of sight; Up to 18 feet around corners

Spacing Criteria

Lightcloud Blue devices should be placed within the specified range to communicate within the Bluetooth Mesh network.

CONSTRUCTION

Product Type

Dimmer

Shape

Rectangular

Electric Material

Plastic

Finish

Matte White, Black, Grey, Light Almond

Key Type

Paddle

Package Includes

- (1) Dimmer
- (1) Face plate bracket
- (1) Back plate
- (2) Mounting screws

COMPLIANCE

Listing

UL 1472

Environment

Suitable for indoor use in dry and damp environments.

T20 Compliant

No

California Title 24 JA8 Compliant

No

California Energy Commission (CEC) Status

Lawful for Sale in California

DLC NLC Listed

This product is on the Design Lights Consortium (DLC) Network Lighting Controls (NLC) Qualified Products List and is eligible for rebates from DLC Member Utilities. DLC system - N1XMLOEATBA (*Interior*); NHCZ2BIA17L (*Exterior*)

FCC

Complies with Part 15 of the FCC Rules

RoHS

Mercury and UV free. RoHS-compliant components.

INSTALLATION

Mounting

Requires a U.S. wall box with 2-inch depth (*recommended*) and a minimum depth of 1.46 inches. For use in single or multi-gang applications.

Application Type

Single pole or 3-way

Neutral Wire Required

Yes

ELECTRICAL

Dimmable

Yes, when used to control other Lightcloud Blue lights or devices. This dimmer will not operate traditional TRIAC/ELV or 0-10V dimming circuits, consider the XDIM for these applications.

Input Voltage

120-277V

Operating Temperature

32 °F to 104 °F (0 °C to 40 °C)

SENSOR SETTINGS **Only applies to /LCBS models*

Sensor Connection Type

Integrated

Max Mounting Height

4 ft.

Detection Range

26 ft. distance mounted at 4 ft.

Sensor Technology

Passive Infrared (PIR)

Detection Range

26 ft. distance mounted at 4 ft.

Default Setting

Uncommissioned State:
Motion Sensitivity: High
Brightness when triggered : 100%
Hold time: 20 minute
Standby to dim: 20%
Standby time: 1 minute
When vacant: Off
Daylight Harvesting: Disabled
Photocell: Disabled

Once paired to the mobile app, the sensor will be disabled. Sensor settings can be configured using the mobile app.

Daylight Sensing

Closed loop daylight harvesting with continuous dimming. Specify settings using the Lightcloud Blue mobile app.

TECHNICAL SPECIFICATIONS *(cont'd)*

OTHER

Warranty

The RAB 3-year, limited warranty covers light output, driver performance and paint finish. RAB's warranty is subject to all terms and conditions found at rablighting.com/warranty.

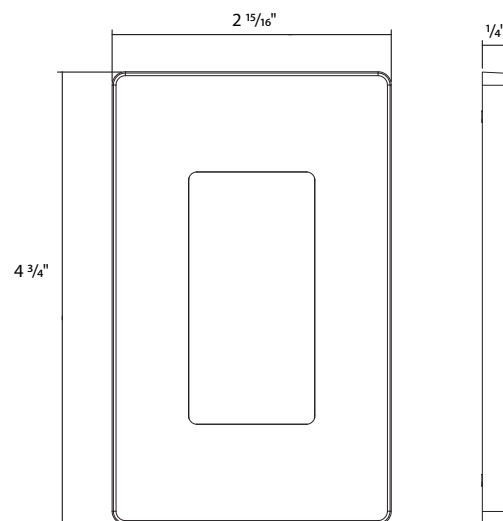
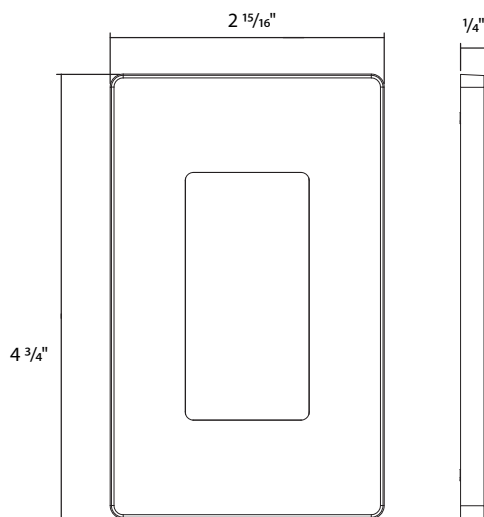
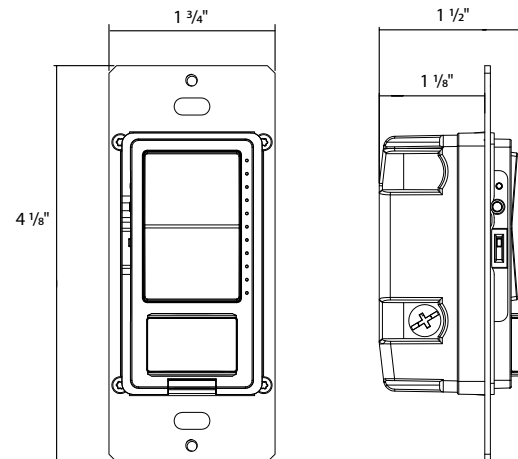
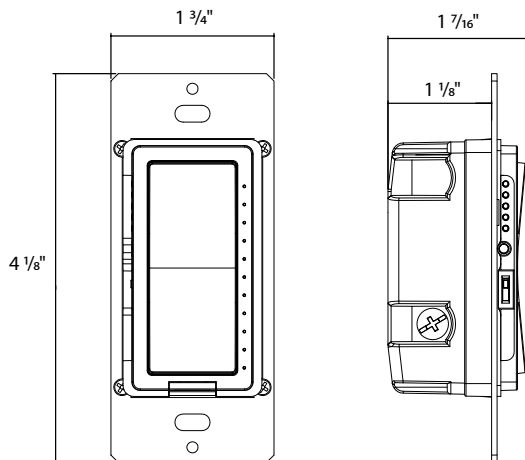
Download the Lightcloud Blue app for free to get started!



DIMENSIONS

ZDIM/LCB
 ZDIMB/LCB
 ZDIMG/LCB
 ZDIMLA/LCB
 Weight: 0.19 lb

ZDIM/LCBS
 ZDIMB/LCBS
 ZDIMG/LCBS
 ZDIMLA/LCBS
 Weight: 0.19 lb



ORDERING INFO

Catalog/Model Number	UPC	Case Pack
ZDIM/LCB	192552044493	24
ZDIM/LCBS	192552044509	24
ZDIMB/LCB	192552056618	24
ZDIMB/LCBS	192552056649	24
ZDIMG/LCB	192552056632	24
ZDIMG/LCBS	192552056663	24
ZDIMLA/LCB	192552056625	24
ZDIMLA/LCBS	192552056656	24

ORDERING MATRIX

Family	Voltage	Finish	Controls
ZDIM	Blank 120-277V	Blank B G LA Matte White Black Grey Light Almond	/LCB /LCBS Lightcloud Blue Lightcloud Blue w/PIR Sensor