

INSTRUCTIONS

A17™ AREA LIGHT INSTALLATION

RAB®

RAB Lighting is committed to creating high-quality, affordable, well-designed and energy-efficient LED lighting and controls that make it easy for electricians to install and end users to save energy. We'd love to hear your comments. Please call the Marketing Department at 888-RAB-1000 or email: marketing@rablighting.com



A17 Universal Pole



A17 Slipfitter

IMPORTANT

READ CAREFULLY BEFORE INSTALLING FIXTURE. RETAIN THESE INSTRUCTIONS FOR FUTURE REFERENCE.

RAB fixtures must be wired in accordance with the National Electrical Code and all applicable local codes. Proper grounding is required for safety. THIS PRODUCT MUST BE INSTALLED IN ACCORDANCE WITH THE APPLICABLE INSTALLATION CODE BY A PERSON FAMILIAR WITH THE CONSTRUCTION AND OPERATION OF THE PRODUCT AND THE HAZARDS INVOLVED.

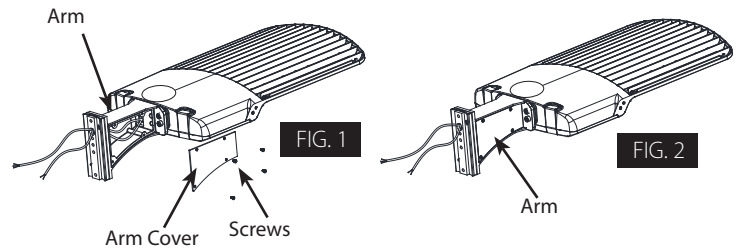
WARNING: Make certain power is OFF before installing or maintaining fixture. No user serviceable parts inside.

WARNING: Do not use an electric generator to test LED fixtures.

WARNING: Min 75°C SUPPLY CONDUCTORS.

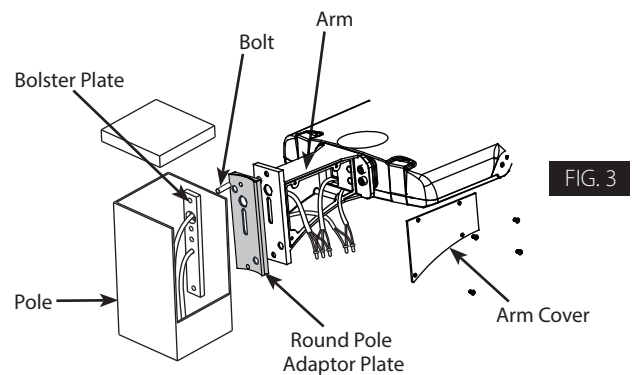
MOUNTING THE UNIVERSAL ARM ON THE FIXTURE

1. Remove the **Arm Cover** from the **Arm** by loosening **Arm Cover Screws** as shown in **Fig. 1**.
2. Feed wires from fixture into **Arm**.
3. Line up **Arm** and fixture. Tighten screws inside the **Arm** and tighten securely to housing.
4. Replace the **Arm Cover** and secure with **Screws** as shown in **Fig. 2**.



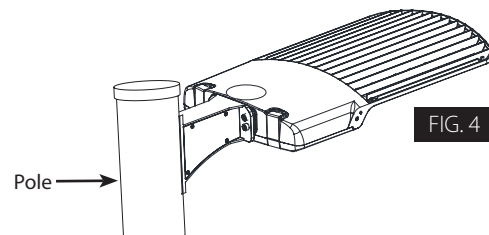
Square Pole Mount

1. Place the **Bolster Plate** inside the **Pole** as shown in **Fig. 3**.
2. Remove the **Round Pole Adaptor Plate**.
3. Fix **Arm** to **Square Pole** with **Bolt**.
4. Open the **Arm Cover** and pull the wires into the junction box.
5. Feed supply wires from the **Pole** to connect to the **Arm**. Make appropriate wire connections per NEC in an approved enclosure (**Fig. 7**).
6. Use bolts to tighten to the **Pole**.



Round Pole Mount

1. Place the **Bolster Plate** inside the **Pole** as shown in **Fig. 3**.
2. Fix **Arm** to **Round Pole** with **Bolt**.
3. Open the **Arm Cover** and pull the wires into the junction box.
4. Feed supply wires from the **Pole** to connect to the **Arm**. Make appropriate wire connections per NEC in an approved enclosure (**Fig. 7**).
5. Use bolts to tighten to the **Pole**.



INSTRUCTIONS

A17™ AREA LIGHT INSTALLATION

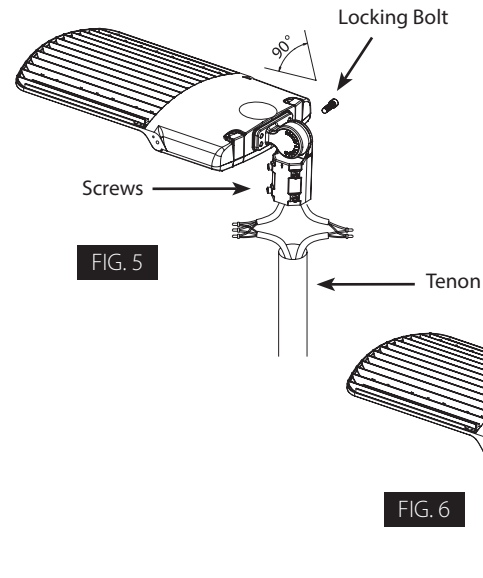
RAB®

RAB Lighting is committed to creating high-quality, affordable, well-designed and energy-efficient LED lighting and controls that make it easy for electricians to install and end users to save energy. We'd love to hear your comments. Please call the Marketing Department at 888-RAB-1000 or email: marketing@rablighting.com

SLIPFITTER MOUNT

NOTICE: Adjustable angle is 90°.

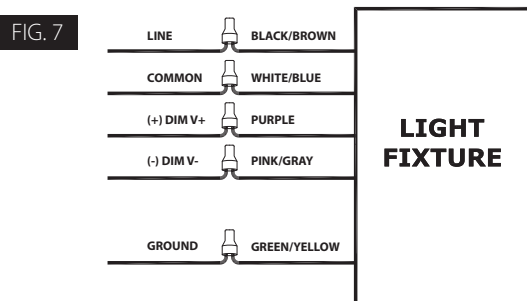
1. Place the **Slipfitter** over the **Tenon** and secure the **Fixture** with set **Screws** on the side of the **Slipfitter** as shown in **Fig. 5**.
2. Feed wires from **Fixture** through **Slipfitter** and supply wires from pole. Make the necessary connections in the **Slipfitter** and knot wires for strain relief.
3. To adjust the angle of the **Slipfitter**, loosen the **Locking Bolt** and swivel **Fixture** to desired angle. The graduation of the **Slipfitter** cover plate can be used as guidelines to adjust the angle.
4. Tighten the **Locking Bolt** (**Fig. 6**).



0-10V DIMMABLE WIRING

Universal voltage driver permits operation at 120V thru 277V, 50 or 60 Hz. Units ordered with /480 suffix operate at 480V, 50 or 60Hz. For 0-10 Dimming, follow the wiring directions as shown in **Fig. 7**.

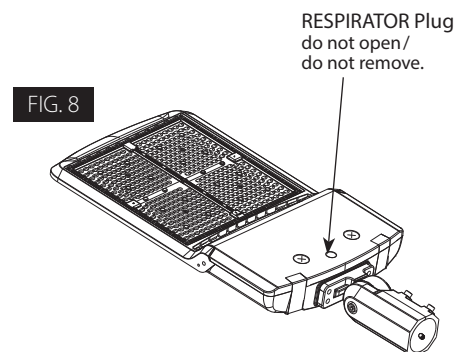
1. Connect the black/brown fixture lead to the LINE supply lead.
2. Connect the white/blue fixture lead to the COMMON supply lead.
3. Connect the green/yellow wire from fixture to supply ground. Do NOT connect the GROUND of the dimming fixture to the output.
4. Connect the purple fixture lead to the DIM V+ lead.
5. Connect the pink/gray fixture lead to the DIM V- lead.
6. Cap the yellow fixture lead, if present. Do NOT connect.



CLEANING & MAINTENANCE

CAUTION: Do not open or remove Respirator Plug as shown in **Fig. 8**. Be sure fixture temperature is cool enough to touch. Do not clean or maintain while fixture is energized.

1. Clean Polycarbonate lens with non-abrasive glass cleaning solution.
2. Do not open the fixture to clean the LED. Do not touch the LED.



Note: These instructions do not cover all details or variations in equipment nor do they provide for every possible situation during installation, operation or maintenance.

RAB®

© 2021 RAB LIGHTING Inc.
A17-70-375W - IN - 1021
73712-RAB

Easy Answers

rablighting.com
Visit our website for product info

Tech Help Line
Call our experts: 888 722-1000

e-mail
Answered promptly - sales@rablighting.com

Free Lighting Layouts
Answered online or by request

RAB WARRANTY: RAB's warranty is subject to all terms and conditions found at rablighting.com/warranty