



Post Top, Highbay, and Area Light HID Retrofits.  
UL Type B

PROJECT:

DATE:

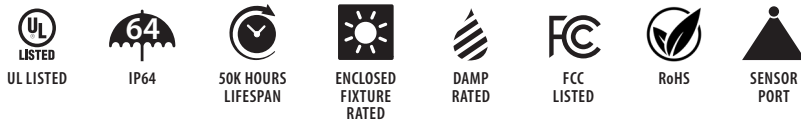
TYPE:

PREPARED BY:



### KEY FEATURES

- Replacement for traditional metal halide or high pressure sodium HID lamps up to 400W.
- Multiple angle configurations ideal for low/high bay, shoebox, and post top applications.
- Active Cooling: Internal sensor overheat will automatically reduce output to 70% rated wattaged until the sensor cools and will light up again to 100%.
- Integral Driver allows lamp to be installed on 100-277V line voltage.
- Rated for use in enclosed and open fixtures in dry or damp locations.
- 4kV surge protection built in.
- 50,000 hours lifespan.
- Environmentally friendly, no mercury used.
- UL Listed, DLC Listed.
- Non-Dimmable - Step dimming when used with smart sensors.
- 5 Year no compromise warranty.
- Lamp includes on board low-voltage AUX port for lamp level sensor accessories.



### PERFORMANCE SUMMARY

Catalog Number	Equivalency	Input Wattage	Lumens	Efficacy	Color Temperature	CRI	L70 Lifespan	DLC ID
HID-50-EX39-840-BYP-ADJ	200W MH OR HPS	50	7500	150	5000K	80	50,000	P6SVHLAT
HID-50-EX39-850-BYP-ADJ	200W MH OR HPS	50	7500	150	5000K	80	50,000	PA872ZJX
HID-70-EX39-840-BYP-ADJ	250W MH OR HPS	70	10500	150	4000K	80	50,000	PHYP2UHC
HID-70-EX39-850-BYP-ADJ	250W MH OR HPS	70	10500	150	5000K	80	50,000	P5RBEKNI
HID-100-EX39-840-BYP-ADJ	400W MH OR HPS	100	15000	150	4000K	80	50,000	PYABJBY1
HID-100-EX39-850-BYP-ADJ	400W MH OR HPS	100	15000	150	5000K	80	50,000	PANEKUFM

## TECHNICAL SPECIFICATIONS

### LED CHARACTERISTICS

**LEDs**

Long-life, high-efficacy, COB LEDs.

**Color Stability**

LED color temperature is warranted to shift no more than 200K in color temperature over a 5-year period.

**Color Uniformity**

RAB's range of Correlated Color Temperature follows the guidelines of the American National Standard for Specifications for the Chromaticity of Solid State Lighting (SSL) Products, ANSI C78.377-201.

### CONSTRUCTION

**Product Type:**

HID

**Bulb Shape:**

Adjustable  
- Post Top  
- High Bay  
- Area Light

**Housing Material**

Polycarbonate & metal heat sink

**Housing Finish**

White

**Lens Finish**

Clear

**Beam Angle**

180°

**Base Type**

EX39 Exclusionary Mogul Base

### ELECTRICAL

**Input Voltage**

100 - 277V

**Power Factor**

0.9

**THD**

<20%

**Operating Frequency**

60Hz

**Operating Temperature**

-30 to 60 °C, -22 to 140 F

**Surge Protection**

4kV

**Driver**

Constant Current:

50W 120V: 0.55, 277V: 0.20A

70W 120V: 0.77, 277V: 0.28A

100W 120V: 1.11, 277V: 0.40A

### COMPLIANCE

**Safety Listing**

UL Listed, UL Classified

**Environment / Fixture Rating**

Damp / Enclosed

**IP Rating**

IP64

**DLC (Standard / Premium)**

DLC Standard

**RoHS**

Mercury and UV free. RoHS-compliant components.

**FCC**

Complies with Part 15 of the FCC Rules.

### INSTALLATION

**Installation Method**

Type B, Ballast Bypass

**Burning Position**

Horizontal / Vertical

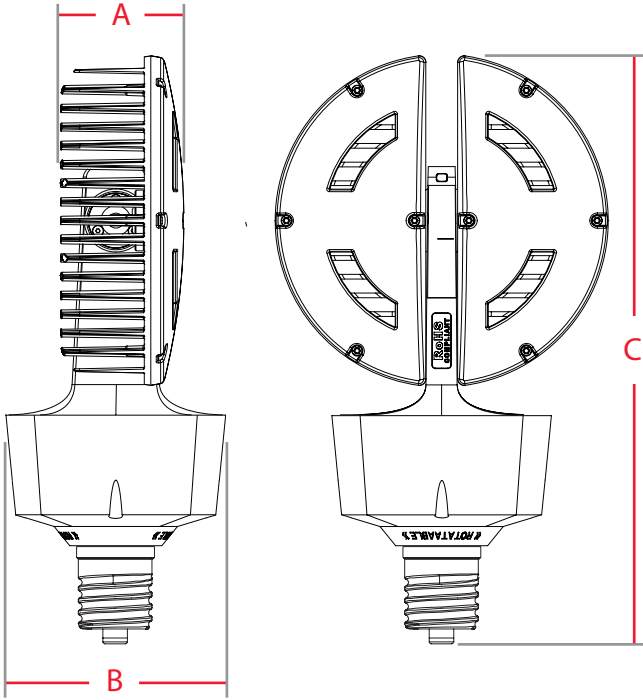
### OTHER

**Warranty**

RAB warrants that our LED products will be free from defects in materials and workmanship for a period of five (5) years from the date of delivery to the end user, including coverage of light output, color stability, driver performance and fixture finish.

RAB's warranty is subject to all terms and conditions found at [rablighting.com/warranty](http://rablighting.com/warranty).

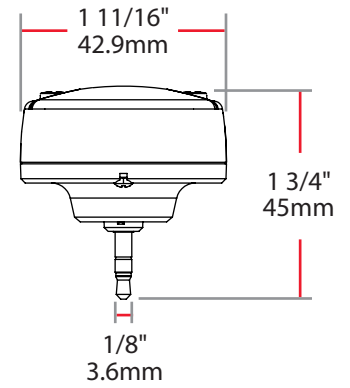
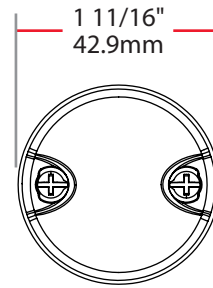
## DIMENSIONS



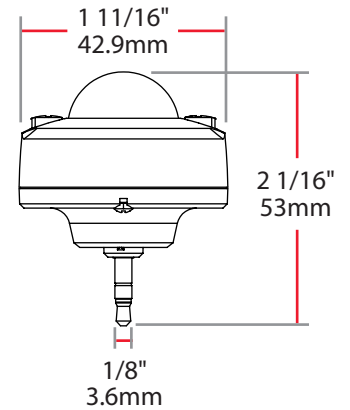
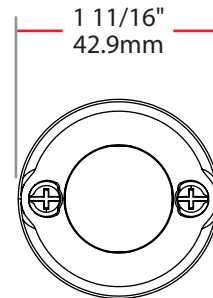
	A	B	C
50W	1 5/16"	3 3/8"	9 7/8"
70W	1 3/16"	3 3/8"	11 9/16"
100W	2 1/16"	4 5/8"	12 3/8"

## ACCESSORIES

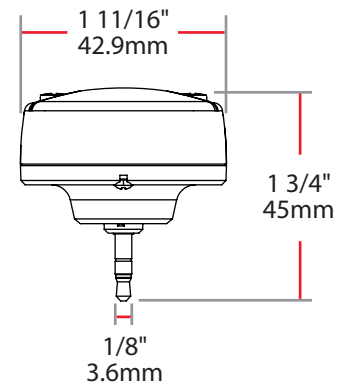
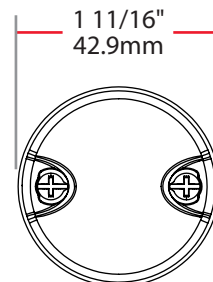
### Option Accessories



Catalog Number: SMW-S / MW-S



Catalog Number: SPIR-S / PIR-S



Catalog Number: DAYLIGHT-S

## ORDERING INFO

Catalog Number	Model Number (DLC)	UPC	Case Pack
HID-50-EX39-840-BYP-ADJ	H10023(HID-50-EX39-840-BYP-ADJ)	019813908342	4
HID-50-EX39-850-BYP-ADJ	H10024(HID-50-EX39-850-BYP-ADJ)	019813908359	4
HID-70-EX39-840-BYP-ADJ	H10026(HID-70-EX39-840-BYP-ADJ)	019813908366	4
HID-70-EX39-850-BYP-ADJ	H10027(HID-70-EX39-850-BYP-ADJ)	019813908373	4
HID-100-EX39-840-BYP-ADJ	H10029(HID-100-EX39-840-BYP-ADJ)	019813908380	4
HID-100-EX39-850-BYP-ADJ	H10030(HID-100-EX39-850-BYP-ADJ)	019813908397	4

## ORDERING MATRIX

Product	Wattage	Base	Color Temperature	Options
HID		EX39	830	
	50 50W / 7500lm / 200W EQ	EX39 Exclusionary Mogul Base	830 80CRI 3000K	BYP Ballast Bypass
	70 70W / 10500lm / 250W EQ			ADJ Adjustable Beam
	100 100W / 1500lm / 400W EQ			