

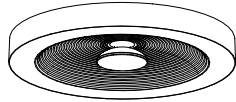
INSTRUCTIONS

AURA INSTALLATION

RAB®

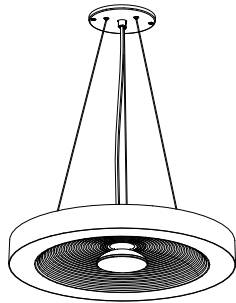
RAB Lighting is committed to creating high-quality, affordable, well-designed and energy-efficient LED lighting and controls that make it easy for electricians to install and end users to save energy. We'd love to hear your comments. Please call the Marketing Department at 888-RAB-1000 or email: marketing@rablighting.com
DON'T TOSS IT---RECYCLE IT! MAKE THE SUSTAINABLE CHOICE BY RECYCLING THIS FIXTURE AT END OF LIFE WITH A LICENSED RECYCLING PROVIDER.

Ceiling Mount

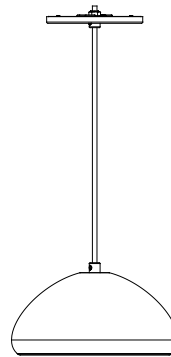


AURA-S16 Surface Mount

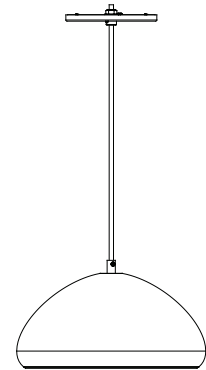
Pendant Mount



AURA-S16 Pendant Mount



AURA-P8 Pendant Mount



AURA-P12 Pendant Mount

IMPORTANT

READ CAREFULLY BEFORE INSTALLING FIXTURE. RETAIN THESE INSTRUCTIONS FOR FUTURE REFERENCE.

RAB fixtures must be wired in accordance with the National Electrical Code and all applicable local codes. Proper grounding is required for safety. THIS PRODUCT MUST BE INSTALLED IN ACCORDANCE WITH THE APPLICABLE INSTALLATION CODE BY A PERSON FAMILIAR WITH THE CONSTRUCTION AND OPERATION OF THE PRODUCT AND THE HAZARDS INVOLVED.

WARNING: Make certain power is OFF before installing or maintaining fixture. No user serviceable parts inside.

CAUTION: For proper weatherproof function all gaskets must be seated properly and all screws inserted and tightened firmly. Apply weatherproof silicone sealant around the edge of the ceiling mounting box and/or junction box.

This is especially important with an uneven ceiling surface. Silicone all plugs and unused conduit entries.

INSTRUCTIONS

AURA INSTALLATION



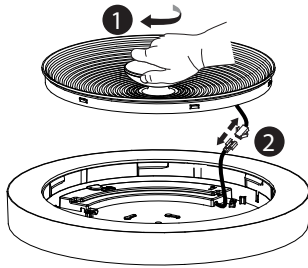
RAB Lighting is committed to creating high-quality, affordable, well-designed and energy-efficient LED lighting and controls that make it easy for electricians to install and end users to save energy. We'd love to hear your comments. Please call the Marketing Department at 888-RAB-1000 or email: marketing@rablighting.com
DON'T TOSS IT---RECYCLE IT! MAKE THE SUSTAINABLE CHOICE BY RECYCLING THIS FIXTURE AT END OF LIFE WITH A LICENSED RECYCLING PROVIDER.

CEILING MOUNT INSTALLATION

The fixture is suitable for indoor applications in damp locations.

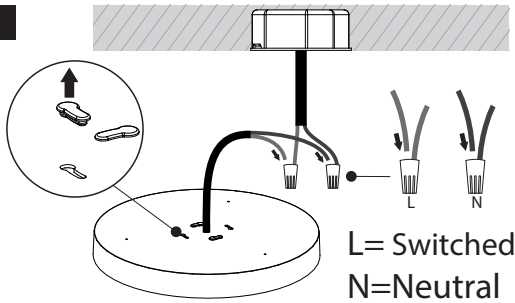
1. Open **Door** by rotating it,Loose the wire connectors.(Fig. 1)

Fig: 1



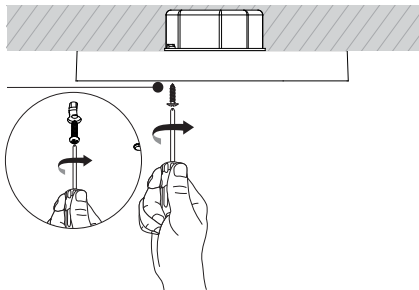
2. Feed fixture wires through the Plate to make electrical splices in junction box. Use appropriate UL approved wire connectors as required by code to complete wiring.(Fig. 2)

Fig: 2



3. Choose appropriate slots as marked in Fig. 3, and secure to junction box (not supplied). (Fig.3)

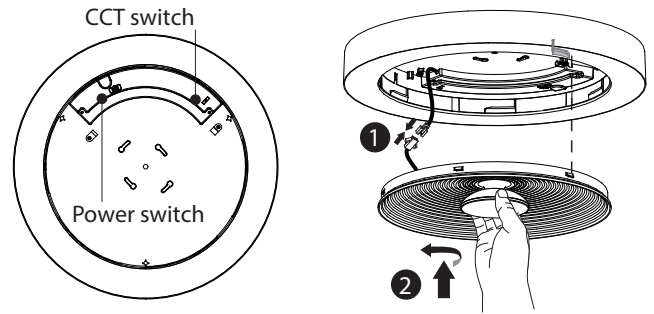
Fig: 3



CEILING MOUNT INSTALLATION(cont'd)

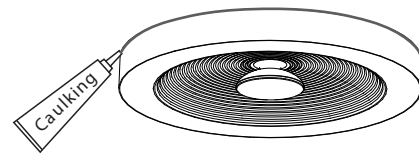
4. Select preferred CCT and watts, then plug in the connectors, insert the Door into the plate, rotate to lock it firmly.(Fig.4)

Fig: 4



5. If ceiling surface is irregular , use caulk to seal any gaps around Ceiling Mounting Box.(Fig.5)

Fig: 5



INSTRUCTIONS

AURA INSTALLATION

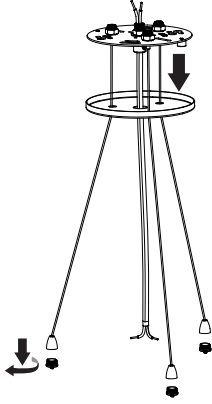
RAB®

RAB Lighting is committed to creating high-quality, affordable, well-designed and energy-efficient LED lighting and controls that make it easy for electricians to install and end users to save energy. We'd love to hear your comments. Please call the Marketing Department at 888-RAB-1000 or email: marketing@rablighting.com
****DON'T TOSS IT---RECYCLE IT! MAKE THE SUSTAINABLE CHOICE BY RECYCLING THIS FIXTURE AT END OF LIFE WITH A LICENSED RECYCLING PROVIDER.****

TRANSFORM CEILING MOUNT INTO PENDANT MOUNT

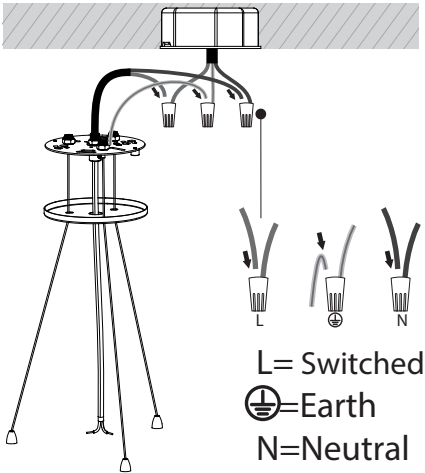
1. Remove the screws on the sides.(Fig.6)

Fig: 6



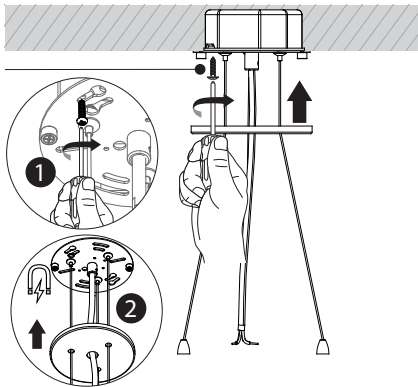
2. Connect wires correspondingly.(Fig.7)

Fig: 7



3. Choose appropriate Slots as marked in Fig. 8, and secure to junction box (not supplied). (Fig.8)

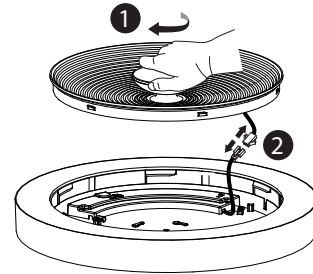
Fig: 8



TRANSFORM CEILING MOUNT INTO PENDANT MOUNT(cont'd)

4. Open Door by rotating it,Loose the wire connectors.(Fig. 9)

Fig: 9



5. Release the mounting clips to secure the luminaire firmly.(Fig.10)

Fig: 10

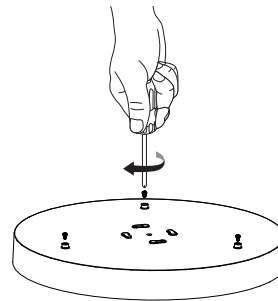
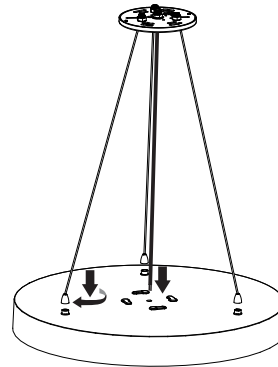


Fig: 11



INSTRUCTIONS

AURA INSTALLATION

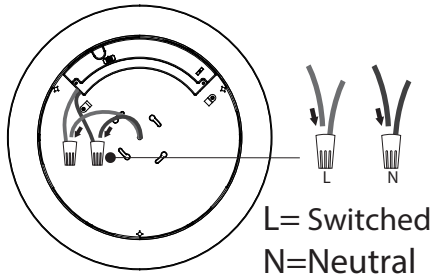
RAB®

RAB Lighting is committed to creating high-quality, affordable, well-designed and energy-efficient LED lighting and controls that make it easy for electricians to install and end users to save energy. We'd love to hear your comments. Please call the Marketing Department at 888-RAB-1000 or email: marketing@rablighting.com
DON'T TOSS IT---RECYCLE IT! MAKE THE SUSTAINABLE CHOICE BY RECYCLING THIS FIXTURE AT END OF LIFE WITH A LICENSED RECYCLING PROVIDER.

TRANSFORM CEILING MOUNT INTO PENDANT MOUNT(cont'd)

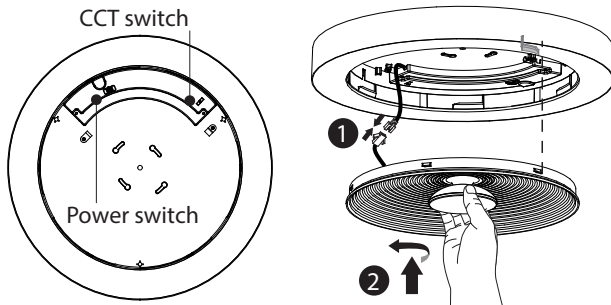
1. Wiring correspondly.(Fig. 12)

Fig: 12



2. Select preferred CCT and watts, then plug in the connectors, insert the Door into the plate, rotate to lock it firmly.(Fig. 13)

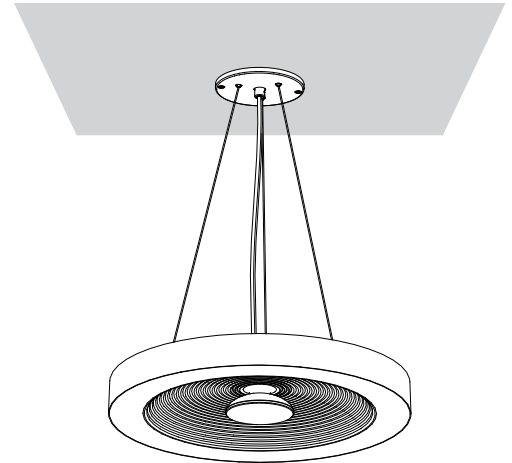
Fig: 13



TRANSFORM CEILING MOUNT INTO PENDANT MOUNT(cont'd)

3. Put the cover on.(Fig. 14)

Fig: 14



INSTRUCTIONS

AURA INSTALLATION

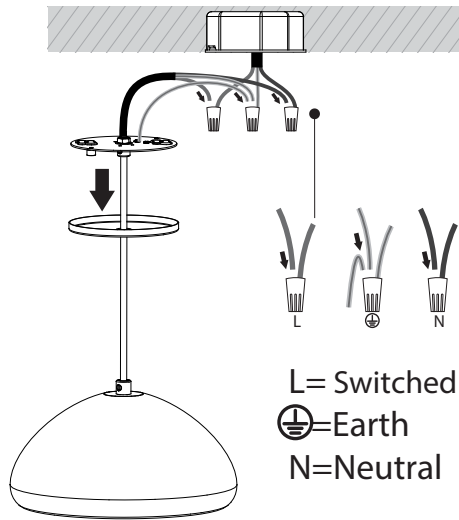
RAB®

RAB Lighting is committed to creating high-quality, affordable, well-designed and energy-efficient LED lighting and controls that make it easy for electricians to install and end users to save energy. We'd love to hear your comments. Please call the Marketing Department at 888-RAB-1000 or email: marketing@rablighting.com
DON'T TOSS IT---RECYCLE IT! MAKE THE SUSTAINABLE CHOICE BY RECYCLING THIS FIXTURE AT END OF LIFE WITH A LICENSED RECYCLING PROVIDER.

PENDANT MOUNT INSTALLATION

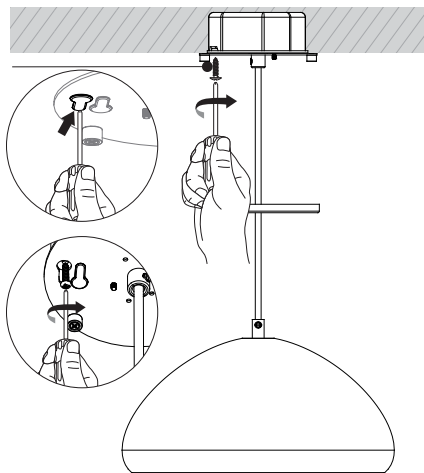
1. Feed fixture wires to make electrical splices in junction box. Use appropriate UL approved wire connectors as required by code to complete wiring.(Fig.15)

Fig: 15



2. Choose appropriate Slots as marked in Fig. 2, and secure to junction box (not supplied)(Fig. 16)

Fig: 16



PENDANT MOUNT INSTALLATION(cont'd)

3. Put the cover on in.(Fig. 18)

Fig: 17

