

Lighting for pathways of all shapes and sizes.

Three lumen packages with up to 360° coverage.

## bled® BOLLARDS

Now with new round dome option



Visit [rabweb.com](http://rabweb.com)  
to see which models  
are DLC listed.

**RAB**

Outdoor

# LED BOLLARDS



- Patented base mount design for super-sturdy installation
- Available in 4 configurations to provide 360°, 270°, 180° & 90° lighting patterns
- Durable construction and vandal-resistant polycarbonate lens
- Clean, elegant design available in dome, round or square and bronze or white
- 100,000-Hour LED lifespan



**New Dome Top** - Now available with classic dome top design.



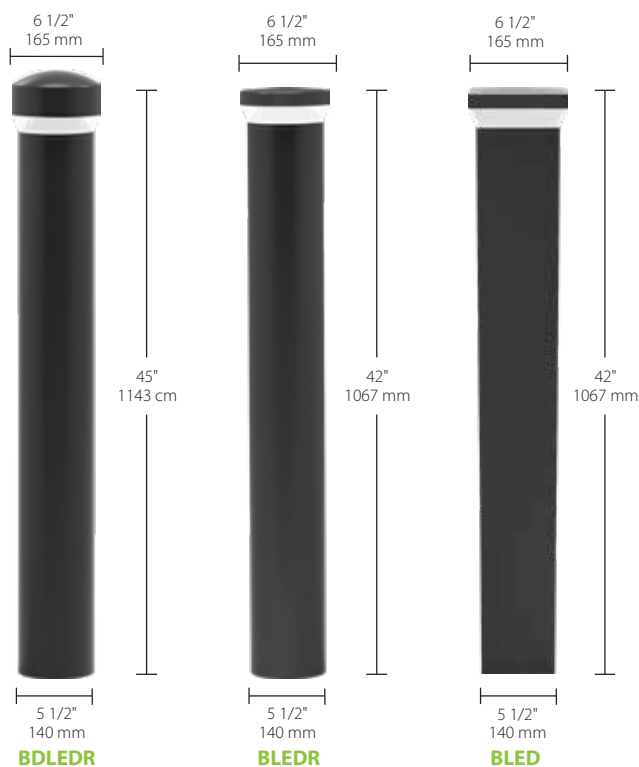
Four leveling screws provided for easy installation



Emergency 90 minute backup system. (24W only)

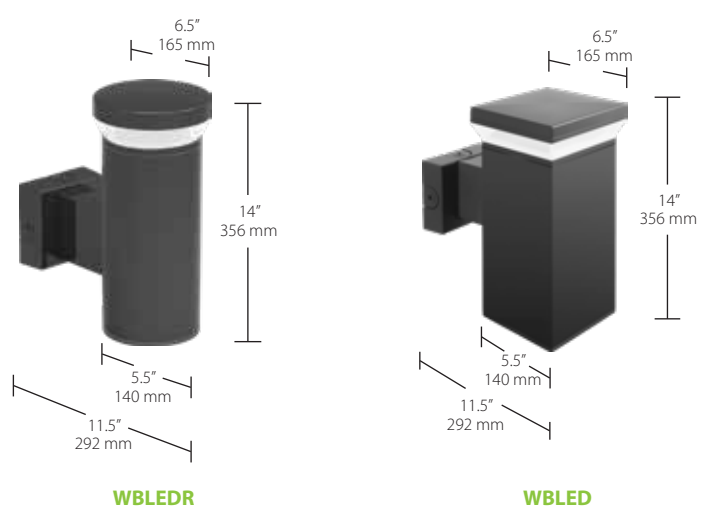
## Bollard Dimensions & Weight

**Weight:** Round & Square Bollards: 11.4 lbs.



## Architectural Sconce Dimensions & Weight

**Weight:** Round Wall Mount: 15 lbs / Square Wall Mounts: 14 lbs



## Bollard Accessory (ordered separately)

**BOLBASE24 RETRO**  
Retrofit base for mounting to existing installations



# Photometrics

## ROUND & ROUND DOME – Replaces up to 50W MH

### BLEDR24 & BDLEDR24

Color Temp	5000K	4000K	3000K
Input Watts	23	23	23
Output Lumens	2,724	2,815	2,607
Lumens Per Watt	121	122	115
Color Accuracy (CRI)	73	72	75

### BLEDR18, BDLEDR18 & WBLEDR18

Color Temp	5000K	4000K	3000K
Input Watts	17	18	17
Output Lumens	2,153	2,225	2,061
Lumens Per Watt	126	126	120
Color Accuracy (CRI)	73	72	75

### BLEDR12 & BDLEDR

Color Temp	5000K	4000K	3000K
Input Watts	12	12	12
Output Lumens	1,363	1,408	1,304
Lumens Per Watt	116	116	111
Color Accuracy (CRI)	73	72	75

## SQUARE – Replaces up to 50W MH

### BLED24

Color Temp	5000K	4000K	3000K
Input Watts	23	23	23
Output Lumens	2,724	2,815	2,607
Lumens Per Watt	121	122	115
Color Accuracy (CRI)	73	72	75

### BLED18 & WBLED18

Color Temp	5000K	4000K	3000K
Input Watts	17	18	17
Output Lumens	2,153	2,225	2,061
Lumens Per Watt	126	126	120
Color Accuracy (CRI)	73	72	75

### BLED12

Color Temp	5000K	4000K	3000K
Input Watts	12	12	12
Output Lumens	1,363	1,408	1,304
Lumens Per Watt	116	116	111
Color Accuracy (CRI)	73	72	75

## Bollard ordering information

Product Family / Shape	Wattage	Color Temp	Finish	Distribution	Voltage	Dimming	Backup
<b>BLED</b>							
<b>BLED</b> Square	<b>24</b> 24W	<b>Blank</b> 5000K	<b>Blank</b> Bronze	<b>Blank</b> Standard†	<b>Blank</b> (120-277V)	<b>Blank</b> None	<b>Blank</b> None
<b>BLEDR</b> Round	<b>18</b> 18W	<b>N</b> 4000K	<b>K</b> Black	<b>180</b> 180° (Available for 12W only)	<b>480</b> 480V*	<b>/D10</b> 0-10V Dimming	<b>/E</b> Battery Backup - Min Start Temp 32°F (0°C)**
<b>BDLEDR</b> Round Dome	<b>12</b> 12W	<b>Y</b> 3000K	<b>W</b> White				<b>/EC</b> Battery Backup / Cold Weather - Min Start Temp -4°F (-20°C)**

† Standard Distributions: 24W = 360°, 18W = 270°, 12W = 90°    \*480VAC available for 24W fixture versions - offered with /D10 dimming option as standard    \*\*Only for 24W, 120-277VAC fixture versions

## Sconce ordering information

Product Family / Shape	Wattage	Color Temp	Finish	Options
<b>WBLED(R)</b>	<b>18</b>			
<b>WBLED</b> Square		<b>Blank</b> 5000K	<b>Blank</b> Bronze	<b>Blank</b> No Photocell
<b>WBLEDR</b> Round		<b>N</b> 4000K		<b>/PCS</b> 120V Swivel Photocell
		<b>Y</b> 3000K		<b>/PCS2</b> 277V Swivel Photocell

## Specifications

---

**UL:** BLED, BDLEDR & BLEDR: Suitable for wet locations. Suitable for mounting within 4ft (1.2m) of the ground.

WBLED & WBLEDR: Suitable for wet locations.

**LEDs:** Multi-chip, long-life LEDs

**Lifespan:** 100,000-hour LED lifespan based on IES LM-80 results and TM-21 calculations

**24W Driver:** Constant Current, Class 2, 100-277V, 50/60 Hz, 4kV Surge Protection, 720mA, 120V: 0.26A, 208V: 0.18A, 240V: 0.15A, 277V: 0.14A

**18W Driver:** Constant Current, Class 2, 100-277V, 50/60 Hz, 4kV Surge Protection, 700mA, 120V: 0.24A, 208V: 0.18A, 240V: 0.15A, 277V: 0.12A

**12W Driver:** Constant Current, Class2, 100-277V, 50/60 Hz, 4kV Surge Protection, 700mA, 120V: 0.13A, 208V: 0.09A, 240V: 0.08A, 277V: 0.07A

**Cold Weather Starting:** Minimum starting temperature is -40°F / -40°C

**Housing:** Die-cast aluminum with extruded aluminum bollard shaft

**Lens:** Frosted, Vandal-resistant Polycarbonate

**Reflector:** Vacuum Metalized Polycarbonate

**Gaskets:** High-temperature silicone gaskets seal out moisture

**Mounting:** BLED, BDLEDR & BLEDR: Four (4) anchor bolts provided for concrete pad mounting. Internal base support has leveling screws.

WBLED & WBLEDR: Die-cast aluminum wall bracket with five 1/2" conduit openings with plugs.

**Finish:** Our environmentally friendly polyester powder coatings are formulated for high-durability and long-lasting color.

**Color Stability:** RAB LED color stability is measured based on LM-80 testing and is available upon request. Conforms to ANSI C78.377-2017.

**Green Technology:** Mercury and UV free, and RoHS compliant. Polyester powder coat finish formulated without the use of VOC or toxic heavy metals.

**IESNA LM-79 & LM-80 Testing:** RAB LED luminaires have been tested by an independent laboratory in accordance with IESNA LM-79 and LM-80, and have received the Department of Energy "Lighting Facts" label.

**Patents:** The design of the BLED® and WBLED™ are protected by patents in US, Canada & China.