

The versatile, low-cost, low-profile wall pack.

BRISK® — efficient & affordable LED light.



RAB® | Outdoor

RABLIGHTING.COM • 888 722-1000

BRISK® Wall Pack

- Offered in 4 wattages and 2 sizes
- Replaces up to 150W MH or up to 100W HPS
- DLC and DLC Premium listed models
- IP66 Rated
- 60,000-Hour LED lifespan



RAB's warranty is subject to all terms and conditions found at rablighting.com/warranty.



Visit rablighting.com to see which models are DLC or DLC Premium listed.

Specifications

UL Listing: Suitable for wet locations

LEDs: Long-life, high-efficacy, surface-mount LEDs

Driver: Constant Current, 50/60 Hz., 120-277V

5000K

Wattage	35W	22W	14W	9W
Output Lumens	5363	3460	1919	1212
Efficacy (lm/W)	165	172	149	139
Color Accuracy (CRI)	74	74	74	74

4000K

Wattage	35W	22W	14W	9W
Output Lumens	5165	3332	1839	1162
Efficacy (lm/W)	158	166	149	140
Color Accuracy (CRI)	72	72	72	72

3000K

Wattage	35W	22W	14W	9W
Output Lumens	4968	3205	1827	1154
Efficacy (lm/W)	154	161	145	136
Color Accuracy (CRI)	74	74	74	74

Note: Values are typical. +/- 10% tolerance.

Photocell: Optional 120-277V photocell available

Cold Weather Starting: The minimum starting temperature for BRISKM32L is -4° F (-20°C).

For all other models it is -22° F (-30°C).

Ambient Temperature: Suitable for use in 104° F (40° C) ambient temperatures

Housing: Precision die-cast aluminum

Reflector: Specular

Lens: Diffused acrylic

Mounting: Heavy-duty, die-cast wiring compartment with four (4) conduit entries (one top, two side, one back).

Gasket: Silicone foam

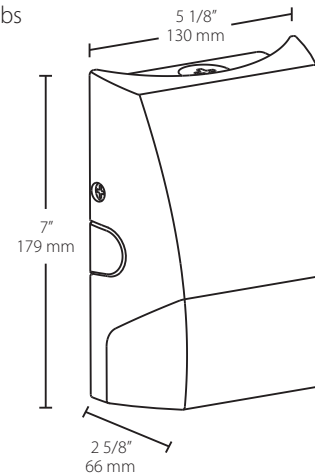
IP Rating: Ingress Protection rating of IP66 for dust and water

Finish: Chip and fade-resistant polyester powder coat finish

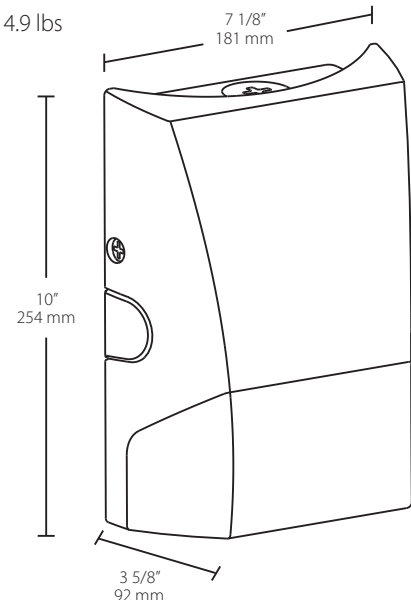
Green Technology: Mercury & UV free

Dimensions and weights

BRISKS
Weight: 2 lbs



BRISKM
Weight: 4.9 lbs



Ordering information

Product Family	Lumen Package/Wattage	CCT/CRI	Finish	Options
BRISK				
S11L	1100 lumens* (9W)	Blank 5000K / 70CRI	Blank Bronze	Blank No Photocell
S17L	1700 lumens* (14W)	740 4000K / 70CRI	W White	/PCU 120-277V Photocell
M32L	3200 lumens* (22W)	730 3000K / 70CRI		
M48L	4800 lumens* (35W)			

* Lumen outputs are nominal. Tolerance +/-10%. See specification sheet for more info.