

INSTRUCTIONS

COLUMN™ FIELD-ADJUSTABLE TRACK LIGHT INSTALLATION



RAB Lighting is committed to creating high-quality, affordable, well-designed and energy-efficient LED lighting and controls that make it easy for electricians to install and end users to save energy. We'd love to hear your comments. Please call the Marketing Department at 888-RAB-1000 or email: marketing@rablighting.com

**** DON'T TOSS IT—RECYCLE IT! MAKE THE SUSTAINABLE CHOICE BY RECYCLING THIS FIXTURE AT END OF LIFE WITH A LICENSED RECYCLING PROVIDER. ****



COL6 (Single Head)



COL12 (2 Heads)



COL18 (3 heads)

IMPORTANT

READ CAREFULLY BEFORE INSTALLING FIXTURE. RETAIN THESE INSTRUCTIONS FOR FUTURE REFERENCE.

RAB fixtures must be wired in accordance with the National Electrical Code and all applicable local codes. Proper grounding is required for safety. THIS PRODUCT MUST BE INSTALLED IN ACCORDANCE WITH THE APPLICABLE INSTALLATION CODE BY A PERSON FAMILIAR WITH THE CONSTRUCTION AND OPERATION OF THE PRODUCT AND THE HAZARDS INVOLVED.

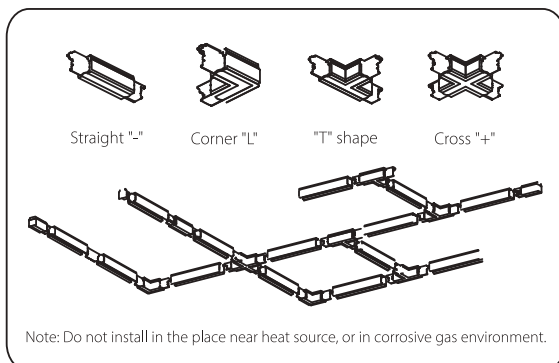
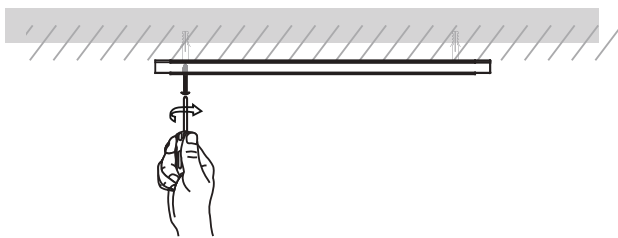
WARNING:

- Make certain power is OFF before installing or maintaining fixture. No user serviceable parts inside.
- Fixture is suitable for dry location, Recessed Mount versions suitable for damp locations.
- Fixture must be mounted a minimum of 4ft above ground level.
- Fixtures are 120V ONLY.
- **Color Temperature should be selected prior to installation. Do NOT switch settings with power on.**

TRACK MOUNT INSTALLATION

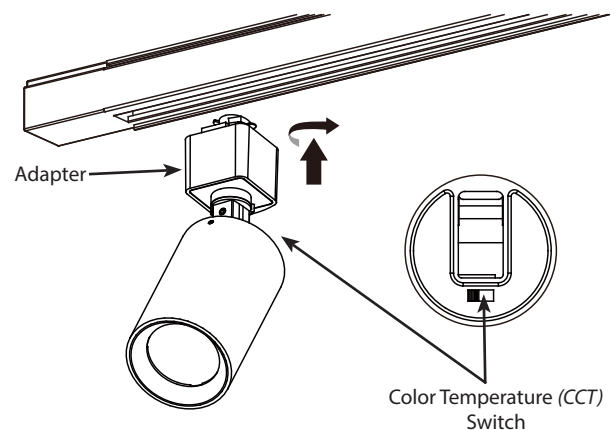
1. Secure the track system on the ceiling (Fig. 1).

Fig: 1



2. Manually select preferred **Color Temperature (CCT)** prior to mounting, see Fig. 15. Secure the **Adapter** into track rail (Fig. 2).

Fig: 2



INSTRUCTIONS

COLUMN™ FIELD-ADJUSTABLE TRACK LIGHT INSTALLATION



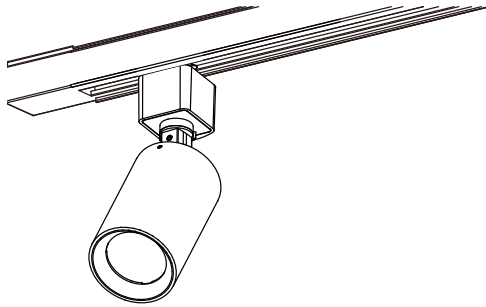
RAB Lighting is committed to creating high-quality, affordable, well-designed and energy-efficient LED lighting and controls that make it easy for electricians to install and end users to save energy. We'd love to hear your comments. Please call the Marketing Department at 888-RAB-1000 or email: marketing@rablighting.com

**** DON'T TOSS IT—RECYCLE IT! MAKE THE SUSTAINABLE CHOICE BY RECYCLING THIS FIXTURE AT END OF LIFE WITH A LICENSED RECYCLING PROVIDER. ****

TRACK MOUNT INSTALLATION (cont'd)

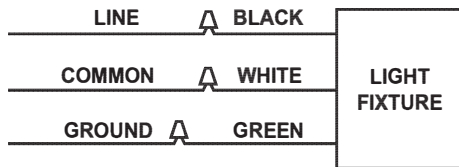
3. Manually adjust the **Aiming Angle** as desired (Fig. 3). Head rotates 350° and tilts up to 70°.

Fig: 3



WIRING DIAGRAM

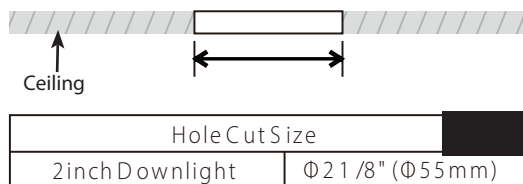
Fig: 4



RECESSED MOUNT INSTALLATION

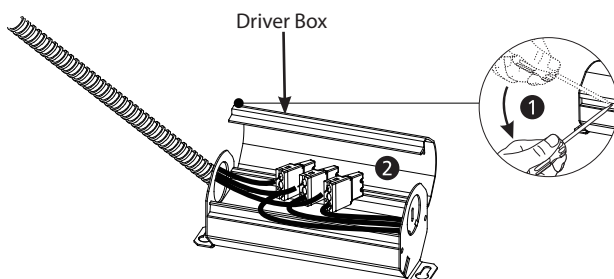
1. Cut hole in the ceiling according to provided **Cut-Out Template** (Fig. 5).

Fig: 5



2. Pry the **Driver Box** open using a screwdriver, connect wires correspondingly as shown in Fig. 6.

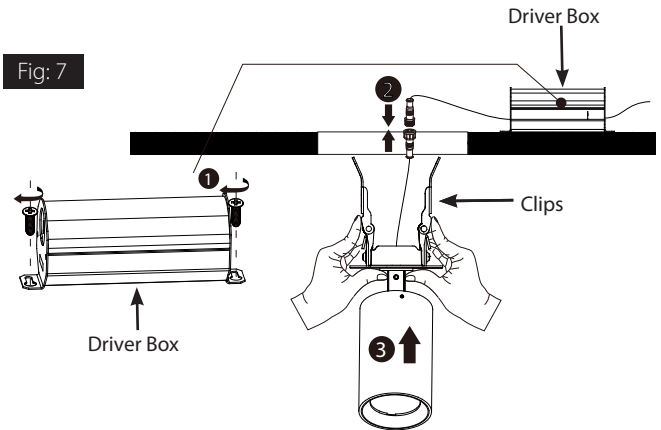
Fig: 6



RECESSED MOUNT INSTALLATION (cont'd)

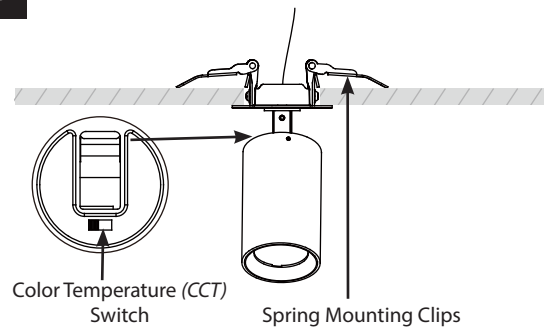
3. Close the **Driver Box** firmly and place **Driver** in the ceiling. Connect male/female connectors to attach the fixture to the **Driver Box**. Push fixture into the ceiling opening with **Clips** upright (Fig. 7).

Fig: 7



4. Manually select preferred **Color Temperature (CCT)** prior to mounting, see Fig. 15. Release the **Spring Mounting Clips** to secure Fixture firmly (Fig. 8)

Fig: 8



INSTRUCTIONS

COLUMN™ FIELD-ADJUSTABLE TRACK LIGHT INSTALLATION



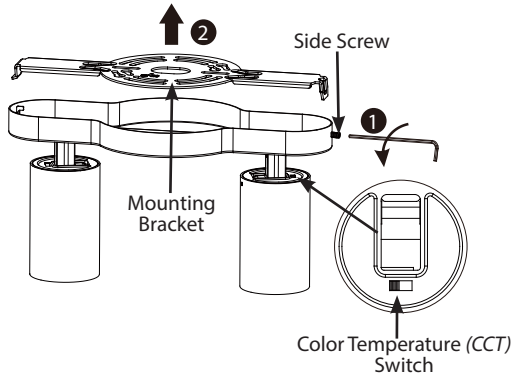
RAB Lighting is committed to creating high-quality, affordable, well-designed and energy-efficient LED lighting and controls that make it easy for electricians to install and end users to save energy. We'd love to hear your comments. Please call the Marketing Department at 888-RAB-1000 or email: marketing@rablighting.com

**** DON'T TOSS IT—RECYCLE IT! MAKE THE SUSTAINABLE CHOICE BY RECYCLING THIS FIXTURE AT END OF LIFE WITH A LICENSED RECYCLING PROVIDER. ****

SURFACE MOUNT INSTALLATION

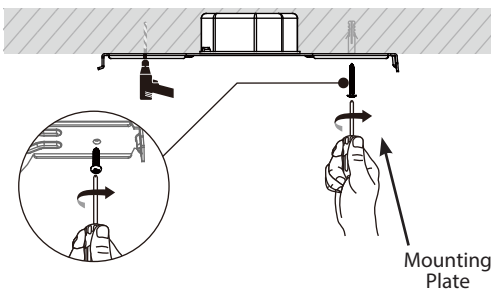
1. Loosen the **Side Screw** to detach the **Mounting Bracket**.
Select desired **Color Temperature (CCT)** as shown in Fig. 9 and 15.

Fig: 9



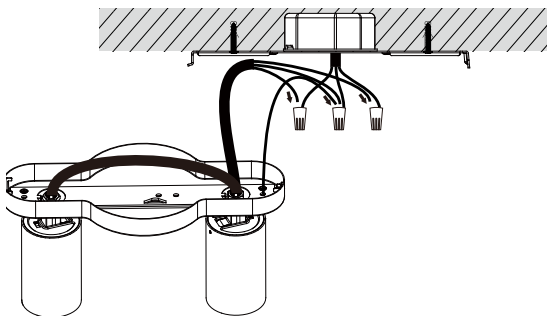
2. Drill holes at the marked positions. Attach **Mounting Bracket** with appropriate hardware (Fig. 10).

Fig: 10



3. Thread the wires through the **Mounting Bracket**. Connect the wires to the corresponding terminals (Fig. 11).

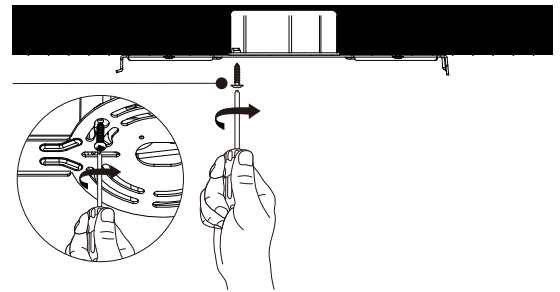
Fig: 11



LINE	▲	BLACK	LIGHT FIXTURE
COMMON	▲	WHITE	
GROUND	▲	GREEN	

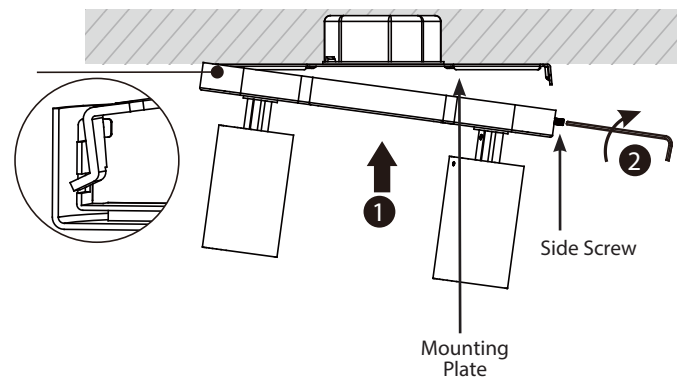
4. Screw the **Mounting Bracket** into both junction box and the ceiling using appropriate hardware (Fig. 12).

Fig: 12



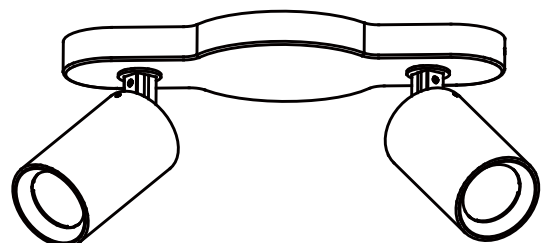
5. Place the fixture onto the **Mounting Bracket** and secure it by retightening **Side Screw** (Fig. 13)

Fig: 13



6. Manually adjust the **Aiming Angle** as needed (Fig. 14). Head rotates 350° and tilts up to 70°.

Fig: 14



INSTRUCTIONS

COLUMN™ FIELD-ADJUSTABLE TRACK LIGHT INSTALLATION



RAB Lighting is committed to creating high-quality, affordable, well-designed and energy-efficient LED lighting and controls that make it easy for electricians to install and end users to save energy. We'd love to hear your comments. Please call the Marketing Department at 888-RAB-1000 or email: marketing@rablighting.com

**** DON'T TOSS IT—RECYCLE IT! MAKE THE SUSTAINABLE CHOICE BY RECYCLING THIS FIXTURE AT END OF LIFE WITH A LICENSED RECYCLING PROVIDER. ****

FIELD ADJUSTMENT

Color Temperature (CCT) Selection:

This product is equipped with 3000K/4000K/5000K (CCT) Color Temperature selection.

Power (Wattage)

COL6, COL6RM, COL6SM / Single Head - 6W
COL12RM, COL12SM / 2 Heads - 6W each
COL18RM, COL18SM / 3 Heads - 6W each

Follow instructions below to change **Color Temperature (CCT)** from factory settings:
4000K

1. Locate the **Selector Switches** as shown in Fig. 2, 8 & 9.
2. Select **Color Temperature** by sliding the respective switch to the desired setting.

CLEANING & MAINTENANCE

CAUTION: Be sure fixture temperature is cool enough to touch. Do not clean or maintain while fixture is energized.

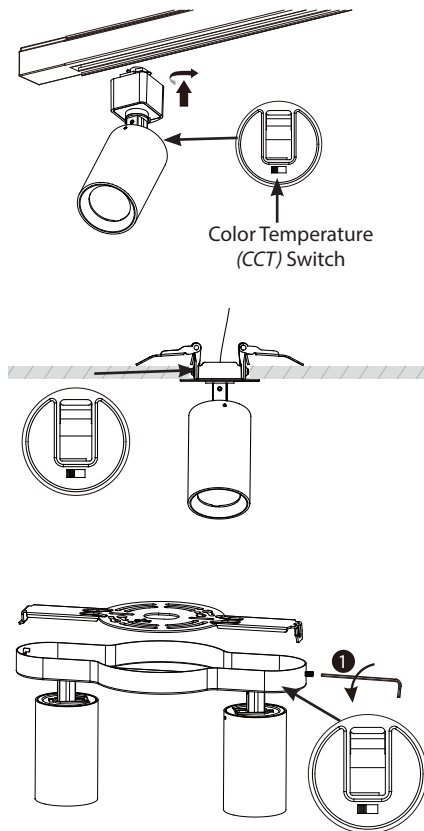
1. Clean lens with non-abrasive cleaning solution.
2. Do not open the fixture to clean the LEDs. Do not touch the LEDs.

TROUBLESHOOTING

1. Check that the line voltage at the fixture is correct. Refer to wiring directions.
2. Is the fixture grounded properly?

Note: These instructions do not cover all details or variations in equipment nor do they provide for every possible situation during installation, operation or maintenance.

Fig: 15



© 2026 RAB LIGHTING INC.

Easy Answers

rablighting.com
Visit our website for product info

Tech Help Line
Call our experts: 888 722-1000

e-mail
Answered promptly - tech@rablighting.com

Free Lighting Layouts
Answered online or by request