

# Commercial Bulbs



## E26 Base



A19\* - 8.5W    A21\* - 16.5W    A21 - 17W    A23 - 24W    PS25 - 32W

PROJECT: \_\_\_\_\_

DATE: \_\_\_\_\_

TYPE: \_\_\_\_\_

PREPARED BY: \_\_\_\_\_



(Applies to bulbs with E26 base, excluded A21-16.5W)

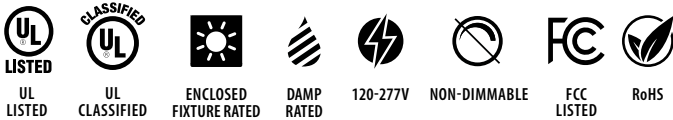
(Applies to PS30 only)

## EX39 Base



A23 - 24W    PS25 - 32W    PS30 - 36W

## Commercial Grade Bulbs to Replace HID UL Type B, 120-277V



### KEY FEATURES

- Replacement for high-output incandescent or Metal Halide and High Pressure Sodium HID lamps
- In HID retrofit applications - Integral driver enables lamp to be wired directly to line voltage. **Must bypass ballast**
- Ideal for post top, bollards, and outdoor corridor lighting
- Environmentally friendly, no mercury used
- **Universal Voltage** 120 through 277V
- Rated for use in **open and enclosed** fixtures in **dry or damp** locations
- **5-Year, No-Compromise Warranty**  
\* A19 and A21-16.5W have 3-Year, No-Compromise Warranty

### PERFORMANCE

Catalog Number	Equivalency	Input Wattage	Lumen lm/W	Efficacy	Color Temperature	CRI	L70 Lifespan	DLC ID	Energy Star ID	Title 20 Compliant	
A19-8.5-E26-827-ND 120-277V	60W Incandescent	8.5W	800	100	2700K	80	25,000	N/A	2340608	No	
A19-8.5-E26-830-ND 120-277V		8.5W	800	100	3000K	80	25,000		2340609		
A19-8.5-E26-840-ND 120-277V		8.5W	840	105	4000K	80	25,000		2340611		
A19-8.5-E26-850-ND 120-277V		8.5W	840	105	5000K	80	25,000		2340613		
A21-16.5-E26-827-ND	125W Metal Halide	16.5W	2100	127	2700K	80	25,000		2366323		
A21-16.5-E26-830-ND		16.5W	2200	133	3000K	80	25,000		2366324		
A21-16.5-E26-840-ND		16.5W	2250	136	4000K	80	25,000		2366325		
A21-16.5-E26-850-ND		16.5W	2300	139	5000K	80	25,000		2366326		
A21-16.5-E26-940-ND-UNV		16.5W	2000	121	4000K	90	25,000		N/A		Yes
A21-16.5-E26-950-ND-UNV		16.5W	2000	121	5000K	90	25,000		N/A		Yes
A21-17-E26-830-ND 120-277V	125W Metal Halide	17W	2000	118	3000K	80	40,000		2341117		No
A21-17-E26-840-ND 120-277V		17W	2050	121	4000K	80	40,000		2341120		
A21-17-E26-850-ND 120-277V		17W	2050	121	5000K	80	40,000	2341121			
A23-24-E26-830-ND 120-277V	200W Metal Halide	24W	3010	125	3000K	80	40,000	2341112			
A23-24-E26-840-ND 120-277V		24W	3050	127	4000K	80	40,000	2341114			
A23-24-E26-850-ND 120-277V		24W	3050	127	5000K	80	40,000	2341116			

## PERFORMANCE (CONT.)

Catalog Number	Equivalency	Input Wattage	Lumen	Efficacy	Color Temperature	CRI	L70 Lifespan	DLC ID	Energy Star ID	Title 20 Compliant	
A23-24-EX39-830-ND 120-277V	200W Metal Halide	24W	3000	125	3000K	80	50,000	N/A	N/A	No	
A23-24-EX39-840-ND 120-277V		24W	3050	127	4000K	80	50,000				
A23-24-EX39-850-ND 120-277V		24W	3050	127	5000K	80	50,000				
PS25-32-E26-830-ND 120-277V	300W Incandescent	32W	4000	125	3000K	80	50,000		2356049		
PS25-32-E26-840-ND 120-277V		32W	4100	128	4000K	80	50,000		2356050		
PS25-32-E26-850-ND 120-277V		32W	4100	128	5000K	80	50,000		2356051		
PS25-32-EX39-830-ND 120-277V	300W Incandescent	32W	4000	125	3000K	80	50,000		N/A		N/A
PS25-32-EX39-840-ND 120-277V		32W	4100	128	4000K	80	50,000				
PS25-32-EX39-850-ND 120-277V		32W	4100	128	5000K	80	50,000				
PS30-36-EX39-830-ND 120-277V	175W Metal Halide	36W	4900	136	3000K	80	50,000	PLH4WPXZ3T3J			
PS30-36-EX39-840-ND 120-277V		36W	5100	142	4000K	80	50,000	PLTNRDWZHGK			
PS30-36-EX39-850-ND 120-277V		36W	5100	142	5000K	80	50,000	PL89F9KHXXK			

## TECHNICAL SPECIFICATIONS

### CONSTRUCTION

#### Product Type

A-line commercial bulbs

#### Finish

White

#### Beam Angle

230°

#### Lens Finish

Frosted

Bulb Shape	Wattage	Base Type	Endcap Material	Enclosure Material
A19	8.5W	E26	Nickel plated brass	Plastic
A21	16.5W	E26	Aluminum	Polycarbonate
A21	17W	E26	Die-cast aluminum	Polycarbonate & metal heat sink
A23	24W	E26, EX39		
PS25	32W	E26, EX39		
PS30	36W	EX39	Nickel plated brass	Die-cast aluminum

### COMPLIANCE

#### Safety Listing

UL Listed, UL Classified\*

\*A21-16.5W is excluded

#### Environment

Suitable for use in dry and damp environments.

#### Fixture Rating

Suitable for use in enclosed fixtures

#### Energy Star Approved

This product is ENERGY STAR® Version 2.2 Certified.

(Applies to bulbs with E26 base, excluded A21-16.5W)

#### DLC Listed

This product is on the Design Lights Consortium (DLC) Qualified Products List and is eligible for rebates from DLC Member Utilities. Designed to meet DLC 5.1 requirements. (Applies to PS30 only)

#### T20 Compliant

Can be used to conform with the requirements of California Title 20.

(Applies to A21-16.5W only)

#### California Energy Commission (CEC) Status

Lawful for Sales in California

(Applies to A21-16.5W only)

#### RoHS

Mercury and UV free. RoHS-compliant components.

#### FCC

Complies with Part 15 of the FCC Rules

## TECHNICAL SPECIFICATIONS

### ELECTRICAL

#### Dimmable

No, not suggested for dimming applications

#### Power Factor

>0.9

(A19 and A21-16.5W bulbs: PF >0.7)

#### Input Voltage

120-277V

#### Operating Frequency

50-60 Hz

#### Operating Temperature

-4°F to 113°F (-20°C to 45°C)

(A21-16.5W: -13°F to 113°F (-25°C to 45°C))

### LED Characteristics

#### R9 Value

High color performance with R9 no less than 0

#### Color Consistency

A21-16.5W: <4-step MacAdam Ellipse binning to achieve consistent fixture-to-fixture color

Others: <7-step MacAdam Ellipse binning to achieve consistent fixture-to-fixture color

#### Color Stability\*

LED color temperature is warranted to shift no more than 200K in color temperature over a 5-year period

#### Color Uniformity\*

RAB's range of Correlated Color Temperature follows the guidelines of the American National Standard for Specifications for the Chromaticity of Solid State Lighting (SSL) Products, ANSI C78.377-2017.

*\*A19 and A21-16.5W are excluded*

### INSTALLATION

#### Installation Method:

If replacing HID Lamps, must bypass the ballast.

### OTHER

#### Warranty

RAB warrants that our LED products will be free from defects in materials and workmanship for a period of three (3)\*\* years from the date of delivery to the end user, including coverage of light output, color stability, driver performance and fixture finish.

RAB's warranty is subject to all terms and conditions found at [rablighting.com/warranty](http://rablighting.com/warranty).

#### Buy American Act Compliance

RAB values USA manufacturing! Upon request, RAB may be able to manufacture this product to be compliant with the Buy American Act (BAA). Please contact customer service to request a quote for the product to be made BAA compliant.

#### Note

All values are typical (tolerance +/- 10%)

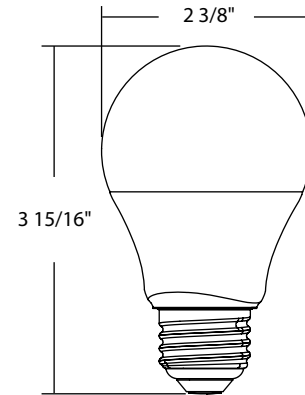
*\*\*A19 and A21-16.5W are 3 years*

©2023 RAB Lighting Inc. 888 722-1000 [rablighting.com](http://rablighting.com)

## DIMENSIONS

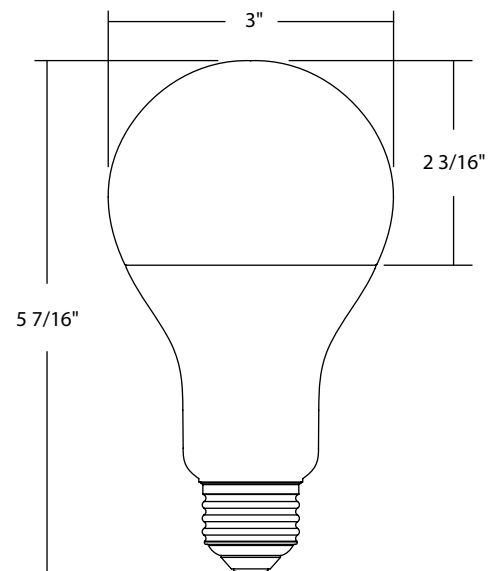
### 8.5W A19-E26

Weight: 0.1 lb



### 16.5W A21 - E26

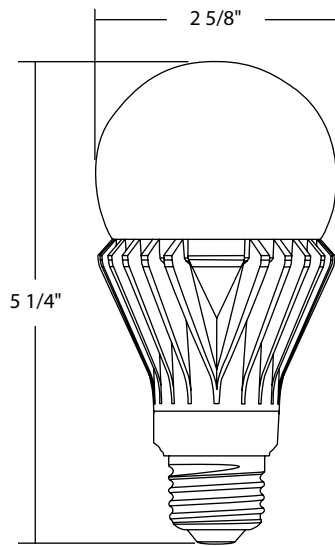
Weight: 0.25 lb



## DIMENSIONS (CONT.)

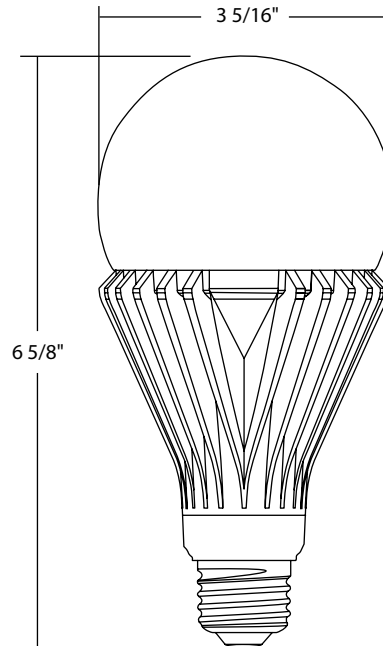
17W A21 - E26

Weight: 0.42 lb



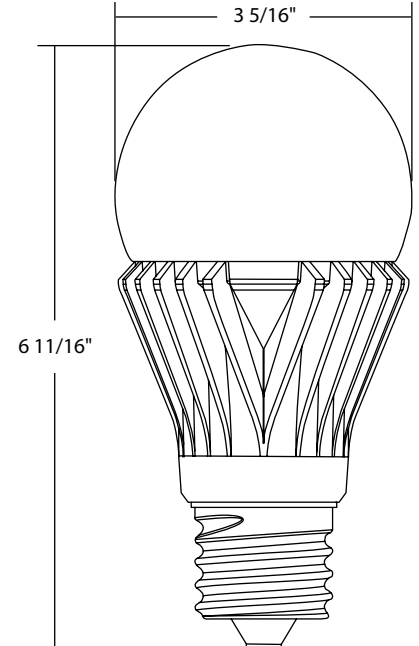
24W A23 - E26

Weight: 0.71 lb



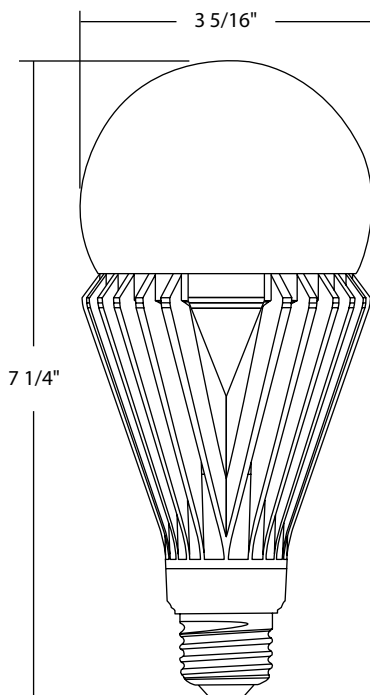
24W A23 - EX39

Weight: 0.75 lb



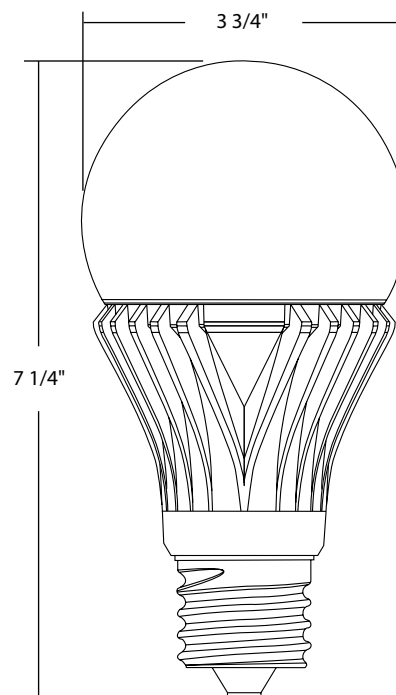
32W PS25 - E26

Weight: 0.96 lb



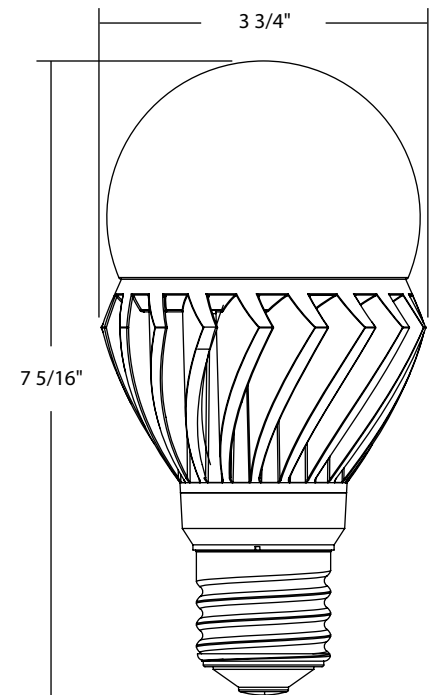
32W PS25 - EX39

Weight: 1.11 lb



36W PS30 - EX39

Weight: 1.41 lb



## ORDERING INFO

Catalog Number	Model Number (DLC/Energy Star)	UPC	Case Pack
A19-8.5-E26-827-ND 120-277V	A10013	019813833835	12
A19-8.5-E26-830-ND 120-277V	A10014	019813833842	12
A19-8.5-E26-840-ND 120-277V	A10015	019813833859	12
A19-8.5-E26-850-ND 120-277V	A10016	019813833866	12
A21-16.5-E26-827-ND	A10055(A21-16.5-E26-827-ND)	192552000079	12
A21-16.5-E26-830-ND	A10056(A21-16.5-E26-830-ND)	192552000086	12
A21-16.5-E26-840-ND	A10057(A21-16.5-E26-840-ND)	192552000093	12
A21-16.5-E26-850-ND	A10058(A21-16.5-E26-850-ND)	192552000109	12
A21-16.5-E26-940-ND-UNV	A10112(A21-16.5-E26-940-ND-UNV)	192552025409	12
A21-16.5-E26-950-ND-UNV	A10113(A21-16.5-E26-950-ND-UNV)	192552025416	12
A21-17-E26-830-ND 120-277V	A10017	019813833873	12
A21-17-E26-840-ND 120-277V	A10018	019813833880	12
A21-17-E26-850-ND 120-277V	A10019	019813833897	12
A23-24-E26-830-ND 120-277V	A10020	019813833903	12
A23-24-E26-840-ND 120-277V	A10021	019813833910	12
A23-24-E26-850-ND 120-277V	A10022	019813833927	12
A23-24-EX39-830-ND 120-277V	A10023	019813833934	12
A23-24-EX39-840-ND 120-277V	A10024	019813833941	12
A23-24-EX39-850-ND 120-277V	A10025	019813833958	12
PS25-32-E26-830-ND 120-277V	A10026	019813833965	12
PS25-32-E26-840-ND 120-277V	A10027	019813833972	12
PS25-32-E26-850-ND 120-277V	A10028	019813833989	12
PS25-32-EX39-830-ND 120-277V	A10029	019813833996	12
PS25-32-EX39-840-ND 120-277V	A10030	019813834009	12
PS25-32-EX39-850-ND 120-277V	A10031	019813834016	12
PS30-36-EX39-830-ND 120-277V	P10023(PS30-36-EX39-830-ND 120-277V)	192552000000	6
PS30-36-EX39-840-ND 120-277V	P10024(PS30-36-EX39-840-ND 120-277V)	192552000017	6
PS30-36-EX39-850-ND 120-277V	P10025(PS30-36-EX39-850-ND 120-277V)	192552000024	6

## ORDERING MATRIX

Family	Wattage	Base Type	CRI/Color Temp	Dimmable	Voltage
<b>A19</b>	8.5 8.5W	<b>E26</b> Edison	950 90 CRI, 5000K	<b>ND</b> Non-Dimmable	120-277V 120-277V
<b>A21</b>	16.5 16.5W 17 17W		940 90 CRI, 4000K 850 80 CRI, 5000K 840 80 CRI, 4000K 830 80 CRI, 3000K 827* 80 CRI, 2700K		-UNV 120-277V, T20 Blank 120-277V

Ordering Matrix Notes  
 \*Only for A19  
 16.5W only available in 90CRI

Family	Wattage	Base Type	CRI/Color Temp	Dimmable	Voltage
<b>A23</b>	24 24W	<b>E26</b> Edison	850 80 CRI, 5000K	<b>ND</b> Non-Dimmable	120-277V 120-277V
<b>PS25</b>	32 32W	<b>EX39</b> Extended Mogul	840 80 CRI, 4000K		
<b>PS30</b>	36 36W		830 80 CRI, 3000K		