

INSTRUCTIONS

CYLINDER WALL MOUNT INSTALLATION



RAB Lighting is committed to creating high-quality, affordable, well-designed and energy-efficient LED lighting and controls that make it easy for electricians to install and end users to save energy. We'd love to hear your comments. Please call the Marketing Department at 888-RAB-1000 or email: marketing@rablighting.com

IMPORTANT

READ CAREFULLY BEFORE INSTALLING FIXTURE. RETAIN THESE INSTRUCTIONS FOR FUTURE REFERENCE.

RAB fixtures must be wired in accordance with the National Electrical Code and all applicable local codes. Proper grounding is required for safety. THIS PRODUCT MUST BE INSTALLED IN ACCORDANCE WITH THE APPLICABLE INSTALLATION CODE BY A PERSON FAMILIAR WITH THE CONSTRUCTION AND OPERATION OF THE PRODUCT AND THE HAZARDS INVOLVED.

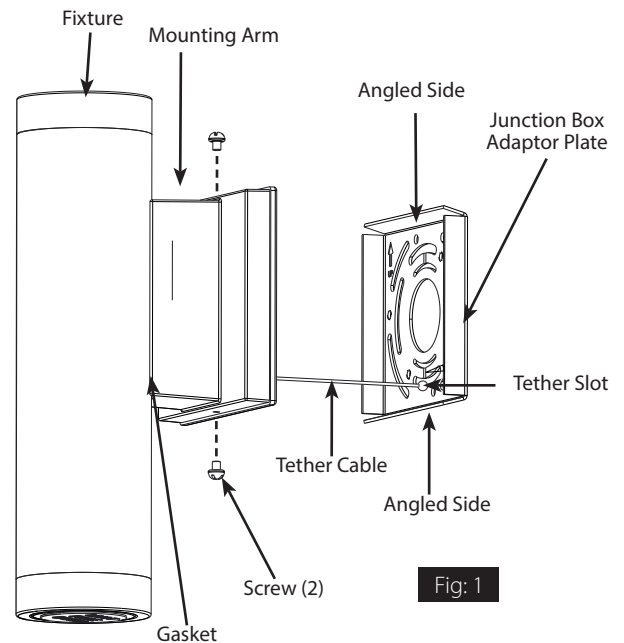
WARNING:

- Make certain power is OFF before installing or maintaining fixture. No user serviceable parts inside.
- Fixture is suitable for wet location
- Fixture must be mounted a minimum of 4 feet above ground level.

WALL MOUNT

(Important: For wet locations, Gasket must be used.)

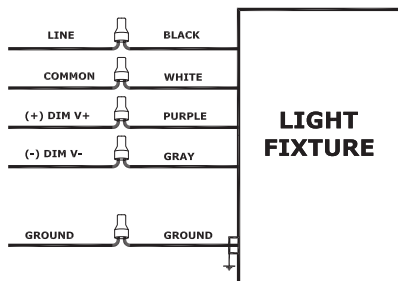
1. Remove Screws (2) from the Fixture Mounting Arm as shown in Fig. 1.
2. Mount Junction Box Adaptor Plate to junction box (supplied by other) with Angled Sides aligned with Mounting Arm screw holes.
3. Suspend the Fixture with pre-installed Tether Cable, using Tether Slot in Junction Box Adaptor Plate. Connect supply wires to Fixture wires. Use appropriate UL approved wire connectors as required by code to complete wiring.
4. Mount the Fixture to the Junction Box Adaptor Plate. Replace Screws (2) to secure Fixture to Junction Box Adaptor Plate.



0-10V DIMMABLE WIRING

Universal voltage driver permits operation at 120V thru 277V, 50 or 60 Hz. For 0-10V Dimming, follow the wiring directions as shown in Fig. 2.

1. Connect the black fixture lead to the LINE supply lead.
2. Connect the white fixture lead to the COMMON supply lead.
3. Connect the GROUND wire from fixture to supply ground.
4. Connect the purple fixture lead to the (V+) DIM lead.
5. Connect the gray fixture lead to the (V-) DIM lead.



CLEANING & MAINTENANCE

CAUTION: Be sure fixture temperature is cool enough to touch. Do not clean or maintain while fixture is energized.

1. Lens can be washed only after removing from fixture and only in a solution of warm water and any mild, non-abrasive household detergent, rinsed with clean water and wiped dry. Do not use chemicals to clean Lens or fixture.
2. Do not open fixture to clean the LED. Do not touch the LED.

TROUBLESHOOTING

1. Check that the line voltage at the fixture is correct.
2. Be sure the fixture is grounded properly.

Note: These instructions do not cover all details or variations in equipment nor do they provide for every possible situation during installation, operation or maintenance.

INSTRUCTIONS

CYLINDER SURFACE MOUNT INSTALLATION



RAB Lighting is committed to creating high-quality, affordable, well-designed and energy-efficient LED lighting and controls that make it easy for electricians to install and end users to save energy. We'd love to hear your comments. Please call the Marketing Department at 888-RAB-1000 or email: marketing@rablighting.com

IMPORTANT

READ CAREFULLY BEFORE INSTALLING FIXTURE. RETAIN THESE INSTRUCTIONS FOR FUTURE REFERENCE.

RAB fixtures must be wired in accordance with the National Electrical Code and all applicable local codes. Proper grounding is required for safety. THIS PRODUCT MUST BE INSTALLED IN ACCORDANCE WITH THE APPLICABLE INSTALLATION CODE BY A PERSON FAMILIAR WITH THE CONSTRUCTION AND OPERATION OF THE PRODUCT AND THE HAZARDS INVOLVED.

WARNING:

- Make certain power is OFF before installing or maintaining fixture. No user serviceable parts inside.
- Fixture is suitable for wet location for outdoor applications on ceiling and covered canopies.
- Fixture must be mounted a minimum of 4 feet above ground level.
- Fixture supports 120V Triac and 0-10V Dimming.

SURFACE MOUNT

(Important: For wet locations, caulk the seam between the fixture and ceiling.)

1. Remove Screws (2) from the side of the Canopy as shown in Fig. 1.
2. Mount Junction Box Adaptor Plate to junction box (supplied by others) with screws.
3. Suspend the Fixture with pre-installed Tether Cable, using Tether Slot in Junction Box Adaptor Plate. Connect supply wires to Fixture wires. Use appropriate UL approved wire connectors as required by code to complete wiring.
4. Press Canopy to Junction Box Adaptor Plate and replace Screws (2) to secure the Fixture to the Junction Box Adaptor Plate.

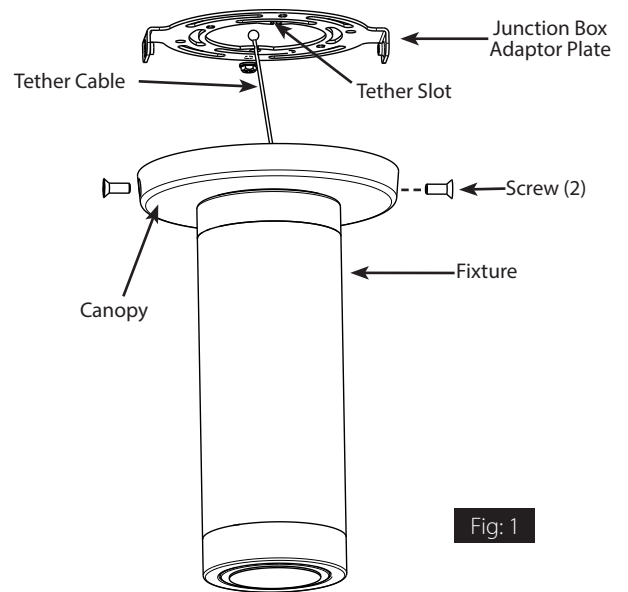


Fig: 1

0-10V DIMMABLE WIRING

Universal voltage driver permits operation at 120V thru 277V, 50 or 60 Hz. For 0-10V Dimming, follow the wiring directions as shown in Fig. 2.

1. Connect the black fixture lead to the LINE supply lead.
2. Connect the white fixture lead to the COMMON supply lead.
3. Connect the GROUND wire from fixture to supply ground.
4. Connect the purple fixture lead to the (V+) DIM lead.
5. Connect the gray fixture lead to the (V-) DIM lead.

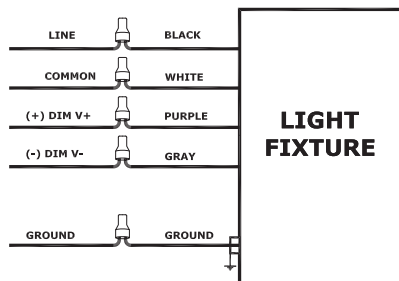


Fig: 2

CLEANING & MAINTENANCE

CAUTION: Be sure fixture temperature is cool enough to touch. Do not clean or maintain while fixture is energized.

1. Lens can be washed only after removing from fixture and only in a solution of warm water and any mild, non-abrasive household detergent, rinsed with clean water and wiped dry. Do not use chemicals to clean Lens or fixture.
2. Do not open fixture to clean the LED. Do not touch the LED.

TROUBLESHOOTING

1. Check that the line voltage at the fixture is correct.
2. Be sure the fixture is grounded properly.

Note: These instructions do not cover all details or variations in equipment nor do they provide for every possible situation during installation, operation or maintenance.

INSTRUCTIONS

CYLINDER PENDANT CORD/STEM INSTALLATION



RAB Lighting is committed to creating high-quality, affordable, well-designed and energy-efficient LED lighting and controls that make it easy for electricians to install and end users to save energy. We'd love to hear your comments. Please call the Marketing Department at 888-RAB-1000 or email: marketing@rablighting.com

IMPORTANT

READ CAREFULLY BEFORE INSTALLING FIXTURE. RETAIN THESE INSTRUCTIONS FOR FUTURE REFERENCE.

RAB fixtures must be wired in accordance with the National Electrical Code and all applicable local codes. Proper grounding is required for safety. THIS PRODUCT MUST BE INSTALLED IN ACCORDANCE WITH THE APPLICABLE INSTALLATION CODE BY A PERSON FAMILIAR WITH THE CONSTRUCTION AND OPERATION OF THE PRODUCT AND THE HAZARDS INVOLVED.

WARNING:

- Make certain power is OFF before installing or maintaining fixture. No user serviceable parts inside.
- Fixture is suitable for wet location for outdoor applications on ceiling and covered canopies.
- Fixture must be mounted a minimum of 4 feet above ground level.
- Fixture supports 120V Triac and 0-10V Dimming.

PENDANT CORD / PENDANT STEM MOUNT

(Important: For wet locations, caulk the seam between the fixture and ceiling. For Cord to Stem conversion see Figs. 4 and 5)

1. Remove Screws (2) from the side of the Canopy as shown in Fig. 1 & 2.
2. Mount Junction Box Adaptor Plate to junction box (supplied by others) with screws.
3. Suspend the Fixture with pre-installed Tether Cable, using Tether Slot in Junction Box Adaptor Plate. Connect supply wires to Fixture wires. Use appropriate UL approved wire connectors as required by code to complete wiring.
4. Press Canopy to Junction Box Adaptor Plate and replace Screws (2) to secure the Fixture to the Junction Box Adaptor Plate.

0-10V DIMMABLE WIRING

Universal voltage driver permits operation at 120V thru 277V, 50 or 60 Hz. For 0-10V Dimming, follow the wiring directions as shown in Fig. 3.

1. Connect the black fixture lead to the LINE supply lead.
2. Connect the white fixture lead to the COMMON supply lead.
3. Connect the GROUND wire from fixture to supply ground.
4. Connect the purple fixture lead to the (V+) DIM lead.
5. Connect the gray fixture lead to the (V-) DIM lead.

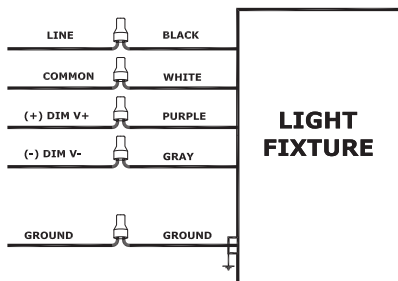


Fig: 3

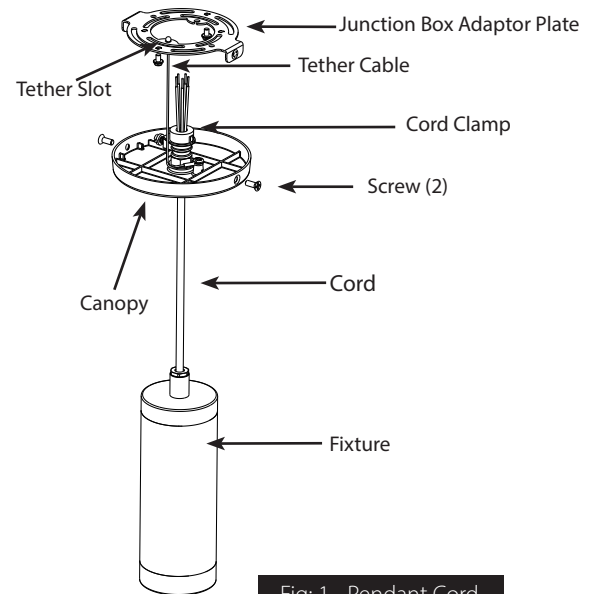


Fig: 1 - Pendant Cord

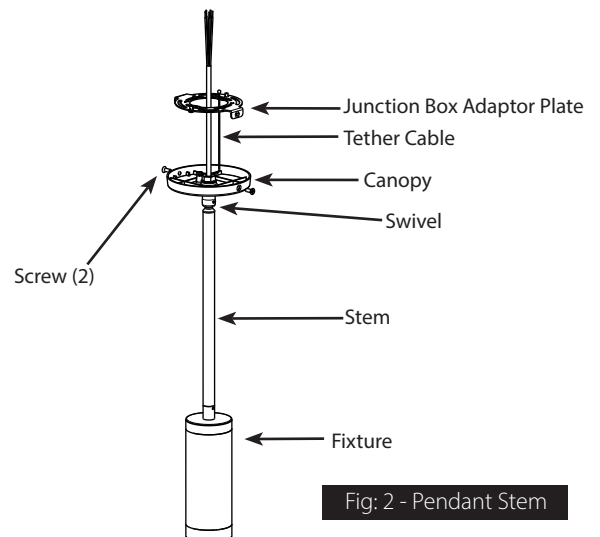


Fig: 2 - Pendant Stem

INSTRUCTIONS

CYLINDER PENDANT CORD/STEM INSTALLATION



RAB Lighting is committed to creating high-quality, affordable, well-designed and energy-efficient LED lighting and controls that make it easy for electricians to install and end users to save energy. We'd love to hear your comments. Please call the Marketing Department at 888-RAB-1000 or email: marketing@rablighting.com

CORD TO STEM CONVERSION

1. Remove and discard the **Cord Clamp**, **Canopy Cap** and **Gland Nut** as shown in **Fig. 4**.
2. Insert **Cord** through **Stem** section as shown in **Fig. 5**. Screw **Stem** section to **Fixture**. Add up to 3 more **Stem** sections as required. Each Stem Section is 12" long.
3. Add the **Swivel**.
4. Thread **Cord** through **Bolt Nut** and thread **Bolt Nut** onto **Swivel**, tighten securely. Refer to page 1 for mounting instructions.

CLEANING & MAINTENANCE

CAUTION: Be sure fixture temperature is cool enough to touch. Do not clean or maintain while fixture is energized.

1. Lens can be washed only after removing from fixture and only in a solution of warm water and any mild, non-abrasive household detergent, rinsed with clean water and wiped dry. Do not use chemicals to clean lens or fixture.
2. Do not open fixture to clean the LED. Do not touch the LED.

TROUBLESHOOTING

1. Check that the line voltage at the fixture is correct.
2. Be sure the fixture is grounded properly.

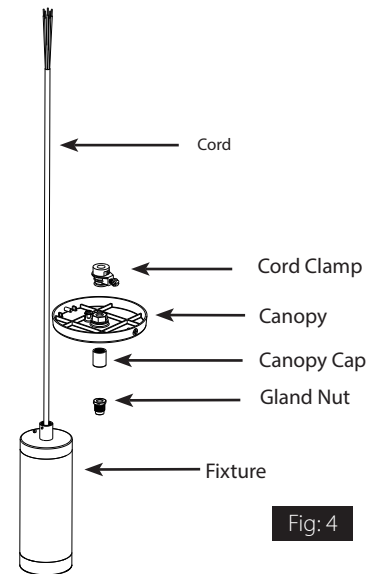


Fig: 4

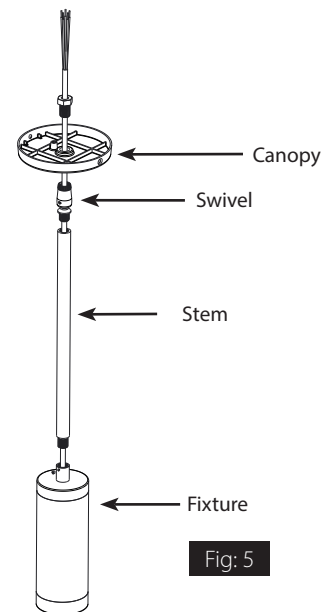


Fig: 5

Note: These instructions do not cover all details or variations in equipment nor do they provide for every possible situation during installation, operation or maintenance.