

Deep Regress Wafer - Field Adjustable



4" Round



6" Round

Deep Regress Wafer - Field Adjustable 90CRI



90 CRI



FIELD
ADJUSTABLE



50,000
HOURS



120V



DAMP
RATED



IC RATED



FCC
LISTED



RoHS

TECHNICAL SPECIFICATIONS

CONSTRUCTION

Housing Material

Cold rolled steel housing

Housing construction includes LED array, heat sink, reflector, lens and smooth cone and trim ring.

Housing Finish

Matte White

Trim Style

Smooth

Lens

- Regressed lens provides cut off and low glare
- Impact-resistant polycarbonate
- Convex form and lamp-like appearance
- Diffuse for even illumination

LEDs

Back-lit LED array provides a uniform source with high efficiency and no pixilation

Controls

Dipswitch mounted on driver box for 5 CCT selection

Mounting

Mounting / Retention

- The RL-DM requires no housing or third party junction box
- The remote enclosure may be used in direct contact with insulation.
- Installer must cut template out of drywall and install into aperture with the clips compressed.
- When released, the spring clips will rest on to the back side of the drywall
- Not for installation in recessed housings

Installation

- Can be installed in 1/2" to 1-1/4" thick ceilings
- Cutout template provided in package
- Heat treated springs hold fixture fitting securely in the ceiling

PROJECT:

DATE:

TYPE:

PREPARED BY:



KEY FEATURES

- 5 color temperatures in 1 SKU (2700K, 3000K, 3500K, 4000K, 5000K)
- **Back-lit** deep regress remote driver downlight
- Available in a **smooth trim** option
- No recessed housing or j-box required
- **New construction** or **retrofit** applications
- UL **wet location** rated
- **Smooth diffused uniform** light distribution
- **Dimmable** down to 5% on compatible dimmers
- **Spring-loaded** retention clips
- Robust, **die-cast aluminum** construction
- IC and **airtight** rated
- **5-Year, No-Compromise Warranty**

COMPLIANCE

Safety Listing

UL Listed

Environment/Fixture Rating

Wet Location. Can be used in wet and damp location.

T24 JA8 Compliant

Only 90CRI models

Lawful for Sale in California

Yes

IC Rated

Yes

Energy Star Compliant

Yes

Air Tight

Yes

FCC

Complies with Part 15 of the FCC Rules.

RoHS

Mercury and UV free. RoHS-compliant components.

ELECTRICAL

THD

≤25%

Power Factor

≥0.9

Input Voltage

120V

Operating Frequency

60Hz

Operating Temperature

-30°C to 40°C

Dimming

TRIAC and ELV dimming compatibility

Note

All values are typical (tolerance +/- 10%)

Deep Regress Wafer - Field Adjustable



TECHNICAL SPECIFICATIONS CONT.

OTHER

Warranty

RAB warrants that our LED products will be free from defects in materials and workmanship for a period of five (5) years from the date of delivery to the end user, including coverage of light output, color stability, driver performance and fixture finish.

RAB warranty is subject to all terms and conditions found at: rablighting.com

PERFORMANCE

Lifespan

50,000-hour LED lifespan based on IES LM-80 results and TM-21 calculations

DIMENSIONS

PERFORMANCE

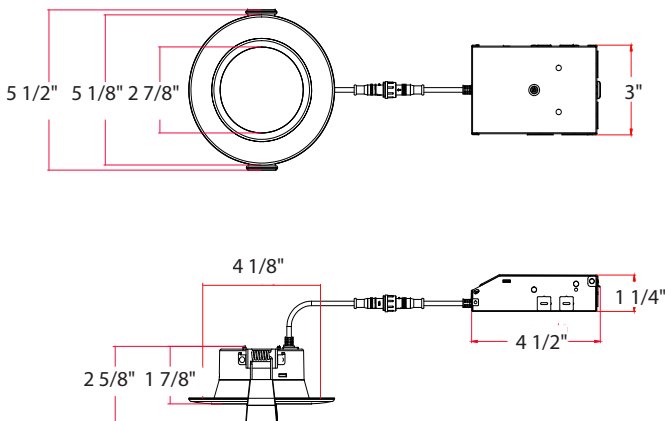
Deep Regress Wafer

	9W -4" ROUND	13 -6" ROUND
LUMENS	600	1,000
INPUT WATTS	9W	13W
LM/W	66.7	76.9
CRI	90	90
EQUIVALENCY	60W INCANDESCENT	75W INCANDESCENT
CCT	2700K / 3000K / 3500K / 4000K / 5000K	

DIMENSIONS

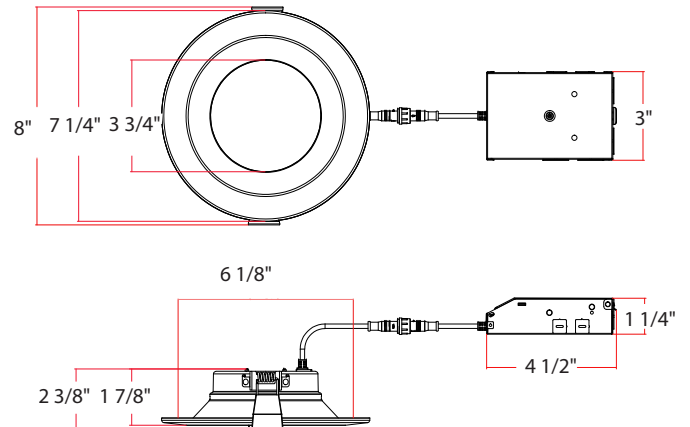
4" Round

Weight: 0.91 lb



6" Round

Weight: 1.1 lb



ORDERING MATRIX

WAFER- Field Adjustable, 90CRI

Family	Fixture Type	Size-Shape	Wattage	CRI	Color Temperature	Voltage Rating	Fixture Finish	Trim Finish
WFR	D			9	FA	120	W	S

D = Deep Regress

4R = 4" Round
6R = 6" Round

for 4" Round
9 = 9W

9 = 90 CRI

FA = Field Adjustable
(30K/35K/40K/50K)

120 = 120V

W = White

S = Smooth

For 6" Round
13 = 13W