

3-in-1 Downlight



4" Round, Back-lit



4" Round, Edge-lit



6" Round, Back-lit



6" Round, Edge-lit

3-in-1 mounting, 5 CCT field-adjustable



PROJECT: _____

DATE: _____

TYPE: _____

PREPARED BY: _____



KEY FEATURES

- **3 mounting options** included: Junction Box, Recessed Housing, or Direct Ceiling
- **Edge-lit** or **back-lit** technology with deep regress remote driver
- 5 color temperatures in 1 SKU (**2700K, 3000K, 3500K, 4000K, 5000K**)
- Dimmable down to **10%** on **TRIAC** dimmers: see Dimmer Compatibility List
- Suitable for indoors or outdoor applications in **dry, damp, and wet** environments
- **Anti-UV** plastic extends the life of the housing

PERFORMANCE

Catalog#	Equivalency	Shape	Input Wattage	Field-Adjustable Color Temperature	CRI	Input Voltage(V)	L70 Lifespan	Energy Star ID
SM3N1-4R-10-9CCT-120-W-BL	60W CFL	Round	10W	5000/4000/3500/3000/2700K	90	120V	50,000	2394831
SM3N1-4R-10-9CCT-120-W-EL	60W CFL		10W					2395533
SM3N1-6R-12-9CCT-120-W-BL	75W CFL		12W					2394829
SM3N1-6R-12-9CCT-120-W-EL	75W CFL		12W					2395532

SM3N1-4R-10-9CCT-120-W-BL	5000K	4000K	3500K	3000K	2700K
LUMENS	939	934	904	861	819
EFFICACY (LM/W)	94	93	90	86	82

SM3N1-4R-10-9CCT-120-W-EL	5000K	4000K	3500K	3000K	2700K
LUMENS	898	926	915	884	879
EFFICACY (LM/W)	90	93	91	88	88

SM3N1-6R-12-9CCT-120-W-BL	5000K	4000K	3500K	3000K	2700K
LUMENS	1,036	1,067	1,076	1,031	995
EFFICACY (LM/W)	86	89	90	86	83

SM3N1-6R-12-9CCT-120-W-EL	5000K	4000K	3500K	3000K	2700K
LUMENS	1,154	1,182	1,183	1,151	1,117
EFFICACY (LM/W)	96	99	99	96	93

3-in-1 Downlight



TECHNICAL SPECIFICATIONS

CONSTRUCTION

Housing Material

Polycarbonate, anti-UV plastic

Base Type

E26

Shape

Round

Controls

Dip-switch mounted on driver box for 5 CCT selection

Mounting

Junction Box, recessed and ceiling

Beam Angle

4": 120°, 6": 130°

COMPLIANCE

Safety Listing

UL Listed, Suitable for wet locations

Environment/Fixture Rating

Enclosed. Can be used in wet and damp location.

T24 JA8 Compliant

Yes

IC Rated

Suitable for direct contact with insulation

Air Tight

Yes

FCC

Complies with Part 15 of the FCC Rules.

RoHS

Mercury and UV free. RoHS-compliant components.

ELECTRICAL

THD

≤20%

Power Factor

≥0.9

Input Voltage

120V

Flicker

≤30

Operating Frequency

60Hz

Operating Temperature

-4°F to 104°F (-20°C to 40°C)

Dimming

10% on TRIAC dimers. See Dimmer Compatibility List.

Note: All values are typical (tolerance +/- 10%)

OTHER

Warranty

RAB warrants that our LED products will be free from defects in materials and workmanship for a period of five (5) years from the date of delivery to the end user, including coverage of light output, color stability, driver performance and fixture finish.

RAB warranty is subject to all terms and conditions found at:

rablighting.com

PERFORMANCE

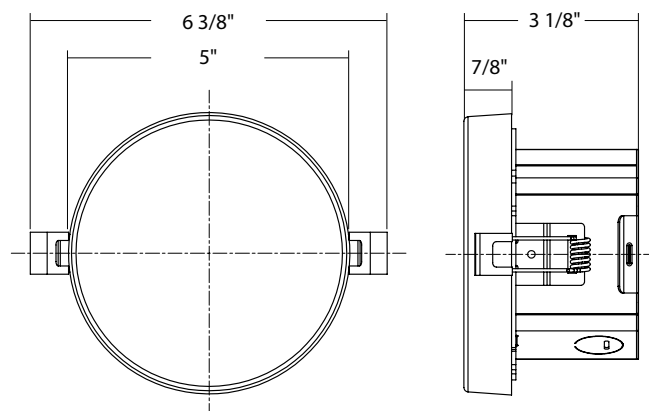
Lifespan

50,000-hour LED lifespan based on IES LM-80 results and TM-21 calculations

DIMENSIONS

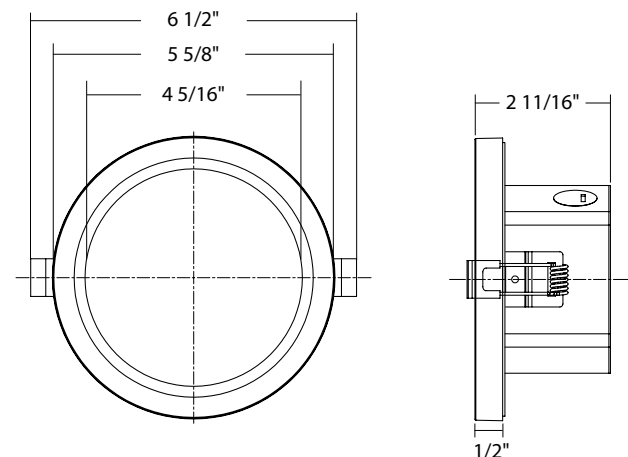
4" ROUND, BACK-LIT

Weight: 0.95 Lb



4" ROUND, EDGE-LIT

Weight: 0.95 Lb

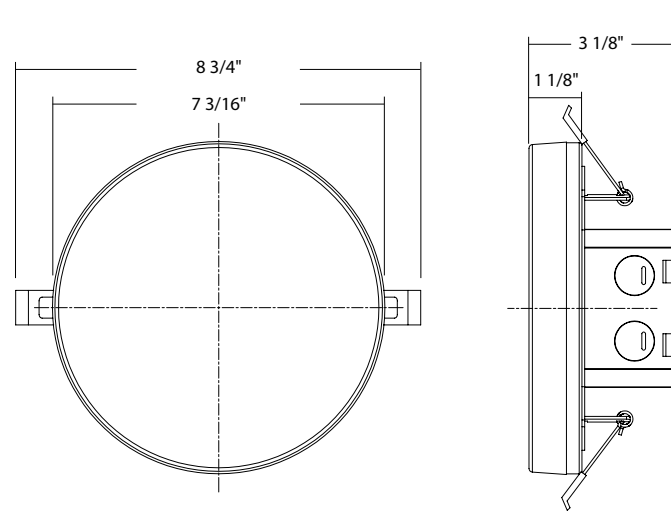


3-in-1 Downlight

DIMENSIONS (CONTINUED)

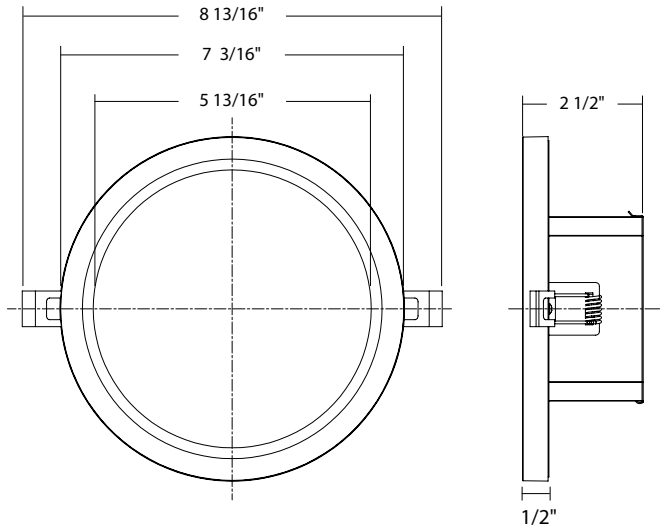
6" ROUND, BACK-LIT

Weight: 1.76 Lbs



6" ROUND, EDGE-LIT

Weight: 1.76 Lbs



ORDERING INFO

Catalog Number	Model Number (Energy Star)	UPC	Case Pack
SM3N1-4R-10-9CCT-120-W-BL	DLS0132(SM3N1-4R-10-9CCT-120-W-BL)	192552015639	12
SM3N1-4R-10-9CCT-120-W-EL	DLS0131(SM3N1-4R-10-9CCT-120-W-EL)	192552015622	12
SM3N1-6R-12-9CCT-120-W-BL	DLS0130(SM3N1-6R-12-9CCT-120-W-BL)	192552015615	12
SM3N1-6R-12-9CCT-120-W-EL	DLS0129(SM3N1-6R-12-9CCT-120-W-EL)	192552015608	12

ORDERING MATRIX

3-in-1 Mount Downlight

Family	Size/Shape	Wattage	CRI	Color Temperature	Voltage Rating	Fixture Finish	Trim Finish
SM3N1	6 R 4 R	12 10	9	CCT	120 120V	W White	BL EL
	6" Round 4" Round	12W 10W	90 CRI	Field Adjustable (5000/4000/3500/3000/2700K)			Back-lit Edge-lit