

INSTRUCTIONS

DSK34 - 4" DISK

RAB®

RAB Lighting is committed to creating high-quality, affordable, well-designed and energy-efficient LED lighting and controls that make it easy for electricians to install and end users to save energy. We'd love to hear your comments. Please call the Marketing Department at 888-RAB-1000 or email: marketing@rablighting.com

DSK34-4R129XX120WS



IMPORTANT

READ CAREFULLY BEFORE INSTALLING FIXTURE. RETAIN THESE INSTRUCTIONS FOR FUTURE REFERENCE.

RAB fixture must be wired in accordance with the National Electrical Code and all applicable local codes. Proper grounding is required for safety. THIS PRODUCT MUST BE INSTALLED IN ACCORDANCE WITH THE APPLICABLE INSTALLATION CODE BY A PERSON FAMILIAR WITH THE CONSTRUCTION AND OPERATION OF THE PRODUCT AND THE HAZARDS INVOLVED.

TO PREVENT ELECTRICAL SHOCK, POWER SHOULD BE TURNED OFF AT THE FUSE BOX BEFORE INSTALLATION.

SAFETY WARNINGS:

Read all product labels and directions.

- **WARNING – Risk of fire or electric shock. LED Retrofit Kit installation requires knowledge of luminaires electrical systems. If not qualified, do not attempt installation. Contact a qualified electrician.**
 - **THIS DEVICE IS NOT INTENDED FOR USE WITH EMERGENCY EXITS.**
 - **WARNING-Risk of fire or electric shock. Install this kit only in the luminaires that have the construction features and dimensions shown in the photographs and/or drawings and where the input rating of the retrofit kit does not exceed the input rating of the luminaire.**
 - **Do not make or alter any open holes in an enclosure of wiring or electrical components during kit installation.**
 - **WARNING – To prevent wiring damage or abrasion, do not expose wiring to edges of sheet metal or other sharp objects.**
 - **Please examine all parts that are not intended to be replaced by the retrofit kit for damage and replace any damaged parts prior to installation of the retrofit kit.**
 - **Replace only with RAB Lighting Inc. Visit our website: RABLIGHTING.COM Call our experts at 888 722-1000**
- MODEL# DSK34-4R129XX120WS.**
- **The recessed luminaire is intended for mounting only in a covered ceiling where only the led side of the luminaire will be exposed to damp or dry locations.**
 - **INSTALLATION SHOULD ONLY BE PERFORMED AFTER POWER TO THE FIXTURE HAS BEEN DISCONNECTED.**
 - **These instructions shall be included on an information sheet packaged with each unit.**

WHAT'S IN THE BOX



Disk (1)



Screws (4)



Nuts (3)



Bracket(1)



Lumi Sticker (1)

OPTIONAL ACCESSORIES

Our disk downlight is compatible with most common 4" recessed housings, please purchase the LAMP SOCKET E26 SET (Model# DSK34-4/ACC - including E26 adapter, female connector and friction clips) for installation in housings.



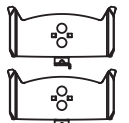
E26 adapter(1)



Female connector(1)



Screw (2)



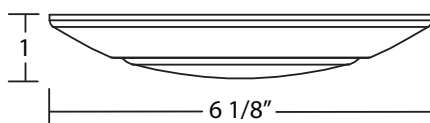
Friction Clips(2)

TOOLS NEEDED

Installation with J-BOX and Existing Housing

A screwdriver is needed for installation.

DIMENSIONAL DRAWINGS



MIN. LAMP COMPARTMENT DIMENSIONS

Installation with J-BOX

J-box Min Volume - 15.9 in³, Min Length: 3.2in, Height: 1.55in
Compatible with standard J-box

Installation with Existing Housing

Min lamp compartment dimensions - Dia: 4in, Height: 4.1in
Compatible with most common 4in recessed housings

INSTRUCTIONS

DSK34 - 4" DISK



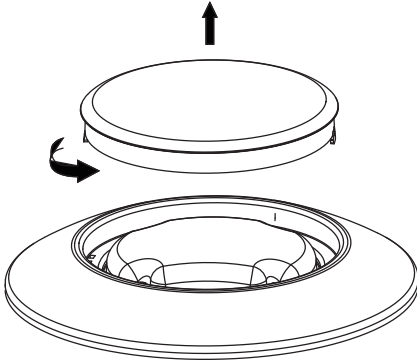
RAB Lighting is committed to creating high-quality, affordable, well-designed and energy-efficient LED lighting and controls that make it easy for electricians to install and end users to save energy. We'd love to hear your comments. Please call the Marketing Department at 888-RAB-1000 or email: marketing@rablighting.com

INSTALLATION WITH J-BOX (Mounting Diameter 2.7in)

1. Make sure the **POWER IS TURNED OFF** at the source to the J-box in which you are installing the product.

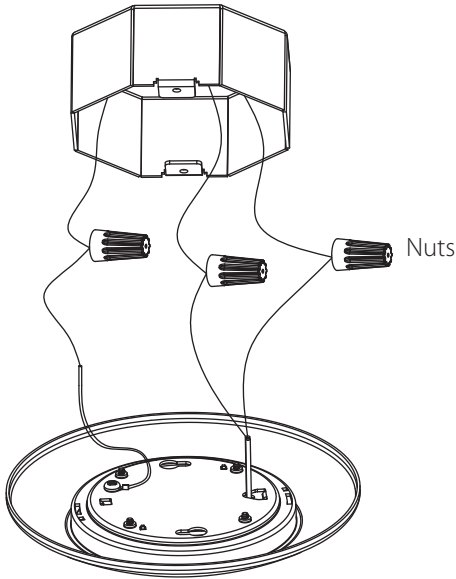
2. Take out lens from disk. (Fig.1)

Fig: 1



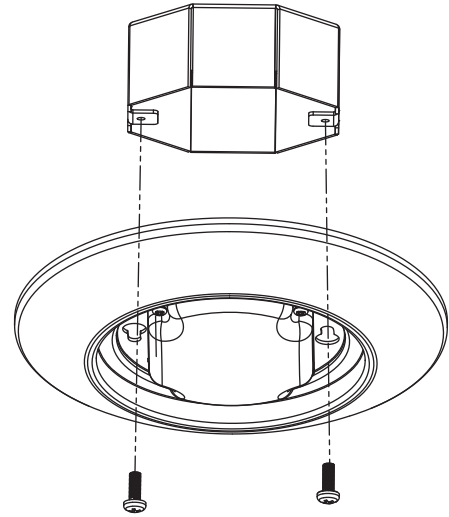
3. Connect the Ground Wire (Cooper) to J-box and the wires of J-box to disk, white - white, black - black. (Fig.2)

Fig: 2



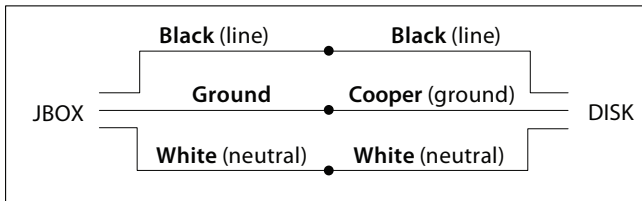
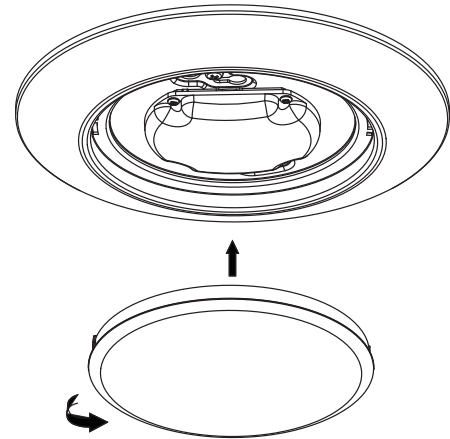
4. Fasten the disk to J-box with the two short screws provided in package. (Fig.3)

Fig: 3



5. Put the lens back to disk. (Fig.4)

Fig: 4



INSTRUCTIONS

DSK34 - 4" DISK



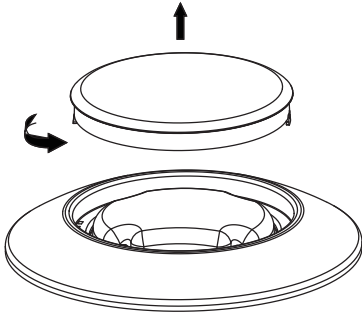
RAB Lighting is committed to creating high-quality, affordable, well-designed and energy-efficient LED lighting and controls that make it easy for electricians to install and end users to save energy. We'd love to hear your comments. Please call the Marketing Department at 888-RAB-1000 or email: marketing@rablighting.com

INSTALLATION WITH J-BOX (Mounting Diameter > 2.7in)

1. Make sure the POWER IS TURNED OFF at the source to the J-box in which you are installing the product.

2. Take out lens from disk. (Fig.5)

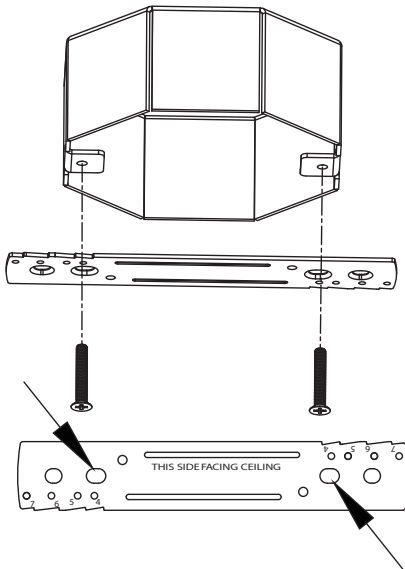
Fig: 5



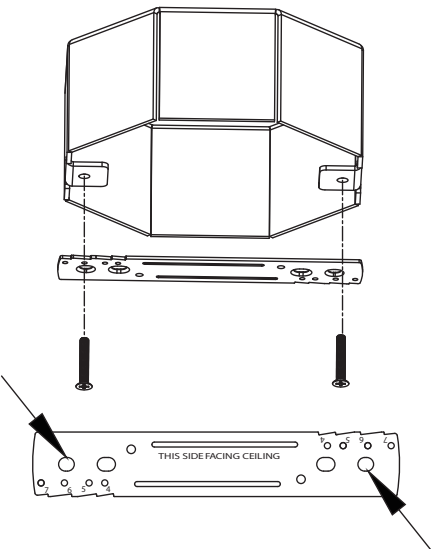
3. Fasten the bracket to J-box with the two long screws provided in package. (Fig.6)

Fig: 6

(3.5in)

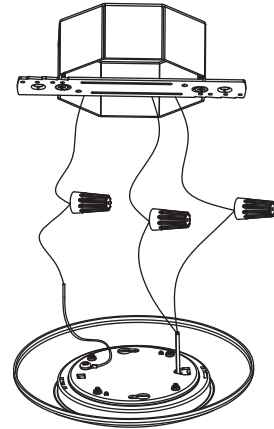


(> 3.5in)



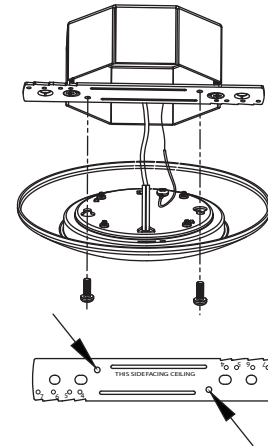
4. Connect the Ground Wire (Cooper) to J-box and the wires of J-box to disk, white - white, black - black. (Fig.7)

Fig: 7



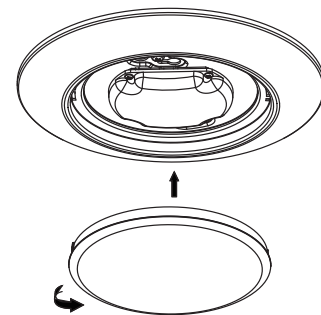
5. Fasten the disk to the bracket with the two short screws provided in package. (Fig.8)

Fig: 8



6. Put the lens back to disk. (Fig.9)

Fig: 9



INSTRUCTIONS

DSK34 - 4" DISK

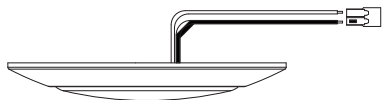


RAB Lighting is committed to creating high-quality, affordable, well-designed and energy-efficient LED lighting and controls that make it easy for electricians to install and end users to save energy. We'd love to hear your comments. Please call the Marketing Department at 888-RAB-1000 or email: marketing@rablighting.com

INSTALLATION WITH EXISTING HOUSING

1. Wire the disk with female connector. (Fig.10) Insert the black wire into the side marked(-) and the white wire into the side without mark. Make sure both wires are tightly secured.

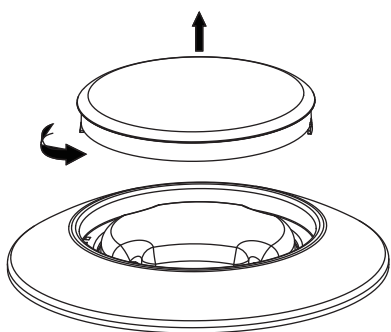
Fig: 10



2. Make sure the POWER IS TURNED OFF at the source to the recessed housing in which you are installing the product.

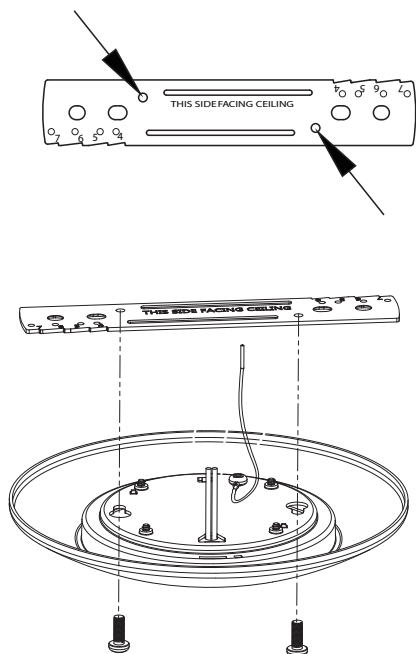
3. Take out lens from disk. (Fig.11)

Fig: 11



4. Fasten the bracket to disk with the two short screws provided in package. (Fig.12) Pay attention to the direction of bracket.

Fig: 12



5. Install the friction clip on the back of the disk. (Fig.13) Put the lens back to disk. (Fig.14)

Fig: 13

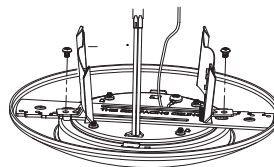
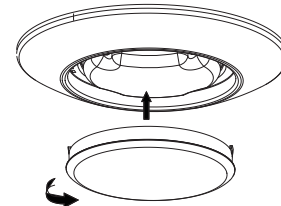


Fig: 14



6. Screw the E26 adapter into the socket. Then connect male connector of E26 adapter to the female connector of the disk. (Fig.15) Simply slide the trim and metal friction clips into the housing. (Fig.16) Carefully place wires into fixture and push the LED trim into the housing until flush with ceilings. (Fig.17)

Fig: 15

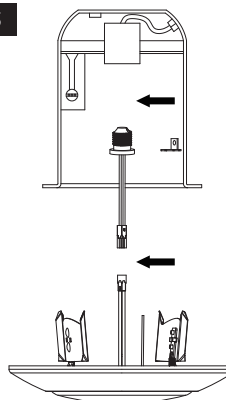


Fig: 16

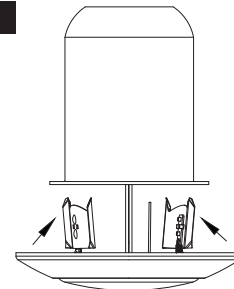
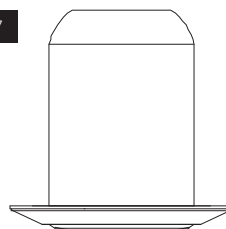


Fig: 17



Note: These instructions do not cover all details or variations in equipment nor do they provide for every possible situation during installation, operation or maintenance.



Easy Answers

rablighting.com
Visit our website for product info

Tech Help Line
Call our experts: 888 722-1000

e-mail
Answered promptly - sales@rablighting.com

Free Lighting Layouts
Answered online or by request

INSTRUCTIONS

DSK34 - 6" DISK



RAB Lighting is committed to creating high-quality, affordable, well-designed and energy-efficient LED lighting and controls that make it easy for electricians to install and end users to save energy. We'd love to hear your comments. Please call the Marketing Department at 888-RAB-1000 or email: marketing@rablighting.com

DSK34-6R169XX120WS



IMPORTANT

READ CAREFULLY BEFORE INSTALLING FIXTURE. RETAIN THESE INSTRUCTIONS FOR FUTURE REFERENCE.

RAB fixture must be wired in accordance with the National Electrical Code and all applicable local codes. Proper grounding is required for safety. THIS PRODUCT MUST BE INSTALLED IN ACCORDANCE WITH THE APPLICABLE INSTALLATION CODE BY A PERSON FAMILIAR WITH THE CONSTRUCTION AND OPERATION OF THE PRODUCT AND THE HAZARDS INVOLVED.

TO PREVENT ELECTRICAL SHOCK, POWER SHOULD BE TURNED OFF AT THE FUSE BOX BEFORE INSTALLATION.

SAFETY WARNINGS:

Read all product labels and directions.

- **WARNING – Risk of fire or electric shock. LED Retrofit Kit installation requires knowledge of luminaires electrical systems. If not qualified, do not attempt installation. Contact a qualified electrician.**
 - **THIS DEVICE IS NOT INTENDED FOR USE WITH EMERGENCY EXITS.**
 - **WARNING-Risk of fire or electric shock. Install this kit only in the luminaires that have the construction features and dimensions shown in the photographs and/or drawings and where the input rating of the retrofit kit does not exceed the input rating of the luminaire.**
 - **Do not make or alter any open holes in an enclosure of wiring or electrical components during kit installation.**
 - **WARNING – To prevent wiring damage or abrasion, do not expose wiring to edges of sheet metal or other sharp objects.**
 - **Please examine all parts that are not intended to be replaced by the retrofit kit for damage and replace any damaged parts prior to installation of the retrofit kit.**
 - **Replace only with RAB Lighting Inc. Visit our website: RABLIGHTING.COM Call our experts at 888 722-1000**
- MODEL# DSK34-6R169XX120WS.**
- **The recessed luminaire is intended for mounting only in a covered ceiling where only the led side of the luminaire will be exposed to damp or dry locations.**
 - **INSTALLATION SHOULD ONLY BE PERFORMED AFTER POWER TO THE FIXTURE HAS BEEN DISCONNECTED.**
 - **These instructions shall be included on an information sheet packaged with each unit.**

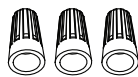
WHAT'S IN THE BOX



Disk (1)



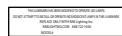
Screws (4)



Nuts (3)



Bracket(1)



Lumi Sticker (1)

OPTIONAL ACCESSORIES

Our disk downlight is compatible with most common 4", 5" and 6" recessed housings, please purchase the LAMPSOCKET E26 SET (Model# DSK34-6/ACC - including E26 adapter, female connector and torsion springs) for installation in housings.



E26 adapter(1)



Female connector(1)



Screw (2)



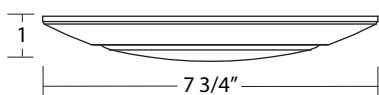
Torsion Springs (2)

TOOLS NEEDED

Installation with J-BOX and Existing Housing

A screwdriver is needed for installation.

DIMENSIONAL DRAWINGS



MIN. LAMP COMPARTMENT DIMENSIONS

Installation with J-BOX

J-box Min Volume - 15.9 in³, Min Length: 3.2in, Height: 1.55in
Compatible with standard J-box

Installation with Existing Housing

Min lamp compartment dimensions - Dia: 4in, Height: 4.1in
Compatible with most common 5in and 6in recessed housings

INSTRUCTIONS

DSK34 - 6" DISK

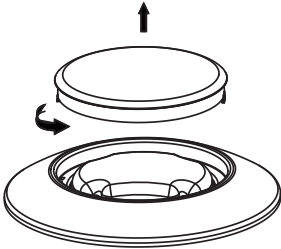


RAB Lighting is committed to creating high-quality, affordable, well-designed and energy-efficient LED lighting and controls that make it easy for electricians to install and end users to save energy. We'd love to hear your comments. Please call the Marketing Department at 888-RAB-1000 or email: marketing@rablighting.com

INSTALLATION WITH J-BOX (Mounting Diameter 2.7 & 3.5in)

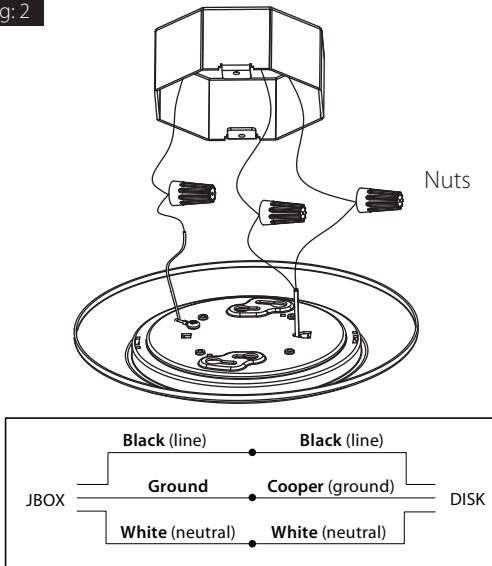
1. Make sure the POWER IS TURNED OFF at the source to the J-box in which you are installing the product.
2. Take out lens from disk. (Fig.1)

Fig: 1



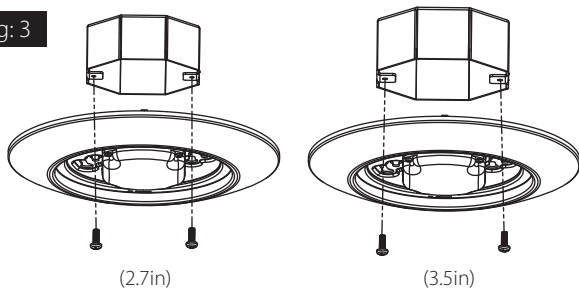
3. Connect the Ground Wire (Cooper) to J-box and the wires of J-box to disk, white - white, black - black. (Fig.2)

Fig: 2



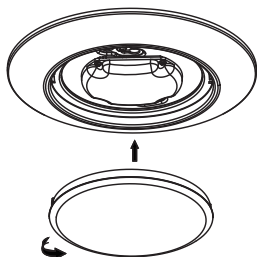
4. Fasten the disk to J-box with the two short screws provided in package. (Fig.3)

Fig: 3



5. Put the lens back to disk. (Fig.4)

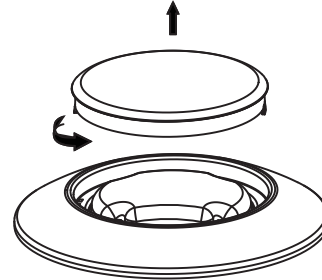
Fig: 4



INSTALLATION WITH J-BOX (Mounting Diameter > 3.5in)

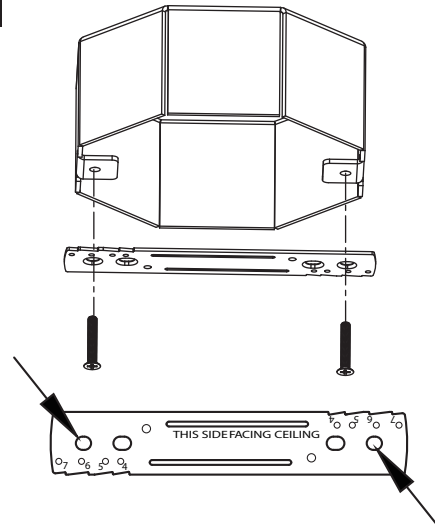
1. Make sure the POWER IS TURNED OFF at the source to the J-box in which you are installing the product.
2. Take out lens from disk. (Fig.5)

Fig: 5



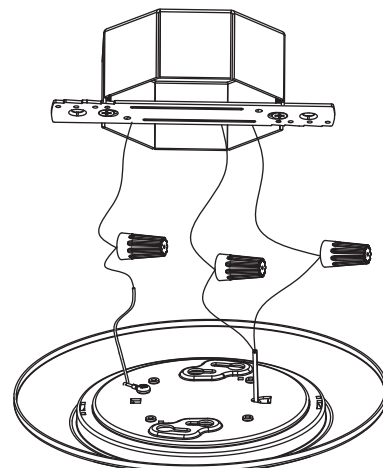
3. Fasten the bracket to J-box with the two long screws provided in package. (Fig.6)

Fig: 6



4. Connect the Ground Wire (Cooper) to J-box and the wires of J-box to disk, white - white, black - black. (Fig.7)

Fig: 7



INSTRUCTIONS

DSK34 - 6" DISK

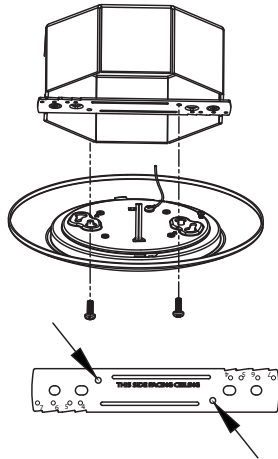


RAB Lighting is committed to creating high-quality, affordable, well-designed and energy-efficient LED lighting and controls that make it easy for electricians to install and end users to save energy. We'd love to hear your comments. Please call the Marketing Department at 888-RAB-1000 or email: marketing@rablighting.com

INSTALLATION WITH J-BOX - Mounting Diameter > 3.5in (Cont'd)

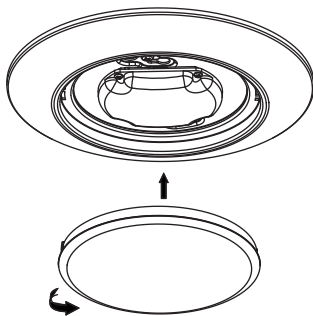
5. Fasten the disk to the bracket with the two short screws provided in package. (Fig.8)

Fig: 8



6. Put the lens back to disk. (Fig.9)

Fig: 9



INSTALLATION WITH 4" EXISTING HOUSING

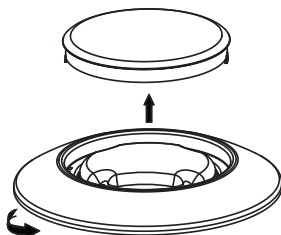
1. Wire the disk with female connector. (Fig.10) Insert the black wire into the side marked(-) and the white wire into the side without mark. Make sure both wires are tightly secured.

Fig: 10



2. Take out lens from disk. (Fig.11)

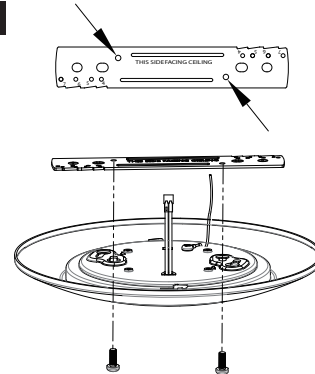
Fig: 11



INSTALLATION WITH 4" EXISTING HOUSING (Cont'd)

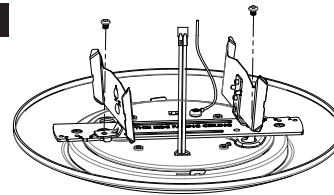
3. Fasten the bracket to J-box with the two short screws provided in package. (Fig.12)

Fig: 12



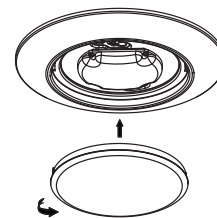
4. Install the friction clip on the back of the disk with screws provided in accessories package. (Fig.13)

Fig: 13



5. Put the lens back to disk. (Fig.14)

Fig: 14



6. Screw the E26 adapter into the socket. Then connect male connector of E26 adapter to the female connector of the disk (Fig.15) Simply slide the trim and metal friction clips into the housing. (Fig.16) Carefully place wires into fixture and push the LED trim into the housing until flush with ceilings. (Fig.17)

Fig: 15

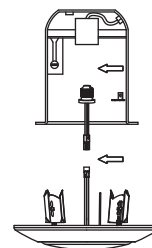


Fig: 16

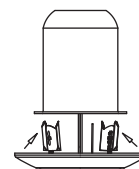


Fig: 17



INSTRUCTIONS

DSK34 - 6" DISK

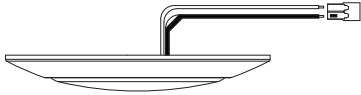


RAB Lighting is committed to creating high-quality, affordable, well-designed and energy-efficient LED lighting and controls that make it easy for electricians to install and end users to save energy. We'd love to hear your comments. Please call the Marketing Department at 888-RAB-1000 or email: marketing@rablighting.com

INSTALLATION WITH 5"/6" EXISTING HOUSING

1. Wire the disk with female connector. (Fig.18) Insert the black wire into the side marked(-) and the white wire into the side without mark. Make sure both wires are tightly secured.

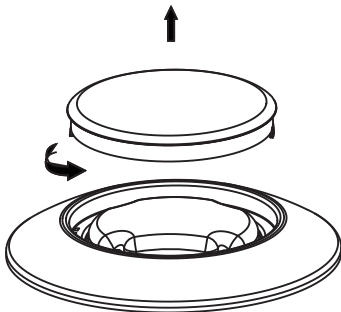
Fig: 18



2. Make sure the POWER IS TURNED OFF at the source to the recessed housing in which you are installing the product.

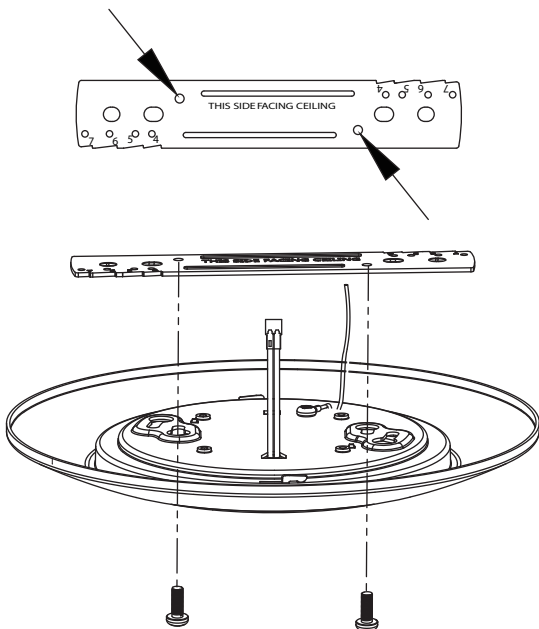
3. Take out lens from disk. (Fig.19)

Fig: 19



4. Fasten the bracket to disk with the two short screws provided in package. (Fig.20) Pay attention to the direction of bracket.

Fig: 20



INSTALLATION WITH 5"/6" EXISTING HOUSING(Cont'd)

5. Install the torsion springs on the back of the disk. (Fig.21)
Put the lens back to disk. (Fig.22)

Fig: 21

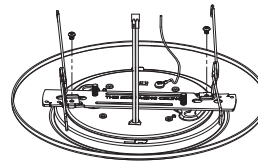
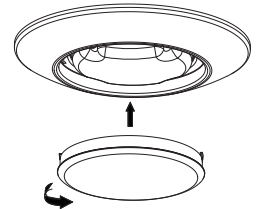


Fig: 22



6. Screw the E26 adapter into the socket. Then connect male connector of E26 adapter to the female connector of the disk (Fig.23) Simply slide the trim and torsion springs into the housing. (Fig.24) Carefully place wires into fixture and push the LED trim into the housing until flush with ceilings. (Fig.25)

Fig: 23

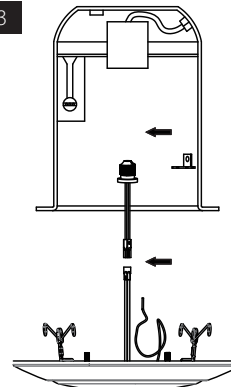


Fig: 24

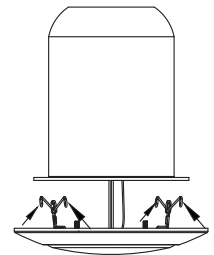
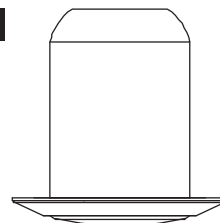


Fig: 25



Note: These instructions do not cover all details or variations in equipment nor do they provide for every possible situation during installation, operation or maintenance.



Easy Answers

rablighting.com
Visit our website for product info

Tech Help Line
Call our experts: 888 722-1000

e-mail
Answered promptly - sales@rablighting.com

Free Lighting Layouts
Answered online or by request