



HID 80W

HID 115W

Economical High Bay Lamps with Sensor Port UL Type B



PROJECT: _____

DATE: _____

TYPE: _____

PREPARED BY: _____



KEY FEATURES

- Replaces traditional metal halide or high pressure sodium HID lamps
- **Integral driver** enables lamp to be wired directly to line voltage without need for an external driver or ballast
- Lasts 3x longer than metal halide or HPS HID lamps
- Rated for use in **enclosed and open fixtures in dry or damp** locations
- **4kV surge protection** built in
- **50,000-Hour** lifespan
- **Environmentally friendly**, no mercury used
- **UL Listed, UL Classified, DLC Listed**
- **Non-dimmable**
- Lamp includes **on-board low-voltage AUX port for Smart Sensor**
- **5-Year Limited Warranty**

PERFORMANCE

Catalog Number	Equivalency	Input Wattage	Lumen	Efficacy	Color Temperature	CRI	L70 Lifespan	DLC ID
HID-80-V-EX39-840-BYP-HB-ECO	250W HID	80W	10800	135	4000K	80	50,000	PL0J0VAROFFC
HID-80-V-EX39-850-BYP-HB-ECO	250W HID	80W	10800	135	5000K	80	50,000	PLMX58WXO6X9
HID-115-V-EX39-840-BYP-HB-ECO	400W HID	115W	15500	135	4000K	80	50,000	PLKVJAK31OK9
HID-115-V-EX39-850-BYP-HB-ECO	400W HID	115W	15500	135	5000K	80	50,000	PLP1VOC7YPTY

TECHNICAL SPECIFICATIONS

CONSTRUCTION

Product Type

HID

Bulb Shape

High Bay

Enclosure Material

Polycarbonate & Metal Heat Sink

Endcap Finish

White

Base Type

EX39

Beam Angle

120°

INSTALLATION

Installation Method

UL Type B, Ballast Bypass

Burning Position

Base Up

TECHNICAL SPECIFICATIONS (CONT.)

COMPLIANCE

Safety Listing

UL Listed, UL Classified

Environment/Fixture Rating

Damp / Enclosed

IP Rating

IP64

DLC 5.1

This product is on the Design Lights Consortium (DLC) Qualified Products List and is eligible for rebates from DLC Member Utilities

FCC

Complies with Part 15 of the FCC Rules.

RoHS

Mercury and UV free. RoHS-compliant components.

OTHER

Warranty

RAB warrants that our LED products will be free from defects in materials and workmanship for a period of five (5) years from the date of delivery to the end user, including coverage of light output, color stability, driver performance and fixture finish.

RAB's warranty is subject to all terms and conditions found at rablighting.com/warranty.

ELECTRICAL

THD

≤20%

Power Factor

>0.9

Input Voltage

100-277V

Operating Frequency

60Hz

Operating Temperature

-30°C to 60°C

Surge Protection

4kV

Driver

Constant Current

115W - 1.28A @120V 0.46 @277V

80W - 0.89A @120V 0.32A @277V

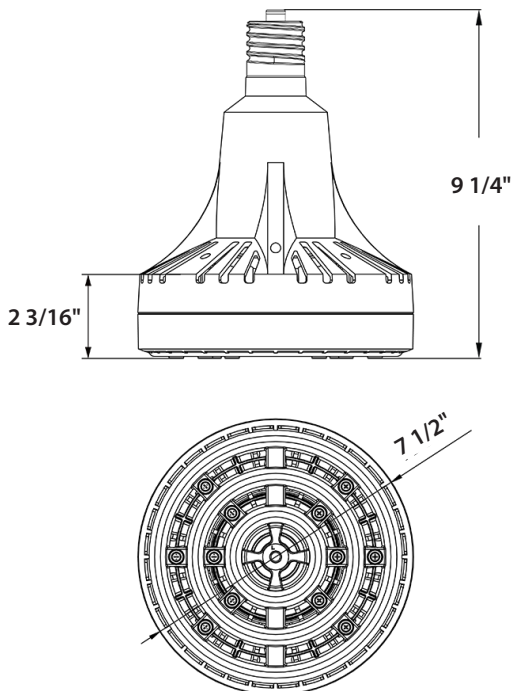
Note

All values are typical (tolerance +/- 10%)

DIMENSIONS

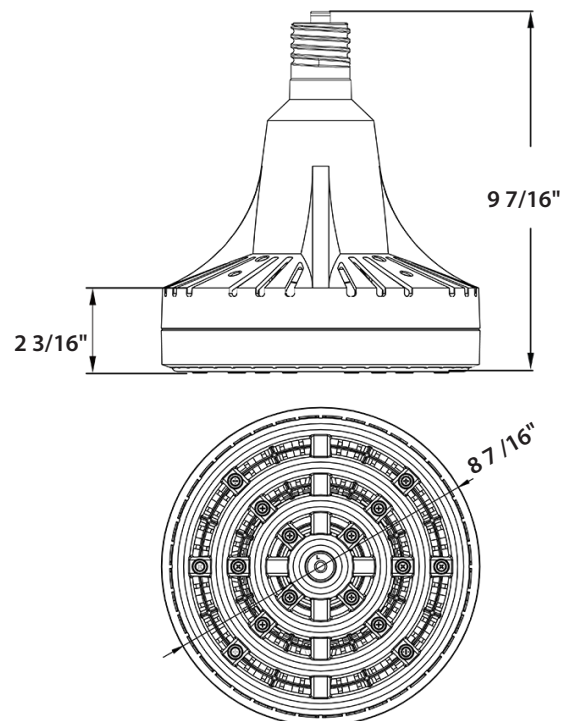
HID 80W

Weight: 3.1 lbs.



HID 115W

Weight: 3.6 lbs.



ORDERING INFO

Catalog Number	Model Number (DLC/Energy Star)	UPC	Case Pack
HID-80-V-EX39-840-BYP-HB-ECO	H10035(HID-80-V-EX39-840-BTP-HB-ECO)	019813908489	4
HID-80-V-EX39-850-BYP-HB-ECO	H10036(HID-80-V-EX39-850-BTP-HB-ECO)	019813908496	4
HID-115-V-EX39-840-BYP-HB-ECO	H10038(HID-115-V-EX39-840-BTP-HB-ECO)	019813908465	4
HID-115-V-EX39-850-BYP-HB-ECO	H10039(HID-115-V-EX39-850-BTP-HB-ECO)	019813908472	4

ORDERING MATRIX

Family	Wattage		Burning Position		Base Type		CRI/Color Temp		Installation Type		Bulb Shape		Classification	
HID	-		-	V	-	EX39	-		-	BYP	-	HB	-	ECO
	80	80W	V	Vertical	EX39	EX39 Base	840	80 CRI, 4000K	BYP	Ballast Bypass	HB	High Bay	ECO	Economical
	115	115W					850	80 CRI, 5000K						