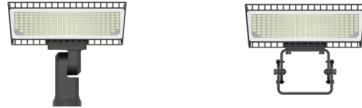


FXLED Field-Adjustable Floodlights



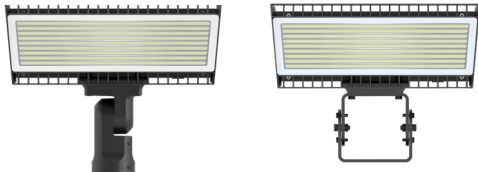
FXLEDS (Small)



FXLEDM (Medium)



FXLEDL (Large)



PROJECT:

DATE:

TYPE:

PREPARED BY:



KEY FEATURES

- * Available in three different sizes:
SMALL: 69W/97W/132W/168W selectable
MEDIUM: 213W/346W selectable
LARGE: 445W/534W selectable
- * CCT: Selectable **4000/5000K**.
- * Available in 120-277V and 480V
- * **Slipfitter** and **Trunnion** available on all models
- * Available in bronze and white finish
- * UL listed for wet location
- * **IP66** listed
- * **0-10V** dimmable

Field-adjustable CCT and Wattages



0-10V



100,000
HOURS



WET
RATED



IP RATING



FIELD
ADJUSTABLE

TECHNICAL SPECIFICATIONS

COMPLIANCE

UL Listed

Suitable for wet locations. Suitable for mounting within 4 feet of the ground.

DLC Listed

This product is listed by Design Lights Consortium (DLC) as an ultra-efficient premium product that qualifies for the highest tier of rebates from DLC Member Utilities. Designed to meet DLC 5.1 requirements.

PERFORMANCE

Lifespan

100,000-hour LED lifespan based on IES LM-80 results and -21 calculations

LED CHARACTERISTICS

LEDS

Long-life, high-efficacy, surface-mount LEDs

Color Uniformity

RAB's range of Correlated Color Temperature follows the guidelines of the American National Standards for Specifications for the Chromaticity of Solid State Lighting (SSL) Products, ANSI C78.377-2017.

Color Consistency

7-step MacAdam Ellipse binning to achieve consistent fixture-to-fixture color

Color Stability

LED color temperature is warranted to shift no more than 200K in color temperature over a 5-year period

CONSTRUCTION

Cold Weather Starting

Minimum starting temperature is -40°C (-40°F)

Maximum Ambient Temperature

Suitable for use in up to 40°C (104°F)

Housing

Die-cast aluminum

Mounting

Slipfitter, Trunnion.

Tilt increment:

Slipfitter and Knuckle: 5°

Trunnion: 30°

Lens

Ultra-clear tempered glass

Reflector

Small & Medium: Vacuum metalized polycarbonate

Large: Vacuum metalized die cast aluminum alloy

Gaskets

High-temperature silicone gaskets

Effective Projected Area

Small: 0.5 (Slipfitter), 0.37 (Trunnion)

Medium: 0.72 (Slipfitter), 0.59 (Trunnion)

Large: 1.02 (Slipfitter and Trunnion)

IP Rating

Ingress protection rating of IP66 for dust and water

Vibration Rating

3G vibration rating per ANSI C136.31

TECHNICAL SPECIFICATIONS (CONTINUED)

ELECTRICAL

Drivers:

Constant Current, Class 2, 120-277V, 50/60 Hz

FXLEDS (Small) @ 5000k/4000k

69W: 120V: 0.58A, 208V: 0.34A, 240V: 0.29A, 277V: 0.25A
 97W: 120V: 0.81A, 208V: 0.47A, 240V: 0.41, 277V: 0.35A
 132W: 120V: 1.10A, 208V: 0.64A, 240V: 0.55A, 277V: 0.48A
 168W: 120V: 4.40A, 208V: 0.81A, 240V: 0.70A, 277V: 0.61A

FXLEDM (Medium) @ 5000k/4000k

213W: 120V: 1.78A, 208V: 1.03A, 240V: 0.89A, 277V: 0.77A
 346W: 120V: 2.84A, 208V: 1.67A, 240V: 1.45A, 277V: 1.25A

FXLEDL (Large) @ 5000k/4000k

445W: 120V: 3.71A, 208V: 2.14A, 240V: 1.86A, 277V: 1.61A
 534W: 120V: 4.45A, 208V: 2.57A, 240V: 2.23A, 277V: 1.93A

Surge Protection

6kV

Drivers:

Constant Current, Class 1, 480V, 50/60 Hz

FXLEDS (Small) @ 5000k/4000k

69W: 480V: 0.15A
 97W: 480V: 0.21A
 132W: 480V: 0.28A
 168W: 480V: 0.35A

FXLEDM (Medium) @ 5000k/4000k

213W: 480V: 0.45A
 346W: 480V: 0.72A

FXLEDL (Large) @ 5000k/4000k

445W: 480V: 0.93A
 534W: 480V: 1.12A

Dimming Driver:

Driver includes dimming control wiring for 0-10V dimming systems. Requires separate 0-10V DC dimming circuit. Dims down to 10%.

CONSTRUCTION (CONTINUED)

Green Technology

Mercury and UV free. RoHS-compliant components.

Finish

Formulated for high durability and long lasting color. Available in bronze & white finish.

OPTICAL

NEMA Type

NEMA Beam Spread of 7H x 6V

OTHER

Warranty

RAB warrants that our LED products will be free from defects in materials and workmanship for a period of ten (10) years from the date of delivery to the end user, including coverage of light output, color stability, driver performance and fixture finish. RAB's warranty is subject to all terms and conditions found at rablighting.com/warranty.

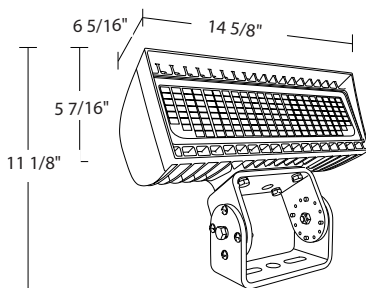
Buy American Act Compliance:

RAB values USA manufacturing! Upon request, RAB may be able to manufacture this product to be compliant with the BUY American Act (BAA). Please contact customer service to request a quote for the product to be made BAA compliant.

DIMENSIONS

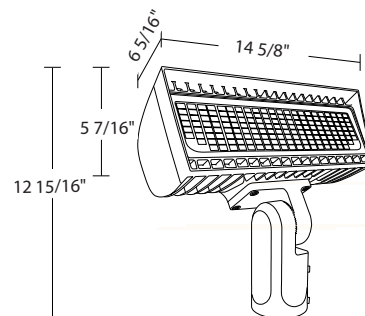
FXLEDST : 69W/97W/132W/168W

Weight 20.2 lbs (With Trunnion Mount)



FXLEDSSF : 69W/97W/132W/168W

Weight 16.5 lbs (With Slipfitter Mount)



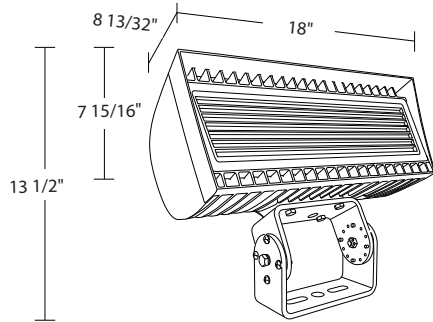
FXLED Field-Adjustable Floodlights



DIMENSIONS (CONTINUED)

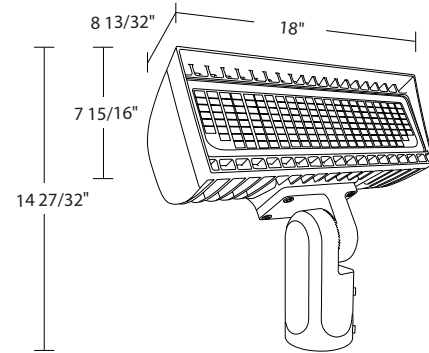
FXLEDMT : 213W/346W

Weight 35.6 lbs (With Trunnion Mount)



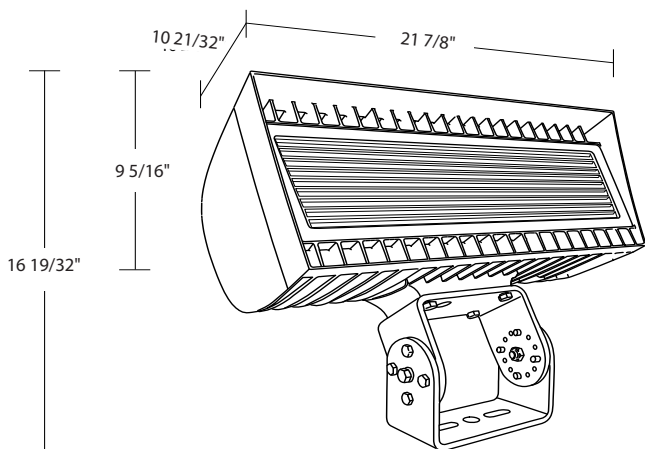
FXLEDMSF : 213W/346W

Weight 31.7 lbs (With Slipfitter mount)



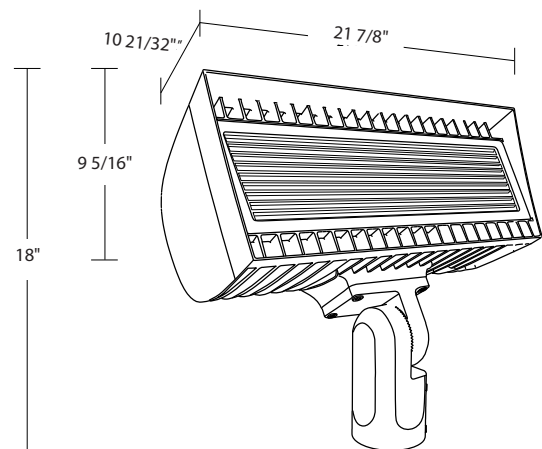
FXLEDT : 445W/534W

Weight 59 lbs (With Trunnion Mount)



FXLEDLSF : 445W/534W

Weight 54.6 lbs (With Slipfitter Mount)



FXLED Field-Adjustable Floodlights



PERFORMANCE (CONTINUED)

FXLEDS (Small)	5000K	4000K	5000K	4000K	5000K	4000K	5000K	4000K
FA wattage	69W	69W	97W	97W	137W	137W	168W	168W
Input Watts	67.1W	67.5W	95.4W	95.9W	129W	129.3W	165.3W	167.3W
Lumens	10206	10220	13888	13934	17832	17898	21649	22010
Lm/W	152.1	151.5	145.6	145.3	138.3	138.4	131.0	131.5
CRI	81	82	82	81	81	81	81	81
Voltage Ratings	120-277V	120-277V	120-277V	120-277V	120-277V	120-277V	120-277V	120-277V

FXLEDS (Small)	5000K	4000K	5000K	4000K	5000K	4000K	5000K	4000K
FA wattage	69W	69W	97W	97W	137W	137W	168W	168W
Input Watts	47.5W	47.8W	71.3W	71.8W	91.5W	92.2W	168.3W	168.3W
Lumens	7257	6141	10536	8581	13127	10531	22308	21083
Lm/W	152.8	128.5	147.7	119.5	143.5	114.2	132.5	125.2
CRI	82	82	82	82	82	82	81	81
Voltage Ratings	480V	480V	480V	480V	480V	480V	480V	480V

FXLEDM (Medium)	5000K	4000K	5000K	4000K	5000K	4000K	5000K	4000K
FA wattage	213W	213W	346W	346W	213W	213W	346W	346W
Input Watts	210.2W	209W	343.2W	344.2W	205.7W	206W	334.5W	335.0W
Lumens	30228	30156	44369	45135	30305	30575	45052	45431
Lm/W	143.8	144.3	129.3	131.1	147.3	148.4	134.7	135.6
CRI	82	81	81	82	81	82	81	81
Voltage Ratings	120-277V	120-277V	120-277V	120-277V	480V	480V	480V	480V

FXLEDL (Large)	5000K	4000K	5000K	4000K	5000K	4000K	5000K	4000K
FA wattage	445W	445W	534W	534W	445W	445W	534W	534W
Input Watts	443.5	447.8	539.9	543.2	442.4	447.9	504.2	509.7
Lumens	63204	61887	72667	71624	63023	64058	70461	71580
Lm/W	142.5	138.2	134.6	131.9	142.5	143	139.6	140.4
CRI	82	81	82	81	81	81	81	81
Voltage Ratings	120-277V	120-277V	120-277V	120-277V	480V	480V	480V	480V

ORDERING MATRIX

FXLED

Family	Housing Size	Color Temperature	Mounting	Finish	Voltage*	Options
FXLED						
S	Small (FA 69W/97W/132W/168W)	BLANK	SF	BLANK	BLANK	No Option
M	Medium (FA 213W/346W)	FA 5000K/4000K	T	W	120-277V 480V	7 Pin Receptacle
L	Large (FA 445W/534W)			Bronze White		

*0-10V Dimming standard