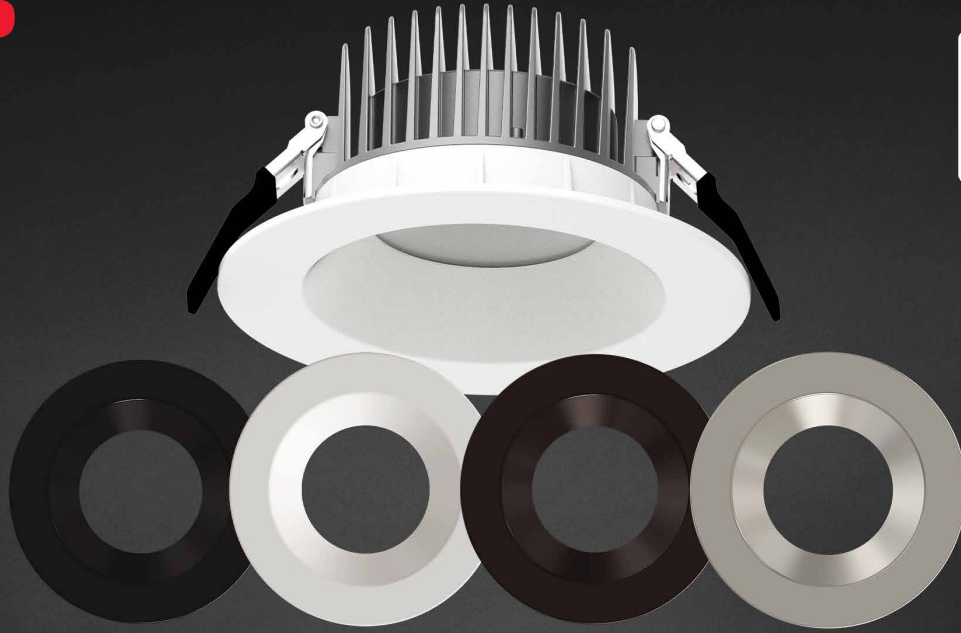
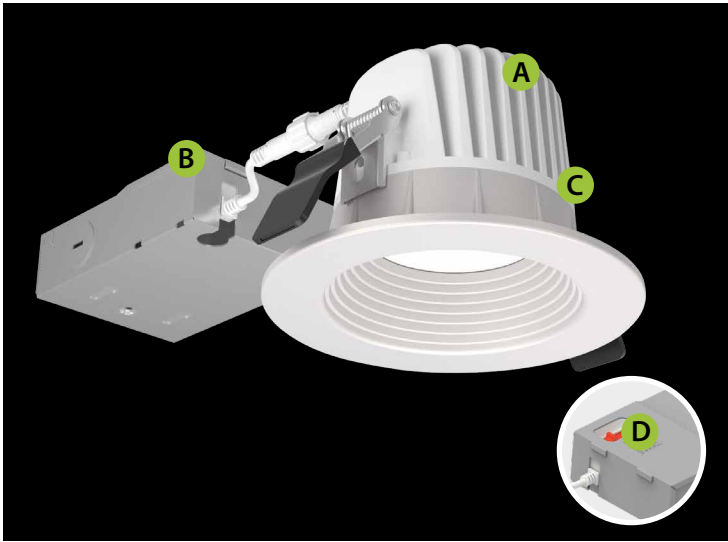


RAB®



Modular flexibility at its best.

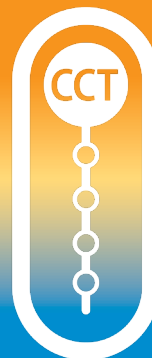
HALED 4" and 6"



- A** Die-cast aluminum heatsink for superior thermal performance
- B** Driver design minimizes optical flickering (<5%)
- C** IC rated and meets air-tight requirement
- D** Round and square trims available, with smooth or baffle cones, in white, black, bronze, or brushed nickel
- F** Five field-selectable color temperatures

Maximized flexibility.

All models come with 5 field-adjustable color temperatures so you can customize your output with the flip of a switch.



2700K

3000K

3500K

4000K

5000K



50,000-HOUR
LED LIFESPAN



5-YEAR,
NO COMPROMISE
WARRANTY

RAB's warranty is
subject to all terms
and conditions found at
rablighting.com/warranty

Anywhere you want it.

The HALELED can be installed in dry, damp, or wet locations such as a bathroom, kitchen, entryway, office and much more.

Universal dimming.

All models offer TRIAC dimming at 120V and 0-10V dimming for 120-277V.*



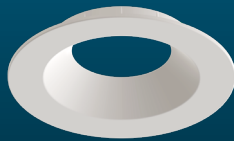
*120-277V Driver sold separately HAD4/D10 or HAD6/D10

Trims for every occasion.

The modular flexibility of the HALELED allows you to pick between round or square trims, with smooth or baffle cones, in four different colors.



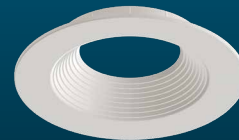
Black White Bronze Brushed Nickel



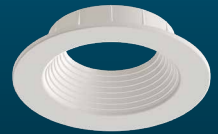
6" Smooth



4" Smooth



6" Baffle



4" Baffle



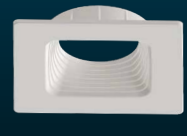
6" Smooth



4" Smooth



6" Baffle



4" Baffle

Ordering Matrix

Family	Size (Wattage)	Shape	CRI/Color Temp	Voltage/Dimming
HA				
HALED Module Downlight*	4 4" (12W) 6 6" (18W)	Blank Round	Blank 90CRI Field Adjustable	Blank 120V, TRIAC

Family	Size	Shape	Trim	Finish
HAT				
HALED Trim*	4 4" 6 6"	R Round S Square	Blank Smooth B Baffle	W White B Black A Bronze BN Brushed Nickel

*Module and trim must be order together for proper installation.