

HAZFFLED Hazardous Location Floodlights



HAZFFLED 30 & 60W



HAZFFLED 100 & 150W



HAZFFLED 200W



HAZFFLED 300W & 400W



HAZFFLED - Class 1, Div 2 Floodlights



PROJECT: _____

DATE: _____

TYPE: _____

PREPARED BY: _____



KEY FEATURES

- Floodlights for hazardous locations, available in **three** sizes and **seven** wattages: Small: 30W, 60W; Medium: 100W, 150W; Large: 200W; Extra Large: 300W, 400W.
- **5000K CCT**
- Certified for **Class 1, Div 2, Groups A, B, C, D** and has a temperature rating of **T4A**
- Ideal for use in: petroleum refineries, fuel servicing areas, utility gas plants, and aircraft hangars
- **120-277V, 480V** available on 100W to 400W models
- Available accessories: Wire guards and hoods. Adjustable mounting arm available for small & medium models
- Yoke mount standard, slipfitter option available
- **IP66** Rated
- 5-year, no-compromise warranty

PERFORMANCE

FIXTURE WITHOUT THE HOOD

Model	HAZFFLED30	HAZFFLED60	HAZFFLED100	HAZFFLED150	HAZFFLED200	HAZFFLED300	HAZFFLED400
Color Temp	5000K	5000K	5000K	5000K	5000K	5000K	5000K
Wattage	30W	60W	100W	150W	200W	300W	400W
Input Watts	29.8W	61.4W	102.6W	147.9W	205.3W	302.9	402.9
Lumens	4,798	9,540	16,722	23,833	32,979	49,322	65,948
Efficacy	161	155.4	163	161.1	160.6	162.8	163.7
CRI	70	70	70	71	71	73	73
Voltage	120-277V	120-277V	120-277V	120-277V	120-277V	120-277V	120-277V

HAZFFLED Hazardous Location Floodlights



PERFORMANCE (CONTINUED)

Model	HAZFFLED100	HAZFFLED150	HAZFFLED200	HAZFFLED300	HAZFFLED400
Color Temp	5000K	5000K	5000K	5000K	5000K
Wattage	100W	150W	200W	300W	400W
Input Watts	95.4W	148.8W	187.3W	295.6	384.2
Lumens	16,205	24,590	32,150	50,141	65,180
Efficacy	169.6	160.6	171.6	169.6	169.7
CRI	73	71	73	73	73
Voltage	480V	480V	480V	480V	480V

FIXTURE WITH THE HOOD

Model	HAZFFLED30	HAZFFLED60	HAZFFLED100	HAZFFLED150	HAZFFLED200	HAZFFLED300	HAZFFLED400
Color Temp	5000K	5000K	5000K	5000K	5000K	5000K	5000K
Wattage	30W	60W	100W	150W	200W	300W	400W
Input Watts	29.8W	61.2W	102.5W	147.2W	205.6W	302.9	402.8
Lumens	4,158	8,183	14,882	21,009	29,972	44,364	58,404
Efficacy	139.5	133.7	145.2	142.7	145.8	146.5	145.0
CRI	70	71	70	71	71	72	73
Voltage	120-277V	120-277V	120-277V	120-277V	120-277V	120-277V	120-277V

Model	HAZFFLED100	HAZFFLED150	HAZFFLED200	HAZFFLED300	HAZFFLED400
Color Temp	5000K	5000K	5000K	5000K	5000K
Wattage	100W	150W	200W	300W	400W
Input Watts	95.4W	148.5W	187.3W	295.6	384.2
Lumens	14,404	21,771	28,930	44,899	57,917
Efficacy	151.0	146.6	154.5	151.9	150.7
CRI	72	71	73	73	73
Voltage	480V	480V	480V	480V	480V

TECHNICAL SPECIFICATIONS

COMPLIANCE

UL Listed

Suitable for wet locations. Suitable for mounting within 1.2m (4ft) of the ground.

DLC Listed

This product family is listed with the DesignLights Consortium (DLC). Individual SKUs within this family may carry either a DLC Standard or DLC Premium qualification. Please refer to the individual product specification sheet or the DLC Qualified Products List (QPL) at designlights.org to confirm the qualification status of a specific SKU prior to specification or purchase.

LED CHARACTERISTICS

LEDs

Long-life, high-efficacy, surface-mount LEDs

Color Uniformity

RAB's range of Correlated Color Temperature follows the guidelines of the American National Standards for Specifications for the Chromaticity of Solid State Lighting (SSL) Products, ANSI C78.377-2017.

Color Consistency

7-step MacAdam Ellipse binning to achieve consistent fixture-to-fixture color.

HAZFFLED Hazardous Location Floodlights



TECHNICAL SPECIFICATIONS

COMPLIANCE

Hazardous Location Classifications

Class 1, Division 2 (Groups A, B, C, D):

Class 1 (Hazardous Material in Surrounding Atmosphere): Flammable vapors or gases may be present

Division 2 (Presence of Hazardous Materials): Ignitable concentrations of hazards exist only under accidental system breakdowns or abnormal operating conditions

Groups A, B, C, D (Hazardous Material in Surrounding Atmosphere):

A = Acetylene
 B = Hydrogen, butadiene, ethylene oxide, propylene oxide and acrolein
 C = Ethylene, cyclopropane and ethyl ether
 D = Acetone, ammonia, benzene, butane, ethanol, gasoline, hexane, methane, methanol, naphtha, natural gas, propane & toluene

NEC/CE T-CODE

30W: T5
 60W-100W : T4A
 150W-200W: T4

IP Rating

Ingress protection rating of IP66 for dust and water

IESNA LM-79 & LM-80 Testing:

RAB LED luminaires and LED components have been tested by an independent laboratory in accordance with IESNA LM-79 and LM-80.

CONSTRUCTION

Cold Weather Starting

Minimum starting temperature is -40°C (-40°F)

Maximum Ambient Temperature

30W: 60°C (140°F)
 60W, 100W, 150W & 200W: 55°C (131°F)
 300W & 400W: 50°C (122°F)

NEC/CE T-CODE

MODEL#	AMBIENT TEMP RANGE	T-CODE
HAZFFLED30	-40°C ~ 60°C	T5
HAZFFLED60	-40°C ~ 55°C	T4A
HAZFFLED100	-40°C ~ 55°C	T4A
HAZFFLED150	-40°C ~ 55°C	T4
HAZFFLED200	-40°C ~ 55°C	T4A
	-40°C ~ 50°C	T4A
HAZFFLED300	-40°C ~ 55°C	T4A
	-40°C ~ 60°C	T4
HAZFFLED400	-40°C ~ 50°C	T4

Housing

Die-cast aluminum

Mounting

Yoke and slipfitter

Tilt increment

Slipfitter: 6°
 Yoke Mount: 30°

CONSTRUCTION

Lens

Clear glass

Reflector

High-reflective polycarbonate

BUG Rating

MODEL#	BUG Rating	
	120-277V	480V
HAZFFLED30	B2 U2 G1	
HAZFFLED60	B3 U2 G2	
HAZFFLED100	B3 U3 G3	B4 U2 G2
HAZFFLED150	B3 U3 G3	B4 U2 G2
HAZFFLED200	B4 U3 G3	B4 U3 G3
HAZFFLED300	B5 U3 G4	B5 U3 G3
HAZFFLED400	B5 U3 G4	B5 U3 G3

Effective Projected Area

MODEL#	EPA (ft ²)				
	1	2 @90°	2 @180°	3 @90°	4 @90°
HAZFFLED30	0.4	0.7	0.8	1	1
HAZFFLED30SF	0.4	.85	.8	1.25	1.25
HAZFFLED60	0.4	0.7	0.8	1	1
HAZFFLED60SF	0.4	.85	.8	1.25	1.25
HAZFFLED100	0.6	1.02	1.19	1.62	1.62
HAZFFLED100SF	0.6	1.18	1.19	1.78	1.78
HAZFFLED150	0.6	1.02	1.19	1.62	1.62
HAZFFLED150SF	0.6	1.18	1.19	1.78	1.78
HAZFFLED200	0.75	1.3	1.51	2.05	2.05
HAZFFLED200SF	0.75	1.3	1.51	1.51	2.05
HAZFFLED300	0.95	1.79	1.89	2.73	2.73
HAZFFLED300SF	0.96	1.8	1.91	2.75	2.75
HAZFFLED400	0.95	1.79	1.89	2.73	2.73
HAZFFLED400SF	0.96	1.8	1.91	2.75	2.75

Vibration Rating

3G vibration rating per ANSI C136.31

Gaskets

High-temperature silicone

Green Technology

Mercury and UV free. RoHs-compliant components.

Finish

Formulated for high durability and long lasting color

OPTICAL

NEMA Type:

NEMA Beam Spread of 7H x 6V. for 300W/400W: 6HX6V

TECHNICAL SPECIFICATIONS (CONTINUED)

ELECTRICAL

Drivers:

Constant Current, Class 2, 120-277V, 50/60 Hz

30W: 0.35A @120V, 0.15A @208V, 0.13A @ 240V, 0.11A @ 277V

Constant Current, Class 1, 120-277V, 50/60 Hz

60W: 0.65A @120V, 0.30A @208V, 0.25A @ 240V, 0.22A @ 277V

100W: 1.10A @120V, 0.48A @208V, 0.42A @ 240V, 0.37A @ 277V

150W: 1.65A @120V, 0.73A @208V, 0.63A @ 240V, 0.55A @ 277V

200W: 2.20A @120V, 0.97A @208V, 0.84A @ 240V, 0.73A @ 277V

300W: 3.30A @120V, 1.90A @208V, 1.65A @ 240V, 1.43A @ 277V

400W: 4.40A @120V, 2.54A @208V, 2.20A @ 240V, 1.90A @ 277V

Constant Current, Class 1, 480V, 50/60 Hz

100W: 0.40A at 480V

150W: 0.60A at 480V

200W: 0.80A at 480V

300W: 0.36A at 480V

400W: 0.48A at 480V

Surge Protection

L/N-G 10KV, L-N 6KV

Dimming Driver:

Driver includes dimming control wiring for 0-10V dimming systems.

Requires separate 0-10V DC dimming circuit. Dims down to 10%.

THD:

30W: 6.0% at 120V, 13.7% at 277V

60W: 2.8% at 120V, 7.9% at 277V

100W: 2.1% at 120V, 6.4% at 277V

150W: 3.9% at 120V, 6.4% at 277V

200W: 7.4% at 120V, 4.9% at 277V

300W: 3.6% at 120V, 6.0% at 277V

400W: 8.6% at 120V, 4.9% at 277V

100W: 4.9% at 480V

150W: 4.1% at 480V

200W: 8.2% at 480V

300W: 1.9% at 480V

400W: 6.2% at 480V

Power Factor:

30W: 99.5% at 120V, 91.6% at 277V

60W: 99.7% at 120V, 91.2% at 277V

100W: 99.9% at 120V, 96.7% at 277V

150W: 99.8% at 120V, 94.3% at 277V

200W: 99.6% at 120V, 95% at 277V

300W: 99.8% at 120V, 94.5% at 277V

400W: 99.3% at 120V, 95.0% at 277V

100W: 94.6% at 480V

150W: 97.1% at 480V

200W: 92.3% at 480V

300W: 96.6% at 480V

OTHER

Warranty

The RAB 5-year, limited warranty covers light output, driver performance and paint finish. RAB's warranty is subject to all terms and conditions found at rablighting.com/warranty

Lifespan

100,000-hour LED lifespan based on IES LM-80 results and TM-21 calculations

HAZFFLED Hazardous Location Floodlights



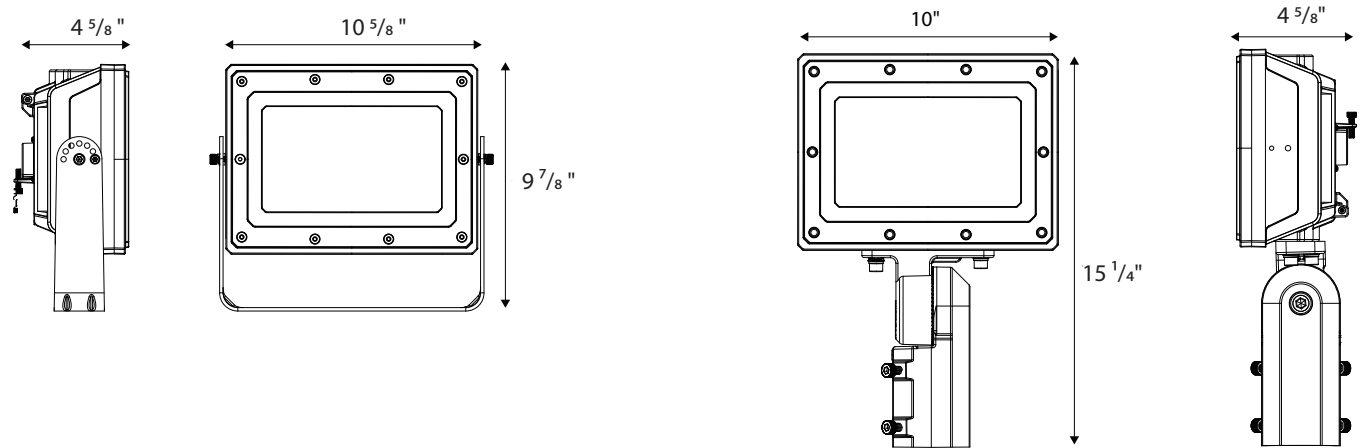
DIMENSIONS (CONTINUED)

HAZFFLED30 & 60W

Weight:

Models with yoke mount: 11.8 lbs (30W), 12.1 lbs (60W)

Models with slipfitter mount: 13.3 lbs (30W), 13.6 lbs (60W)

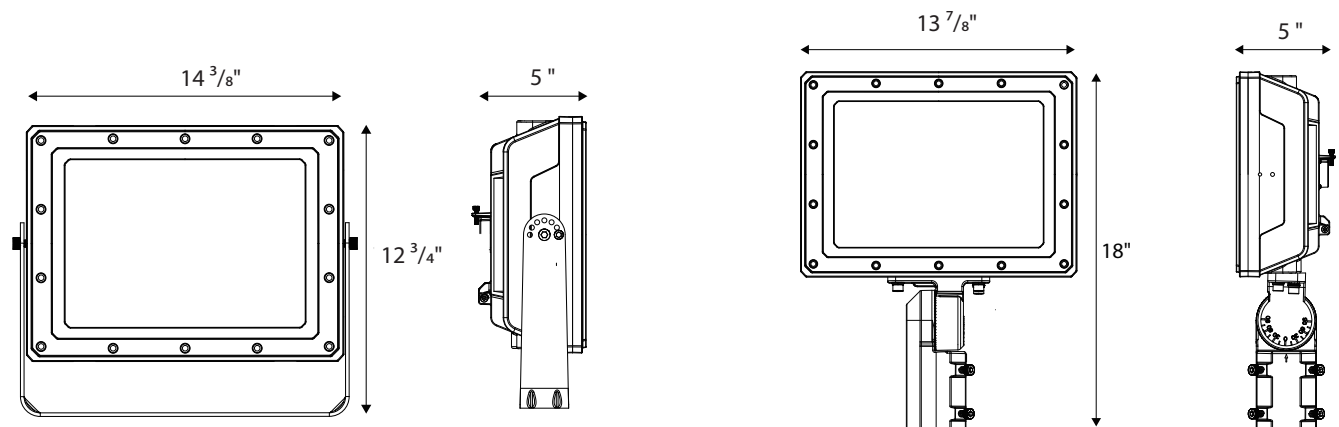


HAZFFLED100 & 150W

Weight:

Models with yoke mount: 21.6 lbs (100W), 22 lbs (150W)

Models with slipfitter mount: 23.5 lbs (100W), 24.4 lbs (150W)



HAZFFLED Hazardous Location Floodlights



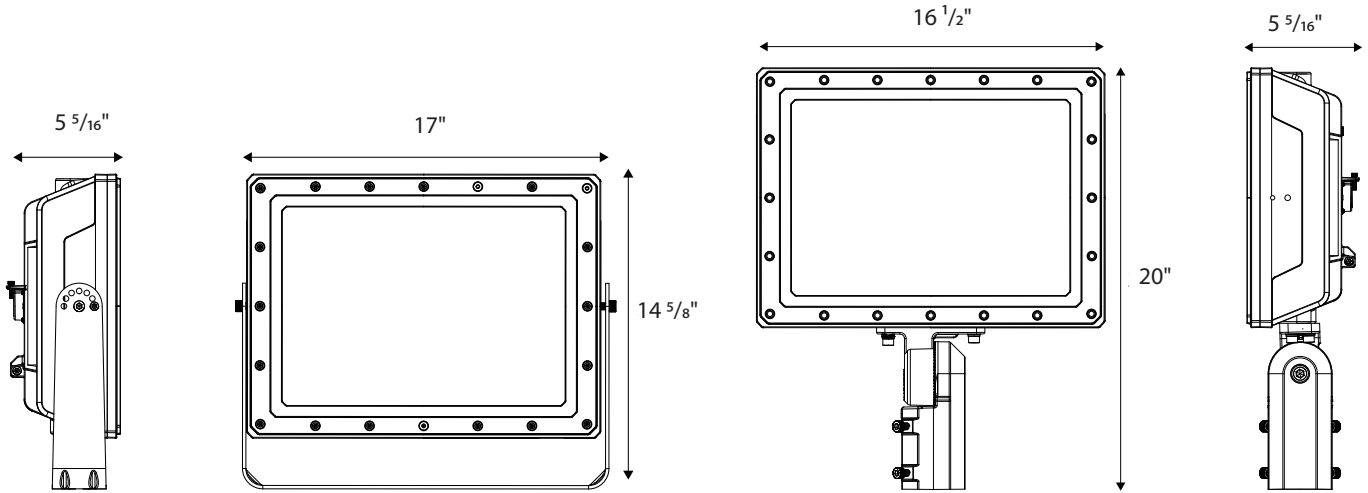
DIMENSIONS (CONTINUED)

HAZFFLED 200W

Weight:

Models with yoke mount : 31.7 lbs

Models with slipfitter mount: 33.18 lbs

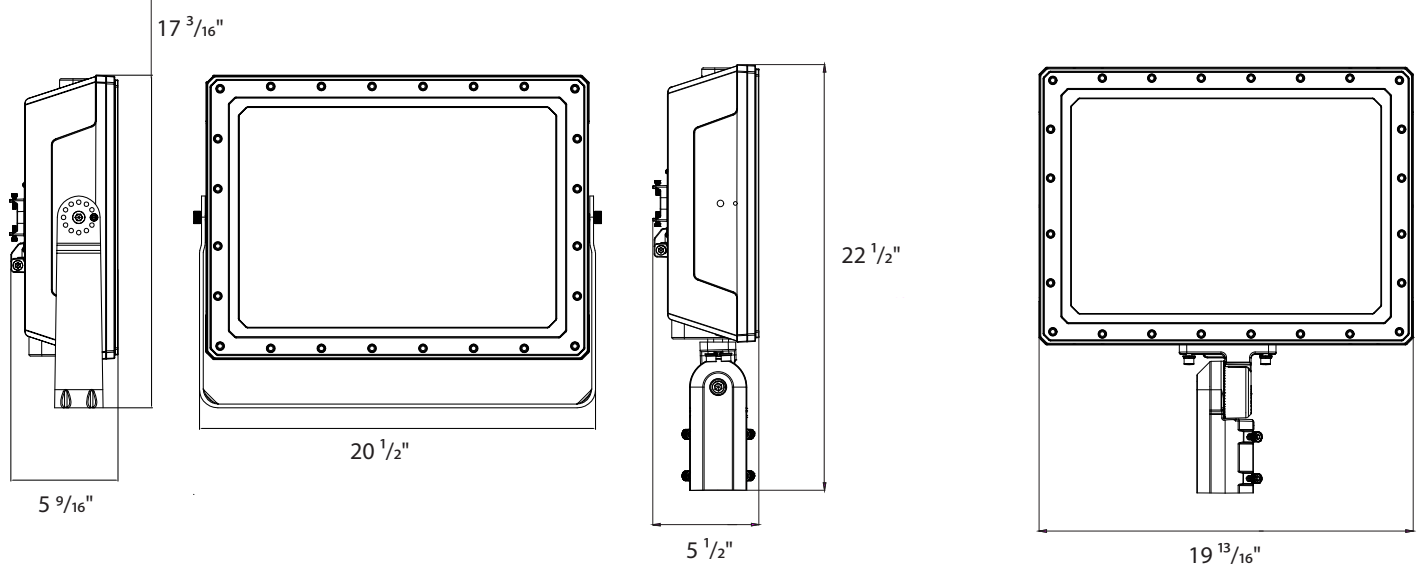


HAZFFLED300W & 400W

Weight:

Models with yoke mount: 53.0 lbs (300W), 54.1lbs (400W)










Models with slipfitter mount: 55.1 lbs (300W), 56.2 lbs (60W)



HAZFFLED Hazardous Location Floodlights



ACCESSORIES

IMAGE	SKU#	UPC	DESCRIPTION
	GDHAZFFS	192552032414	WIRE GUARD HAZ FLOOD SMALL FOR 30W & 60W
	GDHAZFFM	192552032421	WIRE GUARD HAZ FLOOD MEDIUM FOR 100W & 150W
	GDHAZFFL	192552032438	WIRE GUARD HAZ FLOOD LARGE FOR 200W
	GDHAZFFXL	192552050029	WIRE GUARD HAZ FLOOD EXTRA LARGE FOR 300W & 400W
	HHAZFFS	192552032445	HOUSING HOOD HAZ FLOOD SMALL FOR 30W & 60W
	HHAZFFM	192552032452	HOUSING HOOD HAZ FLOOD MEDIUM FOR 100W & 150W
	HHAZFFL	192552032469	HOUSING HOOD HAZ FLOOD LARGE FOR 200W
	HHAZFFXL	192552050036	HOUSING HOOD HAZ FLOOD LARGE FOR 300W, 400W
	HAZFF-ADJ-ARM	192552032476	HAZ FLOOD ADJUSTABLE ARM FOR HAZFFLED FIXTURES

ORDERING MATRIX

HAZFFLED

Family	Wattage	Mounting	Color Temp	NEMA Type	Finish	Voltage						
HAZFFLED												
	30	30W	BLANK	Yoke	BLANK	5000K	BLANK	7H X 6V	BLANK	Gray	BLANK	120-277V,
	60	60W	SF	Slipfitter	BLANK	5000K	BLANK	6H X 6V**	BLANK	Gray	BLANK	0-10V Dimming
	100	100W									/480**	480V,
	150	150W										0-10V Dimming
	200	200W										
	300	300W										
	400	400W										

*300W and 400W only in NEMA type 6HX6V
 **480V option not available on 30W and 60W models