

HAZFX Hazardous Location Floodlights



HAZFX 30-60W



Slipfitter Mount



Yoke Mount

PROJECT: _____

DATE: _____

TYPE: _____

PREPARED BY: _____

HAZFX 100-200W



Slipfitter Mount



Yoke Mount



KEY FEATURES

- Floodlights for hazardous location, available in two sizes and five wattages: Small: 30W, 60W Large: 100W, 150W, and 200W
- 5000K CCT
- Certified for Class 1, Div 1, Groups C, D and Class 1, Div 2, Groups A, B, C, D with temperature rating of T4-T6 (check the model)
- 120-277V, 480V available on 100W, 150W, and 200W models
- Available accessories: **Wire guards** and **hoods**. Yoke mount standard, **slipfitter** option available. Adjustable arm available for both sizes.
- IP66 Rated
- 5-year, no-compromise warranty

HAZFX - Class 1, Div 1 Floodlights



0-10V



100,000 HOURS



WET RATED



IP RATING

PERFORMANCE

MODEL#	HAZFX30	HAZFX60	HAZFX100	HAZFX150	HAZFX200
	5000K	5000K	5000K	5000K	5000K
Wattage	30W	60W	100W	150W	200W
Input Watts	30.7W	61.5W	103.0W	156.6W	202.2W
Lumens	4,768	9,219	16,056	24,560	30,794
Efficacy	155.3	149.9	155.9	156.8	152.3
CRI	71	71	71	71	71
Voltage Ratings	120-277V				

MODEL#	HAZFX100	HAZFX150	HAZFX200
	5000K	5000K	5000K
Wattage	100W	150W	200W
Input Watts	101.6W	150.2W	194.4W
Lumens	16,091	24,526	30,458
Efficacy	158.4	163.3	156.7
CRI	71	71	71
Voltage Ratings	480V		

TECHNICAL SPECIFICATIONS

COMPLIANCE

UL Listed

Suitable for wet locations. Suitable for mounting within 1.2m (4ft) of the ground.

DLC Listed

This product family is listed with the DesignLights Consortium (DLC). Individual SKUs within this family may carry either a DLC Standard or DLC Premium qualification. Please refer to the individual product specification sheet or the DLC Qualified Products List (QPL) at designlights.org to confirm the qualification status of a specific SKU prior to specification or purchase.

Hazardous Location Classifications

Class 1, Division 1 (Groups C, D) & Class 1, Division 2 (Groups A, B, C, D)

Class 1 (Hazardous Material in Surrounding Atmosphere): Flammable vapors or gases may be present

Division 1 (Presence of Hazardous Materials): Ignitable concentrations of hazards exist only under normal operating conditions

Division 2 (Presence of Hazardous Materials): Ignitable concentrations of hazards exist only under accidental system breakdowns or abnormal operating conditions

Groups A, B, C, D (Hazardous Material in Surrounding Atmosphere):

- A = Acetylene
- B = Hydrogen, butadiene, ethylene oxide, propylene oxide and acrolein
- C = Ethylene, cyclopropane and ethyl ether
- D = Acetone, ammonia, benzene, butane, ethanol, gasoline, hexane, methane, methanol, naphtha, natural gas, propane & toluene

NEC/CE T-CODE

MODEL#	Class1, Div 1, Group C,D	Class1, Div 2, Group A,B,C,D
HAZFX30	T6	T5
HAZFX60	T6	T4
HAZFX100	T6	T4A
HAZFX100/480	T6	T4A
HAZFX150	T6	T4A
HAZFX150/480	T6	T4A
HAZFX200	T5	T4
HAZFX200/480	T5	T4

IP Rating

Ingress protection rating of IP66 for dust and water

IESNA LM-79 & LM-80 Testing:

RAB LED luminaires and LED components have been tested by an independent laboratory in accordance with IESNA LM-79 and LM-80.

LED CHARACTERISTICS

LEDs

Long-life, high-efficacy, surface-mount LEDs

Color Uniformity

RAB's range of Correlated Color Temperature follows the guidelines of the American National Standards for Specifications for the Chromaticity of Solid State Lighting (SLL) Products, ANSI C78.377-2017.

Color Consistency

7-step MacAdam Ellipse binning to achieve consistent fixture-to-fixture color.

CONSTRUCTION

Cold Weather Starting

Minimum starting temperature is -40°C (-40°F)

Maximum Ambient Temperature

30W & 60W model: Suitable for use in up to 60°C (140°F)
 150W, 200W Models: Suitable for use in up to 55°C (131°F)
 100W with 480V Models: Suitable for use in up to 60°C (140°F)

Housing

Die-cast aluminum

Mounting

Yoke and slipfitter

Tilt increment

Slipfitter: 6°

Lens

Clear glass + 7H6V Polycarbonate Lens

Reflector

Polycarbonate

Gaskets

High-temperature silicone

Vibration Rating

3G vibration rating per ANSI C136.31

Green Technology

Mercury and UV free. RoHS-compliant components.

Finish

Formulated for high durability and long lasting color

OPTICAL

NEMA Type:

NEMA Beam Spread of 7H x 6V

TECHNICAL SPECIFICATIONS (CONTINUED)

ELECTRICAL

Drivers:

Constant Current, Class 2, 120-277V, 50/60 Hz
30W: 0.25A @120V, 0.15A @208V, 0.13A @ 240V, 0.11A @ 277V

Constant Current, Class 1, 120-277V, 50/60 Hz

60W: 0.52A @120V, 0.30A @208V, 0.26A @ 240V, 0.23A @ 277V
100W: 0.87A @120V, 0.50A @208V, 0.44A @ 240V, 0.38A @ 277V
150W: 1.27A @120V, 0.73A @208V, 0.64A @ 240V, 0.55A @ 277V
200W: 1.70A @120V, 0.99A @208V, 0.85A @ 240V, 0.74A @ 277V

Constant Current, Class 1, 480V, 50/60 Hz

100W: 0.22A at 480V
150W: 0.32A at 480V
200W: 0.42A at 480V

Surge Protection:

L/N-G 10KV, L-N 6KV

Dimming Driver:

Driver includes dimming control wiring for 0-10V dimming systems. Requires separate 0-10V DC dimming circuit. Dims down to 10%.

THD:

30W: 4.07% at 120V, 14.0% at 277V
60W: 2.5% at 120V, 6.8% at 277V
100W: 1.4% at 120V, 6.3% at 277V
100W: 4.6% at 480V
150W: 2.6% at 120V, 5.2% at 277V
150W: 1.8% at 480V
200W: 5.4% at 120V, 4.3% at 277V
200W: 6.5% at 480V

ELECTRICAL

Power Factor:

30W: 99.5% at 120V, 92.3% at 277V
60W: 99.7% at 120V, 91.4% at 277V
100W: 99.9% at 120V, 96.6% at 277V
100W: 95.0% at 480V
150W: 99.9% at 120V, 95.0% at 277V
150W: 96.9% at 480V
200W: 99.5% at 120V, 95.5% at 277V
200W: 93.0% at 480V

Note: All values are typical (tolerance +/- 10%)

OTHER

Warranty

The RAB 5-year, limited warranty covers light output, driver performance and paint finish. RAB's warranty is subject to all terms and conditions found at rablighting.com/warranty

Lifespan

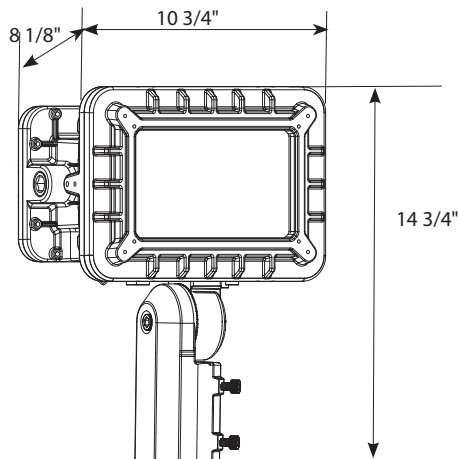
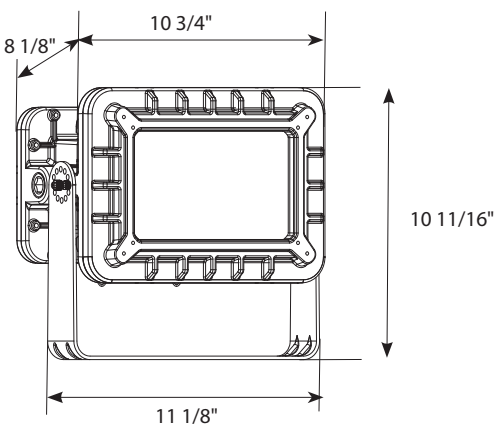
100,000-hour LED lifespan based on IES LM-80 results and TM-21 calculations

DIMENSIONS (CONTINUED)

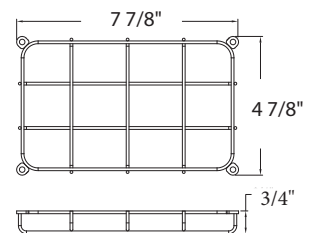
HAZFX30-60W

Weight:

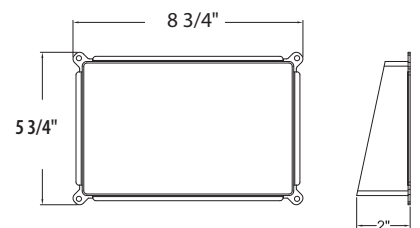
Models with yoke mount: 20.5 lbs
 Models with slipfitter mount: 22.6 lbs
 Models with Adjustable Arm: 23.7 lbs



GDHAZFXS



HHAZFXS



HAZFX Hazardous Location Floodlights



DIMENSIONS (CONTINUED)

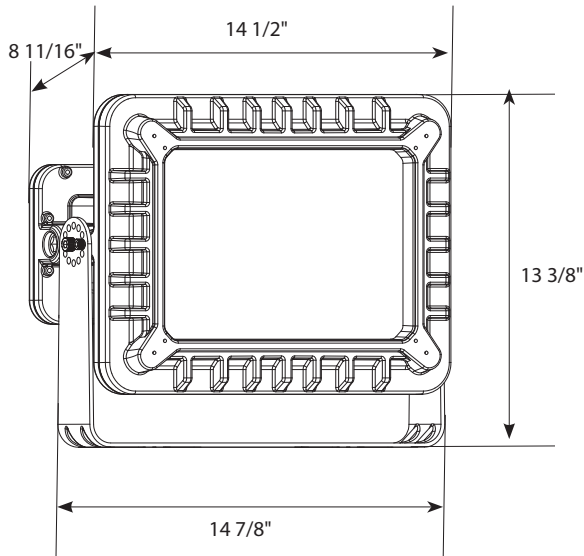
HAZFX100-200W

Weight:

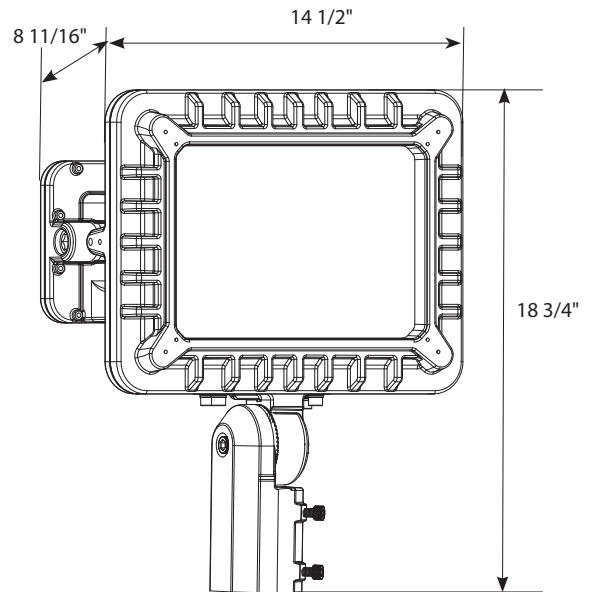
Models with yoke mount: 36.5 lbs

Models with slipfitter mount: 38.6 lbs

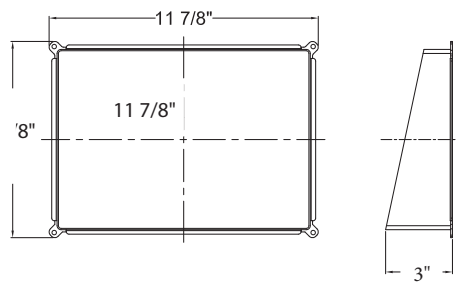
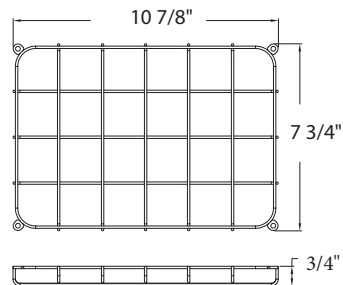
Models with Adjustable Arm: 39.7 lbs



GDHAZFXL

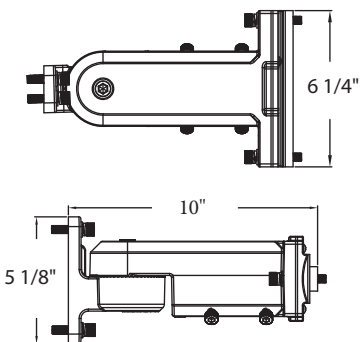


HHAZFXL



HAZFF-ADJ-ARM (30W-200W)


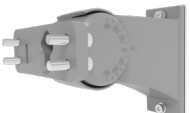
Weight: 3.6 lbs



HAZFX Hazardous Location Floodlights



ACCESSORIES

IMAGE	SKU#	UPC	DESCRIPTION
	GDHAZFXS	192552017039	HAZFX WIRED GUARD SMALL FOR 30W 60W
	GDHAZFXL	192552017046	HAZFX WIRED GUARD LARGE FOR 100W 150W 200W
	HHAZFXS	192552017053	HAZFX HOOK SMALL FOR 30W 60W
	HHAZFXL	192552017060	HAZFX HOOK LARGE FOR 100W 150W 200W
	HAZFF-ADJ-ARM	192552032476	HAZ FLOOD ADJUSTABLE ARM FOR HAZFX FIXTURES

ORDERING MATRIX

HAZFX

Family	Wattage	Mounting	Color Temp	NEMA Type	Finish	Driver
HAZFX	30 60 100 150 200	BLANK Yoke SF Slipfitter	BLANK 5000K	BLANK 7H X 6V	BLANK Gray	BLANK 120-277V, 0-10V dimming /480* 480V, 0-10V dimming

* 480V option only available on 100W, 150W, and 200W model