

# HAZPAN Hazardous Location Lighting

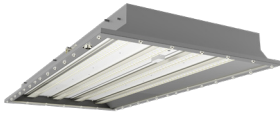
## HAZPAN2X2



## HAZPAN1X4



## HAZPAN2X4



## HAZPAN Hazardous Location Lighting



PROJECT: \_\_\_\_\_

DATE: \_\_\_\_\_

TYPE: \_\_\_\_\_

PREPARED BY: \_\_\_\_\_



### KEY FEATURES

- Available in following sizes and selectable wattages:  
2'X2': 40/60W  
1'X4': 40/60W  
2'X4': 60/80W
- Available CCT: 5000K
- Voltage rating 120-277V
- Pendant mount kit and ceiling mount kits included. Recessed mounting kit sold separately
- Designed to perform in the areas with hazardous vapor and gases
- Battery backup and microwave occupancy sensor options available. Hazardous location microwave sensor & sensor kit accessories available.
- IP66 rated
- Certified for Class 1, Division 2 (Group A, B, C, D)
- Temperature rating of T5 or T6 (chain and ceiling mount)
- UL Listed for wet location
- 5-Year, no-compromise warranty

### PERFORMANCE

MODEL#	HAZPAN2X2-40	HAZPAN2X2-60	HAZPAN1X4-40	HAZPAN1X4-60	HAZPAN2X4-60	HAZPAN2X4-80
CCT	5000K	5000K	5000K	5000K	5000K	5000K
WATTAGE	40W	60W	40W	60W	60W	80W
INPUT WATTS	40.2W	60.2W	40.1W	60.0W	60.2W	80.2W
LUMENS	5,985	8,834	5,885	8,701	9,247	12,479
EFFICACY (LM/W)	148.9	146.7	146.8	145.0	153.6	155.6
CRI	85	84	84	84	85	85
VOLTAGE RATINGS	120-277V					

### TECHNICAL SPECIFICATIONS

#### COMPLIANCE

##### UL Listed

Suitable for wet locations. Certified to UL standard 1598 and 844

##### DLC Listed

This product family is listed with the DesignLights Consortium (DLC). Individual SKUs within this family may carry either a DLC Standard or DLC Premium qualification. Please refer to the individual product specification sheet or the DLC Qualified Products List (QPL) at designlights.org to confirm the qualification status of a specific SKU prior to specification or purchase.

#### COMPLIANCE

##### Hazardous Location Classifications:

##### Class 1, Division 2(Group A,B,C,D)

Class 1 (Hazardous Material in Surrounding Atmosphere):Flammable vapors or gases may be present  
Division 2 (Presence of Hazardous Materials): Ignitable concentrations of hazards exist only under accidental system breakdowns or abnormal operating conditions

Groups A, B, C, D (Hazardous Material in Surrounding Atmosphere):

A = Acetylene

B = Hydrogen, butadiene, ethylene oxide, propylene oxide and acrolein

C = Ethylene, cyclopropane and ethyl ether

D = Acetone, ammonia, benzene, butane, ethanol, gasoline, hexane, methane, methanol, naphta, natural gas, propane & toluene

# HAZPAN Hazardous Location Lighting

## TECHNICAL SPECIFICATIONS (CONTINUED)

### CONSTRUCTION

#### Cold Weather Starting

The minimum starting temperature is -40°C (-40°F)

#### Maximum Ambient Temperature

Suitable for use in up to 50°C (122°F)

#### Cold Weather Starting for Battery Backup

The minimum starting temperature is 0°C (32°F)

#### Maximum Ambient Temperature for Battery Backup

Suitable for use in up to 70°C (158°F)

#### Mounting

All models come standard with ceiling mount and pendant mount kits. Recessed mount kit will be sold as an accessory.

#### Housing

Sheet metal

#### Lens

Polycarbonate

#### Gasket

Silicone

#### IP Rating

Ingress protection rating of IP66 for dust and water

#### Green Technology

Mercury and UV free. RoHS-compliant components.

#### Finish

Formulated for high durability and long lasting color

### LED CHARACTERISTICS

#### LEDs

Long-life, high-efficacy, discrete, surface-mount LEDs

#### Color Consistency

7-step MacAdam Ellipse binning to achieve consistent fixture-to-fixture color

#### Color Uniformity

RAB's range of Correlated Color Temperature follows the guidelines of the American National Standard for Specifications for the Chromaticity of Solid State Lighting (SSL) Products, ANSI C78.377-2017.

### ELECTRICAL

#### Drivers:

Constant Current, Class 2, 120-277V, 50/60 Hz

HAZPAN2X2

**40W:** 120V: 0.34A, 208V: 0.19A, 240V: 0.17A, 277V: 0.16A

**60W:** 120V: 0.50A, 208V: 0.29A, 240V: 0.25A, 277V: 0.24A

HAZPAN1X4

**40W:** 120V: 0.33A, 208V: 0.19A, 240V: 0.17A, 277V: 0.16A

**60W:** 120V: 0.50A, 208V: 0.29A, 240V: 0.25A, 277V: 0.24A

HAZPAN2X4

**60W:** 120V: 0.50A, 208V: 0.29A, 240V: 0.25A, 277V: 0.24A

**80W:** 120V: 0.67A, 208V: 0.39A, 240V: 0.33A, 277V: 0.30A

#### Dimming Driver:

Driver includes dimming control wiring for 0-10V dimming systems. Requires separate 0-10V DC dimming circuit. Dims down to 10%.

### ELECTRICAL

#### THD / Power Factor:

MODEL#	THD	POWER FACTOR	THD	POWER FACTOR
HAZPAN2X2-40	4.2%	99.5%	14.4%	90.3%
HAZPAN2X2-60	2.3%	99.7%	8.2%	90.8%
HAZPAN1X4-40	5.6%	99.5%	16.8%	90.4%
HAZPAN1X4-60	2.7%	99.6%	8.9%	90.4%
HAZPAN2X4-60	2.9%	99.7%	8.4%	90.7%
HAZPAN2X4-80	2.6%	99.9%	12.0%	94.4%
INPUT VOLTAGE	120V		277V	

#### Battery Backup:

Battery backup will operate the LED Lamp for 90 minutes if power falls. Wired for 120-277V.

#### Surge Protection

L/N-PE: 10kV, L-N: 6kV

#### Temperature Ratings:

MODEL#	AMBIENT TEMPERATURE	T-CODE	MOUNTING
HAZPAN2X2-40	-40°C to 40°C	T6	
	-40°C to 56°C	T6	
	-40°C to 66°C	T5	
HAZPAN2X2-60	-40°C to 40°C	T6	
	-40°C to 56°C	T5	
	-40°C to 66°C	T5	
HAZPAN1X4-40	-40°C to 40°C	T6	Recessed
	-40°C to 56°C	T6	Ceiling
	-40°C to 66°C	T6	Pendant
HAZPAN1X4-60	-40°C to 40°C	T6	
	-40°C to 56°C	T5	
HAZPAN2X4-60	-40°C to 40°C	T6	
	-40°C to 56°C	T6	
HAZPAN2X4-80	-40°C to 40°C	T6	

# HAZPAN Hazardous Location Lighting

## TECHNICAL SPECIFICATIONS

### MICROWAVE OCCUPANCY SENSOR (OPTIONAL) WITH THE MSR2 REMOTE

- 12VDC Input, IC Solution
- On/off control
- Operating Voltage: 10-15V
- Detection Sensitivity: 25%/50%/75%/100%
- Microwave Frequency: 5.8GHz ± 75MHz
- Hold Time: 5 sec/30 sec/1 min/10 min/20 min/30 min
- Microwave Power: <0.3mW
- Switching Capacity: <40mA
- Daylight Threshold: 2Lux/10Lux/30Lux/50Lux/80Lux/120Lux/Disable
- Mounting Height: 2.5 - 4.5 m/8.2 - 14.76 ft
- Operating Current: < 30mA
- Stand-by Period: 0 sec/10 sec/30 sec/1 min/5 min/10 min/+∞
- Detection Range: 3 - 7 m/ 9.84 - 22.96 Ft
- Control Method: 0-10V
- Stand-by Dimming Level: 10%/20%/30%/50%
- Detection Angle: 360° (Ceiling Mounted)
- Operating Temperature: -35°C to 70°C
- Factory Default Setting:
- Detection area 100%
- Hold time 5sec
- Daylight threshold Disable
- Stand-by period 0 sec
- Stand-by dimming level 10%.

### OTHER

#### Warranty

The RAB 5-year, no-compromise warranty covers light output, color stability, driver performance, paint finish and labor. RAB's warranty is subject to all terms and conditions found at [rablighting.com/warranty](http://rablighting.com/warranty).

#### Lifespan:

100,000-Hour LED lifespan based on IES LM-80 results and TM-21 calculations

## ACCESSORIES

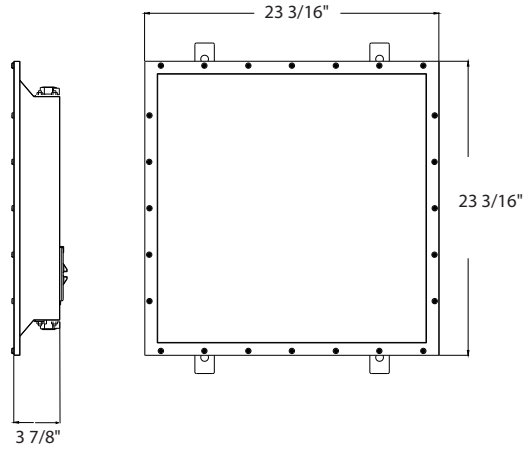
IMAGE	SKU#	UPC	DESCRIPTION	WEIGHT
	HAZPANRM2X2	192552038171	RECESSED MOUNT KIT FOR HAZPAN2X2 MODELS	11.9 lbs
	HAZPANRM1X4	192552038164	RECESSED MOUNT KIT FOR HAZPAN1X4 MODELS	14.6 lbs
	HAZPANRM2X4	192552038188	RECESSED MOUNT KIT FOR HAZPAN2X4 MODELS	19.0 lbs
	HAZMVS	192552038027	C1D2 MVS SENSOR MAX 32FT HEIGHT IP66 HAZ LOCATION W/REMOTE CONTROL	1.76 lbs
	HAZMVS-KIT	192552038034	EXTENSION KIT FOR HAZMVS HAZARDOUS LOCATION	1.76 lbs

# HAZPAN Hazardous Location Lighting

## DIMENSIONS

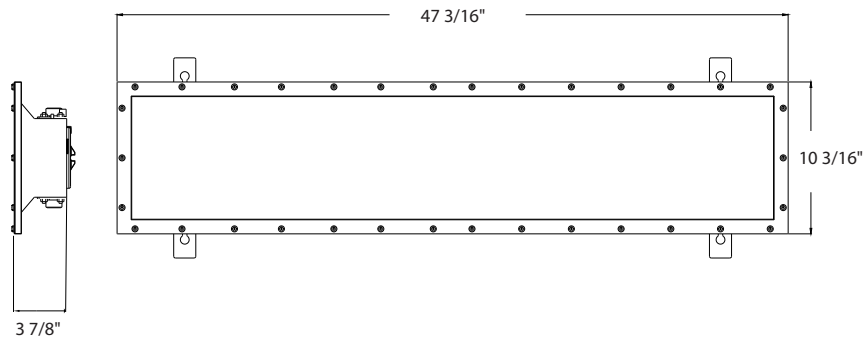
### HAZPAN2X2

Weight: 35.93 lbs



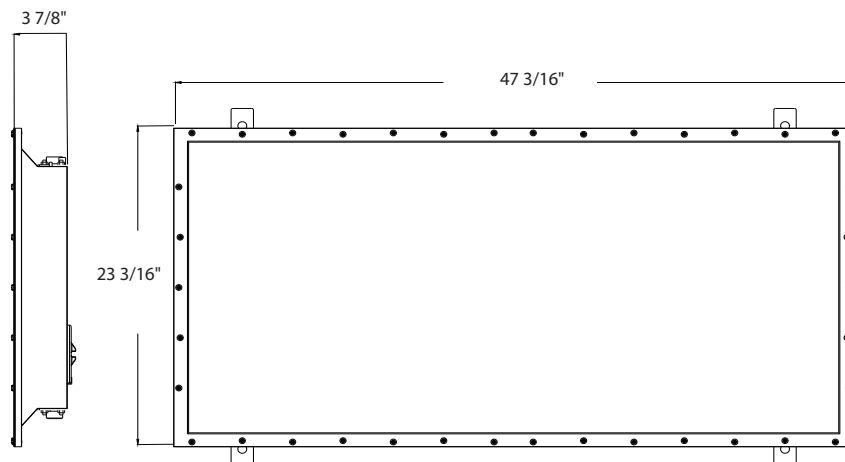
### HAZPAN1X4

Weight: 29.98 lbs



### HAZPAN2X4

Weight: 53.35 lbs



# HAZPAN Hazardous Location Lighting

## ORDERING MATRIX

### HAZPAN

Family	Size	Wattage	Color Temp	Finish	Mount	Voltage	Options
HAZPAN		-					
	2X2 2 ft X 2 ft	40	40W*	BLANK 5000K	BLANK Gray	BLANK	No Option
	1X4 1 ft X 4 ft	60	60W**		Pendant / Ceiling Mount	120-277V, 0-10V Dimming	Microwave Occupancy Sensor (Internal)
	2X4 2 ft X 4 ft	80	80W***				Battery Backup

\* Available in 2 ft x 2 ft and 1 ft x 4 ft models  
 \*\* Available in all models  
 \*\*\* Available in 2 ft x 4 ft models only