

HERITAGE Decorative Lantern



HTG (LED Models):



HTG-R



HTG-RP



HTG-RPWM



HTG-S



HTG-SP



HTG-SWM

HTGL (EX39 Base Models):



HTGL-R



HTGL-RP



HTGL-RWM



HTGL-S



HTGL-SP



HTGL-SWM

PROJECT: _____

DATE: _____

TYPE: _____

PREPARED BY: _____



KEY FEATURES

- Available in two shapes & selectable wattages:
Round and Square: 120/100/80/60W (Default 120W)
CCT: 3500/4000/5000K Adjustable (Default 4000K)
- Selectable optics: Type III / Type V (Default Type V)
- Three mounting options: **Pole** mount, **pendant** mount, and **wall** mount
- On/Off photocell included
- Clear lens standard for all models; frosted lenses offered as accessories. House-side shields, finials and other mounting accessories sold separately.
- 120-277V; 480V models available
- Available with integrated occupancy and daylight sensors, additional accessories sold separately.
- 5-year limited warranty

Field-Adjustable LED or EX39 Base



PERFORMANCE

HTG, Type V Models with frame, no lens:

HTGR TYPE V	3000K	4000K	5000K	3000K	4000K	5000K	3000K	4000K	5000K	3000K	4000K	5000K
Watts	120W			100W			80W			60W		
Input Watt	117.1W	112.9W	117.2W	98.4W	95.8W	98.5W	77.7W	76W	77.8W	55.1W	54.3W	55.1W
Lumens	14,400	15,174	14,831	12,453	13,122	12,826	10,162	10,708	10,466	7,404	7,802	7,626
Efficacy	123	134.4	126.5	126.6	137	130.2	130.8	140.9	134.5	134.4	143.7	138.4
CRI	82	84	83	82	84	83	82	84	83	83	84	83
Voltage Rating	120-277V											

HTGR TYPE V	3000K	4000K	5000K	3000K	4000K	5000K	3000K	4000K	5000K	3000K	4000K	5000K
Watts	120W			100W			80W			60W		
Input Watt	117.1W	113.1W	117W	103.2W	100.7W	103.1W	84.2W	82.5W	84.1W	61.7W	60.9W	61.6W
Lumens	14,837	15,642	15,202	13,338	14,062	13,666	11,047	11,646	11,319	8,218	8,664	8,420
Efficacy	126.7	138.3	129.9	129.2	139.6	132.6	131.2	141.2	134.6	133.2	142.3	136.7
CRI	82	84	83	82	84	83	82	84	83	82	84	83
Voltage Rating	480V											

HERITAGE Decorative Lantern



PERFORMANCE

HTGS TYPE V	3000K	4000K	5000K	3000K	4000K	5000K	3000K	4000K	5000K	3000K	4000K	5000K
Watts	120W			100W			80W			60W		
Input Watt	117.5W	113.4W	117.4W	99W	96.5W	98.9W	78.3W	76.7W	78.2W	56W	55.2W	56W
Lumens	14,607	15,401	14,954	12,554	13,236	12,852	10,224	10,780	10,467	7,526	7,935	7,705
Efficacy	124.3	135.8	127.4	126.8	137.2	129.9	130.6	140.5	133.8	134.4	143.8	137.6
CRI	82	84	83	82	84	83	82	84	83	82	84	83
Voltage Rating	120-277V											

HTGS TYPE V	3000K	4000K	5000K	3000K	4000K	5000K	3000K	4000K	5000K	3000K	4000K	5000K
Watts	120W			100W			80W			60W		
Input Watt	117.2W	113.2W	117.1W	102.6W	100.1W	102.5W	83.8W	82.2W	83.7W	62.1W	61.3W	62W
Lumens	14,890	15,702	15,229	13,200	13,920	13,501	10,971	11,569	11,221	8,250	8,700	8,438
Efficacy	127	138.7	130.1	128.7	139.1	131.7	130.9	140.7	134.1	132.9	141.9	136.1
CRI	82	84	83	82	84	83	82	84	83	82	84	83
Voltage Rating	480V											

HTG, Type III Models with frame, no lens:

HTGR TYPE III	3000K	4000K	5000K	3000K	4000K	5000K	3000K	4000K	5000K	3000K	4000K	5000K
Watts	120W			100W			80W			60W		
Input Watt	117.2W	113.4W	117.4W	99.6W	97.3W	99.8W	78.5W	77.1W	78.6W	55.3W	54.7W	55.4W
Lumens	14,750	15,274	14,483	12,828	13,284	12,596	10,415	10,785	10,226	7,570	7,839	7,433
Efficacy	125.9	134.7	123.4	128.8	136.5	126.2	132.7	139.9	130.1	136.9	143.3	134.2
CRI	82	85	83	82	85	83	82	85	83	82	85	83
Voltage Rating	120-277V											

HTGR TYPE III	3000K	4000K	5000K	3000K	4000K	5000K	3000K	4000K	5000K	3000K	4000K	5000K
Watts	120W			100W			80W			60W		
Input Watt	117W	113.1W	117W	103.1W	100.7W	103.1W	84.2W	82.6W	84.2W	62W	61.3W	62W
Lumens	15,133	15,541	14,793	13,473	13,836	13,170	11,203	11,505	10,951	8,373	8,599	8,185
Efficacy	129.3	137.4	126.4	130.7	137.4	127.7	133.1	139.3	130.1	135	140.3	132
CRI	82	85	83	82	85	83	82	85	83	82	85	83
Voltage Rating	480V											

PERFORMANCE

HTGS TYPE III	3000K	4000K	5000K	3000K	4000K	5000K	3000K	4000K	5000K	3000K	4000K	5000K
Watts	120W			100W			80W			60W		
Input Watt	117W	112.9W	117.1W	98.2W	95.7W	98.3W	77.6W	76W	77.7W	55.6W	54.8W	55.6W
Lumens	14,472	15,010	14,459	12,478	12,942	12,467	10,140	10,517	10,131	7,472	7,750	7,465
Efficacy	123.7	132.9	123.5	127.1	135.2	126.8	130.7	138.4	130.4	134.4	141.4	134.3
CRI	82	85	83	82	85	83	82	85	83	82	85	83
Voltage Rating	120-277V											

HTGS TYPE III	3000K	4000K	5000K	3000K	4000K	5000K	3000K	4000K	5000K	3000K	4000K	5000K
Watts	120W			100W			80W			60W		
Input Watt	117W	113.1W	117.1W	103.1W	100.7W	103.2W	83.7W	82.1W	83.8W	62.6W	61.8W	62.7W
Lumens	14,806	15,381	14,801	13,233	13,747	13,229	10,951	11,376	10,947	8,314	8,637	8,311
Efficacy	126.5	136	126.4	128.4	136.5	128.2	130.8	138.6	130.6	132.8	139.8	132.6
CRI	82	85	83	82	85	83	82	85	83	82	85	83
Voltage Rating	480V											

TECHNICAL SPECIFICATIONS

COMPLIANCE

UL Listed

Suitable for wet locations

IK Ratings

IK08 rated for protection against impact

DLC Listed

This product family is listed with the DesignLights Consortium (DLC). Individual SKUs within this family may carry either a DLC Standard or DLC Premium qualification. Please refer to the individual product specification sheet or the DLC Qualified Products List (QPL) at designlights.org to confirm the qualification status of a specific SKU prior to specification or purchase.

LED CHARACTERISTICS

LEDS

Long-life, high-efficacy, discrete, surface-mount LEDs

Color Uniformity

RAB's range of Correlated Color Temperature follows the guidelines of the American National Standards for Specifications for the Chromaticity of Solid State Lighting (SLL) Products, ANSI C78.377-2017.

CONSTRUCTION

Cold Weather Starting

Minimum starting temperature is -40°F (-40°C)

Maximum Ambient Temperature

Suitable for use in up to 104°F (40°C)

Housing

Die-cast aluminum

Mounting

Pole Mount, Pendant Mount or Wall Mount options

Base

EX39 base included on HTGL models (No lamp included)

Lens

Polycarbonate lens

Gasket

High-temperature silicone gasket

IP Ratings

Ingress protection rating of IP65 for dust and water

IES Classifications

Type III - Ideal for roadway, general parking, and other area lighting applications where a larger pool of lighting is required. It is intended to be located near the side of the area, allowing the light to project outward and fill the area.

Type V - Produces a wide and uniform 360° pattern that is perfect for large outdoor areas such as parking lots and pathways.

TECHNICAL SPECIFICATIONS

CONSTRUCTION (CONTINUED)

EPA:

HTG-R: 0.7

HTG-S: 0.9

Green Technology

Mercury and UV free. RoHS-compliant components.

Finish

Formulated for high durability and long lasting color. Available in bronze, or black finish.

ELECTRICAL

Drivers:

HTG-R and HTG-S

Constant Current, Class 2, 120-277V, 50/60 Hz

120W: 120V: 0.95A, 208V: 0.55A, 240V: 0.48 277V: 0.41A

100W: 120V: 0.81A, 208V: 0.48A, 240V: 0.41, 277V: 0.36A

80W: 120V: 0.46A, 208V: 0.39A, 240V: 0.34A, 277V: 0.29A

60W: 120V: 0.46A, 208V: 0.29A, 240V: 0.25A, 277V: 0.22A

HTG-R/480 and HTG-S/480

Constant Current, Class 2, 120-277V, 50/60 Hz

120W: 480V: 0.24A

100W: 480V: 0.20A

80W: 480V: 0.16A

60W: 480V: 0.11A

THD / Power Factor:

Model	120V		277V		480V	
HTGR/T5	4.9%	99.8%	5.7%	97.0%	11.5%	95.0%
HTGS/T5	5.0%	99.8%	5.8%	97.0%	10.8%	95.0%

Dimming Driver:

Driver includes dimming control wiring for 0-10V dimming systems. Requires separate 0-10V DC dimming circuit. Dims down to 10%.

Note: Lightcloud Blue models do not require 0-10V dimming circuit.

Photocell:

Integrated photocell included with on/off switch

Max Wattage with HTGL:

63W HID to 250W MH Lamp for HGTL skus with EX39 base.

FACTORY DEFAULT

Selectable Wattage:

120/100/80/60W (Default 120W)

Selectable Distribution:

T3/T5 (Default T5)

CCT Adjustable:

3000/4000/5000K (Default 4000K)

Note: Lightcloud Blue models offer wireless dimming features.

Integrated On/Off Photocell:

Default Off

Note: 120/277V & 480V twistlock photocells sold separately

MICROWAVE OCCUPANCY SENSORS

Input Voltage: 12VDC

Operating Frequency: 50/60Hz

Input Current: 30mA

Operating Temperature: -40°F to 140°F (-20°C to 60°C)

Max Mounting Height: 50 ft

Detection Range: 50 ft. diameter mounted at 50 ft. (/MVS & /LCBS/MVS);

Daylight Sensing: The sensor will determine to trigger the light(s) on or not based on the daylight threshold level set.

Default Settings:

Motion Sensitivity: High

Brightness when triggered : 100%

Hold time: 1 minute (20 minutes for LCB sensors)

Standby to dim: 20%

Standby time: 1 minute

When vacant: Off

Adjustable Settings: Settings for Lightcloud Blue-enabled sensors can be adjusted using the mobile app. All other sensors will require MSR1 Remote to adjust the following sensor settings:

Standby to dim: 10%/20%/30%/50%

Standby time: 0s/10s/30s/1min/5min/10min/30min/60min/+∞

Daylight Threshold: 2Lux/10Lux/30Lux/50Lux/80Lux/120Lux/

DisableDaylight Threshold: 2Lux/10Lux/30Lux/50Lux/80Lux/120Lux/

Disable

OTHER

Warranty

The RAB 5-year, limited warranty covers light output, driver performance and paint finish. RAB's warranty is subject to all terms and conditions found at rablighting.com/warranty.

Lifespan

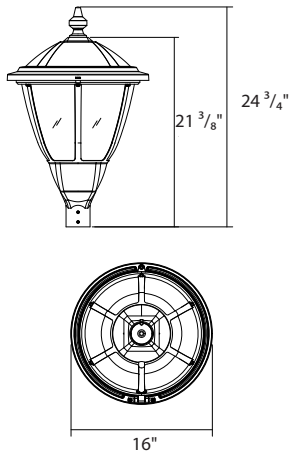
100,000-hour LED lifespan based on IES LM-80 results and -21 calculations

HERITAGE Decorative Lantern

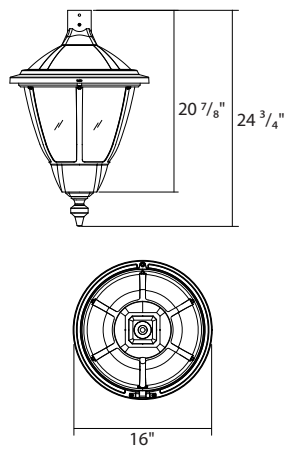


DIMENSIONS

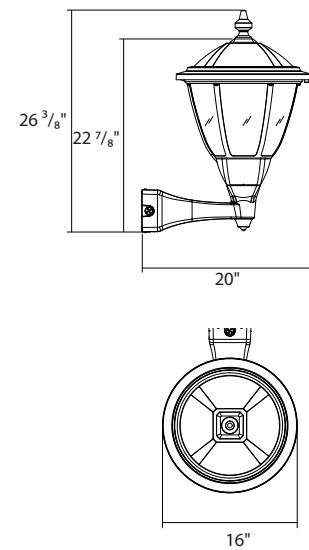
HTG-R
HTGL-R
Weight: 9.55 lbs



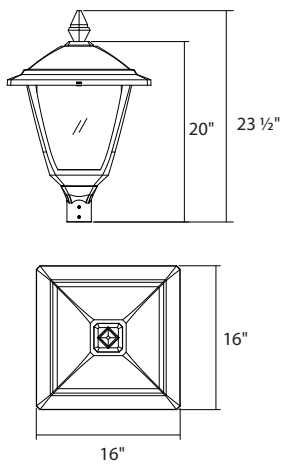
HTG-RP
HTGL-RP



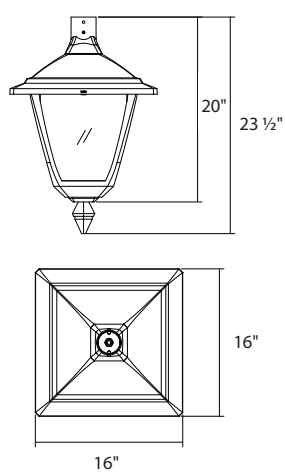
HTG-RWM
HTGL-RWM



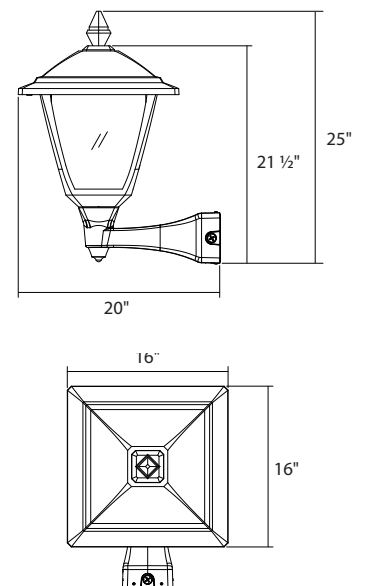
HTG-S
HTGL-S
Weight: 9.55 lbs



HTG-SP
HTGL-SP



HTG-SWM
HTGL-SWM



HERITAGE Decorative Lantern



ACCESSORIES

Lenses



HTG-S-C HTG-S-F HTG-S-P

Round Lenses



HTG-R-C HTG-R-F HTG-R-P

ACCESSORY	UPC	DESCRIPTION
HTG-S-C	192552053198	HTG SQUARE CLEAR LENS 4PCS PER PACK
HTG-S-F	192552053204	HTG SQUARE FROSTED LENS 4PCS PER PACK
HTG-S-P	192552053211	HTG SQUARE PRISMATIC LENS 4PCS PER PACK
HTG-R-C	192552053235	HTG ROUND CLEAR LENS 6PCS PER PACK
HTG-R-F	192552053242	HTG ROUND FROSTED LENS 6PCS PER PACK
HTG-R-P	192552053259	HTG ROUND PRISMATIC LENS 6PCS PER PACK

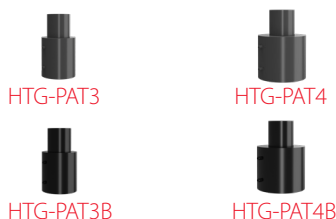
House Side Shields



HTG-S-HS HTG-R-HS

ACCESSORY	UPC	DESCRIPTION
HTG-S-HS	192552053228	HTG SQUARE HOUSE SIDE SHIELD 4PCS PER PACK
HTG-R-HS	192552053266	HTG ROUND HOUSE SIDE SHIELD 6PCS PER PACK

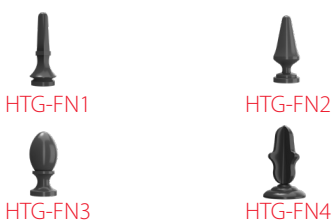
Pole Adaptor tenons



HTG-PAT3 HTG-PAT4
HTG-PAT3B HTG-PAT4B

ACCESSORY	UPC	DESCRIPTION
HTG-PAT3	192552053273	HTG POLE ADAPTOR TENON 2 3/8" to 3" BRONZE
HTG-PAT4	192552053280	HTG POLE ADAPTOR TENON 2 3/8" to 4" BRONZE
HTG-PAT3B	192552053297	HTG POLE ADAPTOR TENON 2 3/8" to 3" BLACK
HTG-PAT4B	192552053303	HTG POLE ADAPTOR TENON 2 3/8" to 4" BLACK

Finials (Bronze Finish)



HTG-FN1 HTG-FN2
HTG-FN3 HTG-FN4

ACCESSORY	UPC	DESCRIPTION
HTG-FN1	192552053310	HTG FINIAL 1 BRONZE
HTG-FN2	192552053327	HTG FINIAL 2 BRONZE
HTG-FN3	192552053334	HTG FINIAL 3 BRONZE
HTG-FN4	192552053341	HTG FINIAL 4 BRONZE

Finials (Black Finish)



HTG-FN1B HTG-FN2B
HTG-FN3B HTG-FN4B

ACCESSORY	UPC	DESCRIPTION
HTG-FN1B	192552053358	HTG FINIAL 1 BLACK
HTG-FN2B	192552053365	HTG FINIAL 2 BLACK
HTG-FN3B	192552053372	HTG FINIAL 3 BLACK
HTG-FN4B	192552053389	HTG FINIAL 4 BLACK

HTG-VHOOK



ACCESSORY	UPC	DESCRIPTION
HTG-VHOOK	192552054263	HERITAGE VHOOK WITH 40IN CHAIN

HERITAGE Decorative Lantern



ACCESSORIES

Photocell & Multi-sensor remote



R-3P-PCT &
R-3P-PCT-480V



LCTWIST/K



MSR1

ACCESSORY	UPC	DESCRIPTION
R-3P-PCT	192552004299	RAB 3-PIN TWIST LOCK PHOTOCELL 120/277V
R-3P-PCT-480V	192552004305	RAB 3-PIN TWIST LOCK PHOTOCELL 480V
LCTWIST/K	019813832111	LC TWIST LOCK PHOTOCELL 120/277V IP66 BLACK
MSR1	192552026055	MULTI SENSOR REMOTE

ORDERING MATRIX

HERITAGE - Decorative Lantern

Family	Shape	Distribution	Wattage	Mounting	Color temp	Finish	Driver	Controls
HTG	-							
R S	Round Square	BLANK Type III / Type V	BLANK 120/100/80/60W	BLANK P Pole Mount WM Pendant Mount Wall Mount	BLANK 3000/4000/5000K	BLANK B Bronze Black	BLANK /480 120-277V 480V	BLANK /7PRS 7-Pin Receptacle w/Shorting Cap* /MVS Microwave Sensor /LCBS/MVS Lightcloud® Blue MVS Sensor

*/7PRS is not available for Pendant Mount

HERITAGE - Decorative Lantern w/EX39 Base

Family	Shape	Mounting	Finish
HTGL	-		
R S	Round Square	BLANK P Pole Mount WM Pendant Mount Wall Mount	BLANK B Bronze Black