

INSTRUCTIONS

HERITAGE™ FIELD-ADJUSTABLE INSTALLATION

RAB®

RAB Lighting is committed to creating high-quality, affordable, well-designed and energy-efficient LED lighting and controls that make it easy for electricians to install and end users to save energy. We'd love to hear your comments. Please call the Marketing Department at 888-RAB-1000 or email: marketing@rablighting.com

** DON'T TOSS IT—RECYCLE IT! MAKE THE SUSTAINABLE CHOICE BY RECYCLING THIS FIXTURE AT END OF LIFE WITH A LICENSED RECYCLING PROVIDER. **



HTGL-R



HTGL-RP



HTGL-S



HTGL-SP

IMPORTANT

READ CAREFULLY BEFORE INSTALLING FIXTURE. RETAIN THESE INSTRUCTIONS FOR FUTURE REFERENCE.

RAB fixtures must be wired in accordance with the National Electrical Code and all applicable local codes. Proper grounding is required for safety. THIS PRODUCT MUST BE INSTALLED IN ACCORDANCE WITH THE APPLICABLE INSTALLATION CODE BY A PERSON FAMILIAR WITH THE CONSTRUCTION AND OPERATION OF THE PRODUCT AND THE HAZARDS INVOLVED.

WARNING: Make certain power is OFF before installing or maintaining fixture. No user serviceable parts inside.

CAUTION: For proper weatherproof function all gaskets must be seated properly and all screws inserted and tightened firmly. Apply weatherproof silicone sealant around the edge of the Junction Box. This is especially important with an uneven surface.

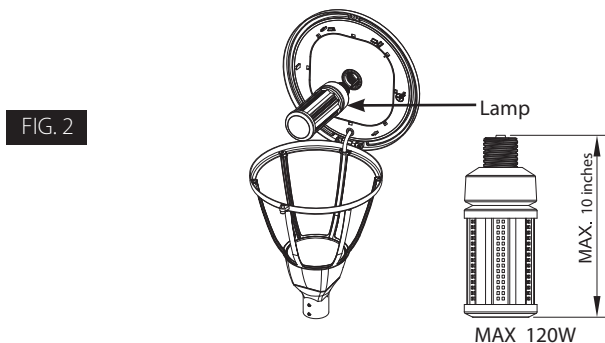
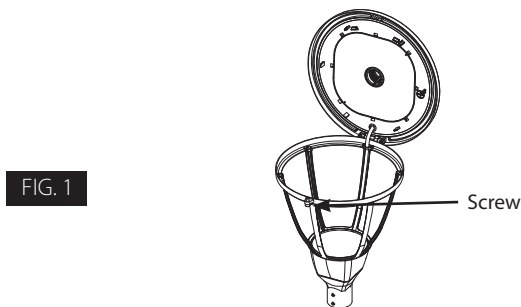
Suitable for Wet locations.

Suitable for mounting within 1.2m (4ft) of the ground.

Min 75°C supply conductors.

LAMP INSTALLATION

1. Loosen **Screw** to open top **Cover** as shown in Fig. 1.
2. Verify that the **Lamp** selected does not exceed **10 inches**.
3. Use a **Mogul Base LED Lamp** not to exceed 120W (*not included*).
4. Screw the **Lamp** into the lamp holder as shown in Fig. 2.
5. Close top **Cover** and secure with **Screw**.



POLE MOUNT INSTALLATION

HTG-PAT3, HTG-PAT4 Pole Adaptor ordered separately.

1. Feed supply wires from the **Pole** to connect to the **Fixture**.
2. Make electrical connections as shown in Fig. 3 and refer to wiring diagram (Fig. 19).
3. Install the Fixture on the **Pole** and tighten (2) **Screws** (*provided*) as shown in Fig. 4.
4. If the **Pole** is 3" or 4" add **HTG-PAT3** or **HGT-PAT4** (*ordered separately*) as shown in Fig. 5.

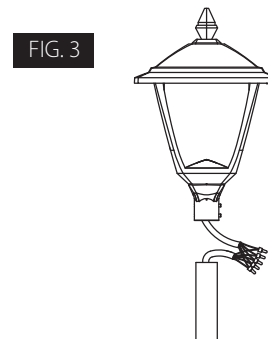


FIG. 3

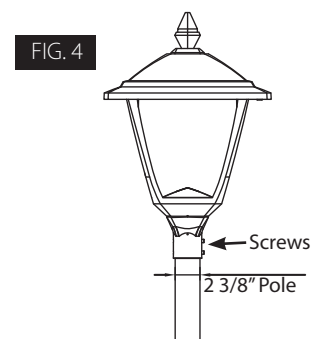


FIG. 4

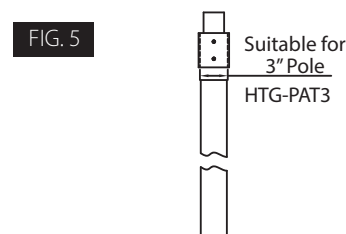
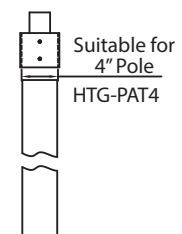


FIG. 5



INSTRUCTIONS

HERITAGE™ FIELD-ADJUSTABLE INSTALLATION

RAB®

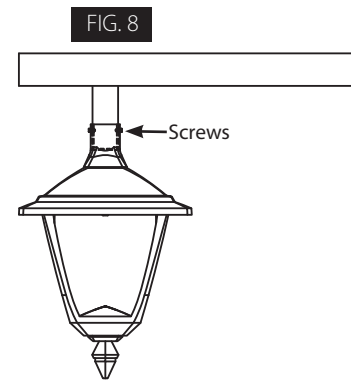
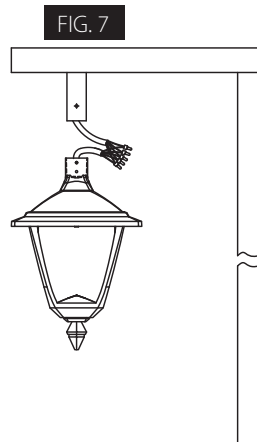
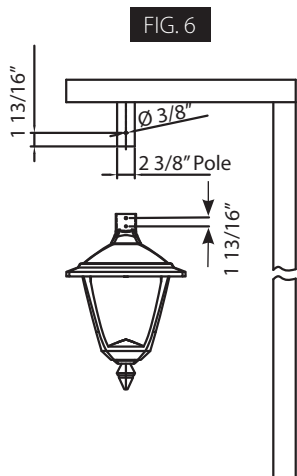
RAB Lighting is committed to creating high-quality, affordable, well-designed and energy-efficient LED lighting and controls that make it easy for electricians to install and end users to save energy. We'd love to hear your comments. Please call the Marketing Department at 888-RAB-1000 or email: marketing@rablighting.com

** DON'T TOSS IT—RECYCLE IT! MAKE THE SUSTAINABLE CHOICE BY RECYCLING THIS FIXTURE AT END OF LIFE WITH A LICENSED RECYCLING PROVIDER. **

PENDANT MOUNT INSTALLATION

1. Drill holes in **Pendant** (*by others*) according to the diagram as shown in Fig. 6.
2. Feed supply wires from the **Pendant** to connect the **Fixture** and make appropriate wire connections as shown in Fig. 7, reference wiring diagram (*Fig. 19*).
3. Install the Fixture on the **Pendant** and tighten (2) **Screws** (*provided*) as shown in Fig. 8.

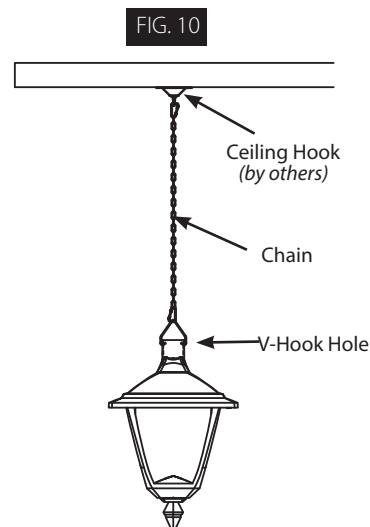
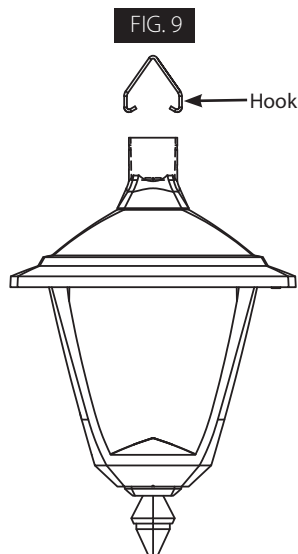
Important: Screws should be secured into drilled holes by installer to prevent Screws from slipping out (*Fig. 8*).



CHAIN MOUNT INSTALLATION

HTG-VHOOK ordered separately (Hook with 40" Chain).

1. Prepare the **Chain** (*ordered separately, HTG-VHOOK*) and power cord, measure to the desired length.
2. Thread the **Hook** through the **Chain** and hang into the Fixture **V-Hook** holes (*Fig. 9*). **Ceiling Hook** mount hardware provided by others.
3. Feed Fixture supply wires to the **Junction Box** (*by others*), *Fig. 10* and make appropriate wire connection per NEC and local codes, reference wiring diagram, *Fig. 19*.



INSTRUCTIONS

HERITAGE™ FIELD-ADJUSTABLE INSTALLATION

RAB®

RAB Lighting is committed to creating high-quality, affordable, well-designed and energy-efficient LED lighting and controls that make it easy for electricians to install and end users to save energy. We'd love to hear your comments. Please call the Marketing Department at 888-RAB-1000 or email: marketing@rablighting.com

**** DON'T TOSS IT—RECYCLE IT! MAKE THE SUSTAINABLE CHOICE BY RECYCLING THIS FIXTURE AT END OF LIFE WITH A LICENSED RECYCLING PROVIDER. ****

WALL MOUNT INSTALLATION

1. Separate **Wall Mount Arm** from **Junction Box** (*provided*) as shown in Fig. 11.
2. Orient **Junction Box** so that the “UP” Arrow is facing up as shown in Fig. 12.
3. Secure **Junction Box** to a sturdy surface. Make sure **Junction Box Gasket** is seated properly. Use appropriate mounting hardware (*by others*).
4. Apply weatherproof silicone sealant around the **Junction Box**. This is especially important with an uneven surface.
5. Bring Fixture up to the **Junction Box** and slide the **Tether Cable** from inside the **Wall Mount Arm** into **Key Slot Hole** (*Fig. 13*) for hands free wiring.
6. Feed supply wires through **Junction Box** and wire the Fixture using appropriate wire connectors as per NEC and local codes, refer to wiring diagram (*Fig. 19*).
7. Check that the **Junction Box Gasket** is secure between the **Wall Mount Arm** and **Junction Box**. Secure **Junction Box** to **Wall Mount Arm** using (4) **Set Screws** provided as shown in Fig. 13.

FIG. 11

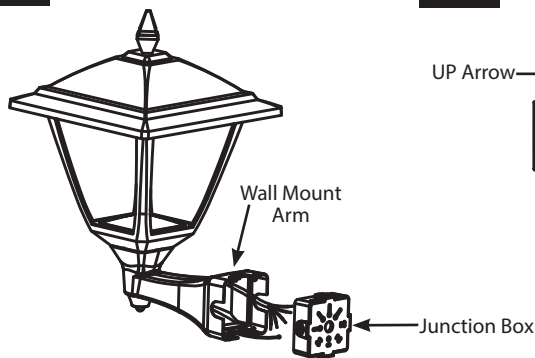


FIG. 12

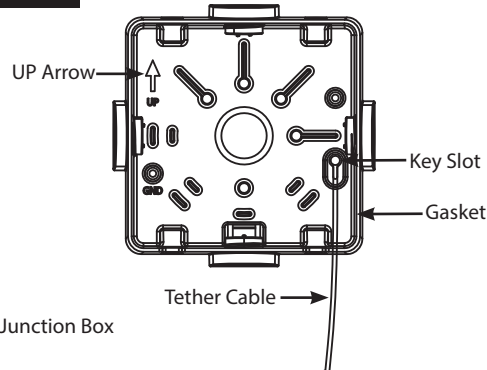
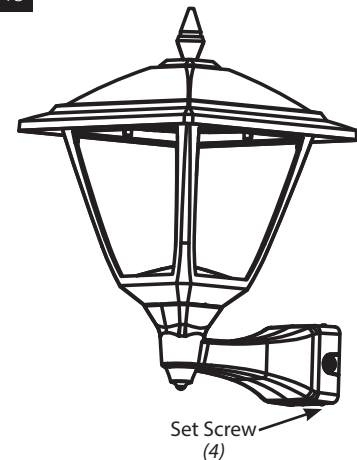


FIG. 13



LENS INSTALLATION

Lens accessories are ordered separately.

- HTG-S-C Clear Lens for square Heritage
- HTG-S-F Frosted Lens for square Heritage
- HTG-S-P Prismatic lens for square Heritage
- HTG-S-HS House Side Shield for square Heritage
- HTG-R-C Clear Lens for round Heritage
- HTG-R-F Frosted Lens for round Heritage
- HTG-R-P Prismatic lens for round Heritage
- HTG-R-HS House Side Shield for round Heritage

1. Loosen **Screw** to open the **Fixture** top as shown in Fig.14.
2. Insert **Lens** into **Fixture** as shown in Fig.15.
3. Close the **Fixture** top and secure with **Screw** as shown in Fig.16.

INSTRUCTIONS

HERITAGE™ FIELD-ADJUSTABLE INSTALLATION

RAB®

RAB Lighting is committed to creating high-quality, affordable, well-designed and energy-efficient LED lighting and controls that make it easy for electricians to install and end users to save energy. We'd love to hear your comments. Please call the Marketing Department at 888-RAB-1000 or email: marketing@rablighting.com

** DON'T TOSS IT—RECYCLE IT! MAKE THE SUSTAINABLE CHOICE BY RECYCLING THIS FIXTURE AT END OF LIFE WITH A LICENSED RECYCLING PROVIDER. **

FIG. 14

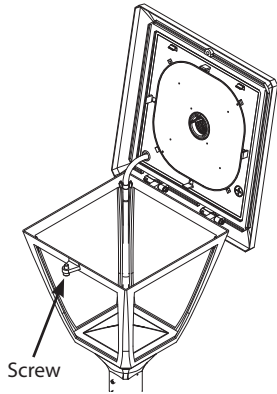


FIG. 15

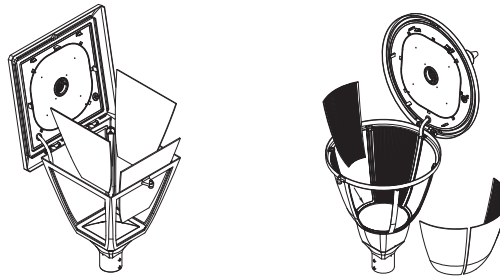
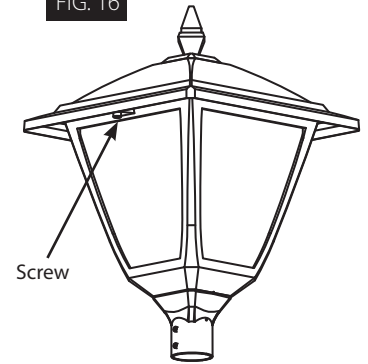


FIG. 16



FINIALS INSTALLATION

Final accessories are ordered separately.

- HTG-FN1 Heritage Finial
- HTG-FN2 Heritage Finial
- HTG-FN3 Heritage Finial
- HTG-FN4 Heritage Finial

1. Remove original **Finial** as shown in Fig.17.
2. Select **Finial** as shown in Fig.18, install to the fixture and secure.

FIG. 17

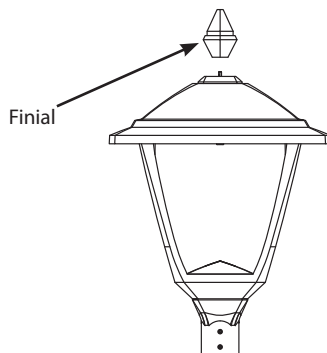


FIG. 18



FN1



FN2



FN3



FN4

INSTRUCTIONS

HERITAGE™ FIELD-ADJUSTABLE INSTALLATION



RAB Lighting is committed to creating high-quality, affordable, well-designed and energy-efficient LED lighting and controls that make it easy for electricians to install and end users to save energy. We'd love to hear your comments. Please call the Marketing Department at 888-RAB-1000 or email: marketing@rablighting.com

**** DON'T TOSS IT—RECYCLE IT! MAKE THE SUSTAINABLE CHOICE BY RECYCLING THIS FIXTURE AT END OF LIFE WITH A LICENSED RECYCLING PROVIDER. ****

WIRING

1. Connect the black fixture lead to the **LINE** supply lead.
2. Connect the white fixture lead to the **COMMON** supply lead.
3. Connect the **GROUND** wire from fixture to supply ground.

CLEANING & MAINTENANCE

CAUTION: Be sure fixture temperature is cool enough to touch. Do not clean or maintain while fixture is energized.

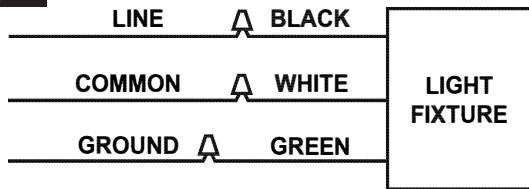
1. Clean lens with non-abrasive cleaning solution.

TROUBLESHOOTING

1. Check that the line voltage at the fixture is correct. Refer to wiring diagram.
2. Be sure the fixture is grounded properly.

Note: These instructions do not cover all details or variations in equipment nor do they provide for every possible situation during installation, operation or maintenance.

Fig: 19



Easy Answers

© 2026 RAB LIGHTING Inc.
HERITAGE - HTGL - IN - 0626
P-102384

rablighting.com
Visit our website for product info

Tech Help Line
Call our experts: 888 722-1000

e-mail
Answered promptly - tech@rablighting.com

Free Lighting Layouts
Answered online or by request