A woman with long brown hair, wearing a white t-shirt and a grey striped apron, is smiling as she cooks in a kitchen. She is holding a small glass jar of spices. The kitchen features light-colored wooden cabinets and a backsplash of small, square, light-colored tiles. Under-cabinet lighting is visible, illuminating the countertop and the woman's face. A black frying pan with food is on the stove, and a green pot is nearby.

Soft, even light with adjustable  
color temperature and output.

Under cabinet lighting that maximizes flexibility.



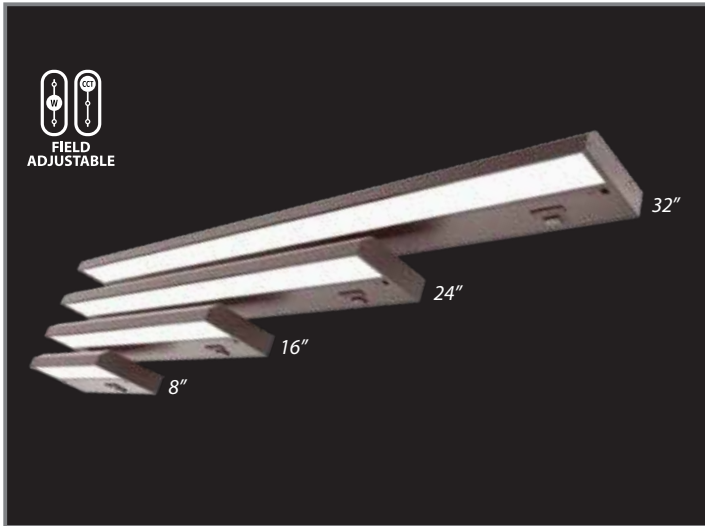
**RAB**<sup>®</sup>

# KNOOK® LED Undercabinet

- Field-adjustable light output & color temperature
- Designed to provide soft, uniform lighting on work surfaces
- Simple to connect multiple fixtures
- Occupancy sensor accessory controls on/off, and includes a switch to manually turn off fixtures
- TRIAC and ELV dimming down to 5%\*



RAB's warranty is subject to all terms and conditions found at [rablighting.com/warranty](http://rablighting.com/warranty)



Available in four lengths: 8", 16", 24" or 32", and in brown or white.



KNOOK provides clean, uniform illumination across the length of the fixture, on walls and over countertops.



Each KNOOK fixture can be daisy chained with optional accessory jumper cables.



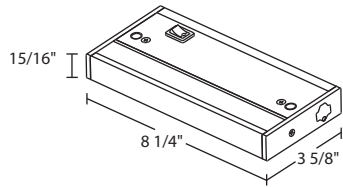
KNOOK leads in energy efficiency, beating out the competition with higher lumens per foot.

\*List of compatible dimmers provided in the instructions.

## Dimensions & weights

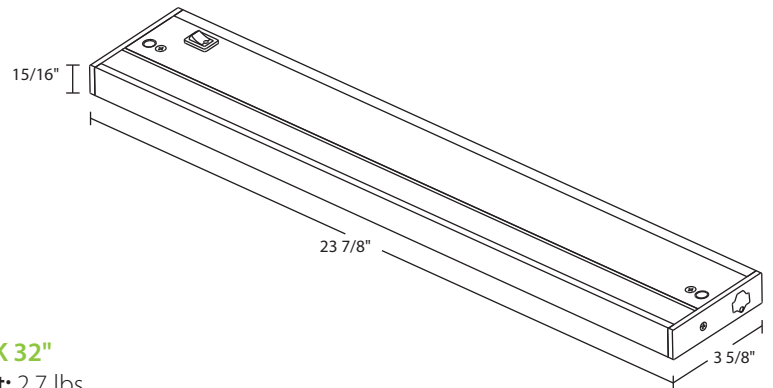
### KNOOK 8"

Weight: 0.9 lbs



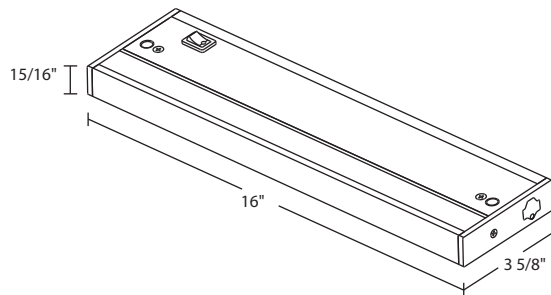
### KNOOK 24"

Weight: 2.1 lbs



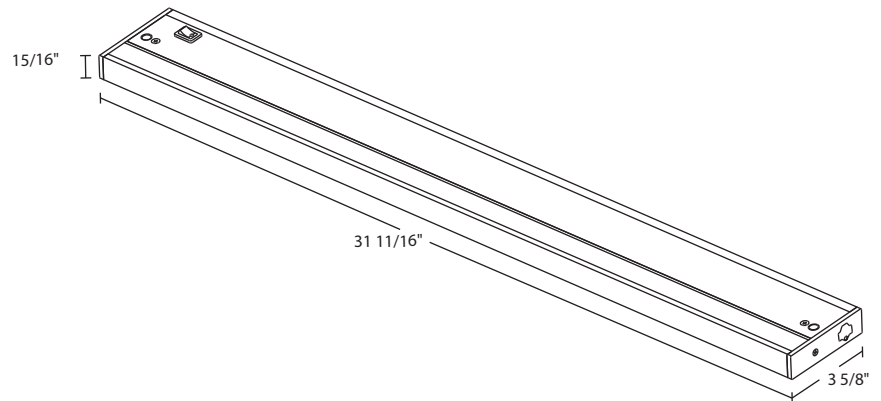
### KNOOK 16"

Weight: 1.5 lbs



### KNOOK 32"

Weight: 2.7 lbs



## Specifications

### UL Listed:

Suitable for dry locations

### LEDs:

Long-life, high-efficacy, surface-mount LEDs

### Driver:

Class 2, constant current, 60 Hz, 120V

### Housing:

Die-formed steel with injection-molded endcaps

### Lens:

Polycarbonate lens

### Ambient Temperature:

Suitable for use in ambient temperatures up to 40°C (104°F)

### Field Adjustable:

Lumen output (selectable by 100% and 50%)

Color temperature (selectable by 2700K, 3000K and 3500K)

## Performance

### KNOOK 3500K

	8"	16"	24"	32"
Length	8"	16"	24"	32"
Input Watts	3.8	9.1	12.1	16.5
Lumens	279	723	1038	1398
Efficacy	73.4	79.5	85.8	84.7
Color Accuracy (CRI)	95	95	94	94

### KNOOK 3000K

	8"	16"	24"	32"
Length	8"	16"	24"	32"
Input Watts	3.7	8.9	11.7	15.7
Lumens	277	733	1018	1409
Efficacy	74.9	82.4	87	89.7
Color Accuracy (CRI)	95	95	94	94

### KNOOK 2700K

	8"	16"	24"	32"
Length	8"	16"	24"	32"
Input Watts	3.9	9.4	13.6	16.8
Lumens	254	653	1019	1265
Efficacy	65.1	69.5	74.9	75.3
Color Accuracy (CRI)	96	96	96	96

## Dimmer Compatibility

### LUTRON

Diva DV-603P  
 RRD-8ANS-WH  
 RRD-6NA-WH  
 RRD-6D-WH  
 P&S D703P  
 Skylark CTCL-153P  
 Skylark S-600P  
 Skylark SELV-300P  
 DVELV-300PH-WH  
 SPSELV-400M  
 TGCL-153P  
 LECL-153P  
 SCL-153P  
 S-600  
 MAELV-600-WH  
 PD-6WCL-WH

### LEVITON

Decora IPL06-10Z  
 Decora 6631-P  
 Decora 6674-P  
 35A00-1  
 6627-L  
 6674-L

### COOPER

TAL06P-C1  
 DAL06P-C1  
 SAL06P-W  
 AAL06-C1

## Ordering information

### Product Family

KNOOKFA

### Size

8  
 16  
 24  
 32

8" (2700/3000/3500K)  
 16" (2700/3000/3500K)  
 24" (2700/3000/3500K)  
 32" (2700/3000/3500K)

### Finish

Blank  
 W

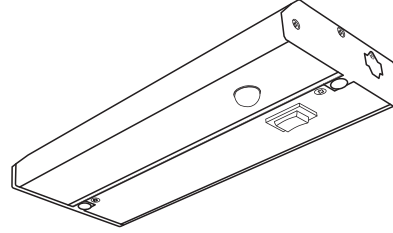
Brown  
 White

## Accessories

### Occupancy Sensor

(8 1/8" x 3 3/4")

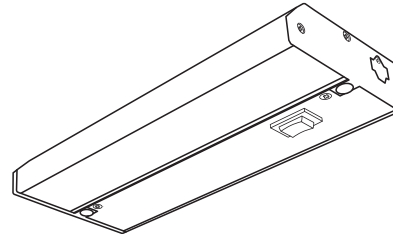
OCSKNOOKFA - Brown OCSKNOOKFAW - White



### Junction Box

(6 5/16" x 3 3/4")

JBKNOOKFA - Brown JBKNOOKFAW - White



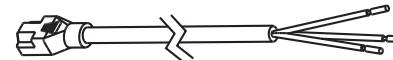
### Fixture-to-Fixture Jumper Cable

KJC6B - 6" Black      KJC24B - 24" Black  
 KJC6W - 6" White      KJC24W - 24" White  
 KJC12B - 12" Black      KJC72B - 72" Black  
 KJC12W - 12" White      KJC72W - 72" White



### Fixture-to-Junction Box Cable

KPCJB - 72" Black      KPCJW - 72" White



### Fixture-to-Outlet Cord and Plug

KCPB - 72" Black      KCPW - 72" White

