

The most efficient
gas station canopy light ever.
Easy to install for retrofits and new construction.

MASI™



All models are
DLC Premium listed
except 480V

RAB[®]
LIGHTING
RABWEB.COM • 888 722-1000

MASI



All models are DLC Premium listed except 480V

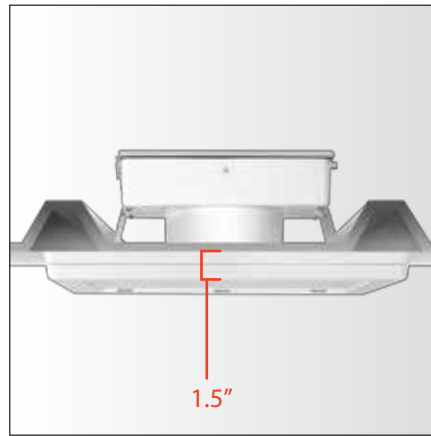
- Ultra-high efficiency up to 144 lm/W
- Equivalency range 150W-750W MH
- DLC Premium qualifies MASI for highest available rebates
- Easily installs in 4" hole to replace Scottsdale® and other popular fixtures
- Designed with water-resistant junction box and weep holes
- Five power packages: 52, 80, 100, 160 and 200W

Versatile.



Available in two sizes: 16" x 16" and 20" x 20".

Low profile.



Extremely low, 1.5" profile maximizes vehicle clearance

Durable design.



Stiffening brackets prevent deck sagging

Water resistant.



Discreet weep holes prevent water from collecting on the fixture.

Retroplate accessory.



Allows for installation in 4 - 6.5" openings. Additional options available by request to replace virtually any existing fixture.

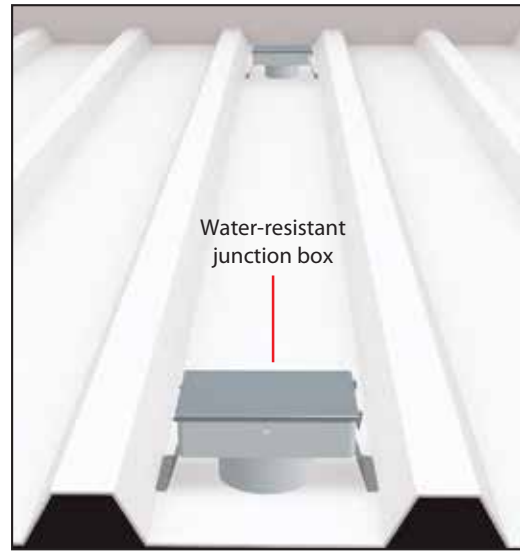
Easy installation.



Quick-connect plugs make connection/disconnection safe and easy

Easy installation for retrofits or new construction

MASI is designed for installation in canopies with single-deck construction (access to junction box from above the canopy is required).



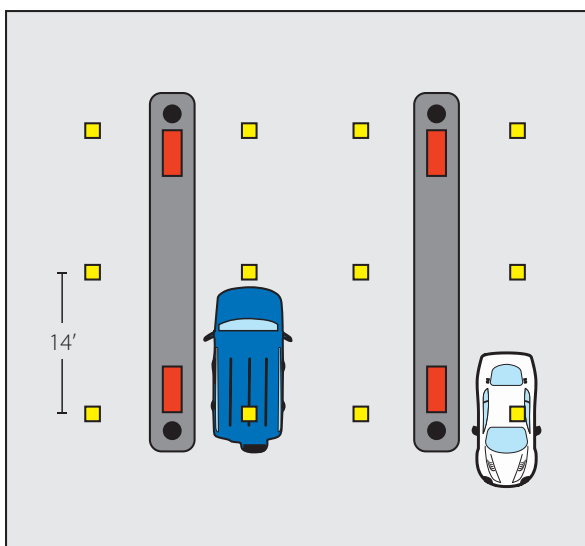
Standard 4" Hole Installations:

1. Disconnect and remove old fixture (if applicable) and insert the wires and mounting stem on the MASI through the hole.
2. Two spring clips on the stem compress while being fed through the hole and spring back to secure the fixture in place once the stem is pushed entirely through the opening.
3. Installation is completed from the top of the canopy by bolting the junction box to the stem, wiring the fixture and latching the cover to the junction box.

Additional retrofit options: An optional retroplate allows for installation in openings from 4 - 6.5" in diameter. Additional retrofit options are available upon request to replace virtually any existing fixture. Please contact RAB Customer Service 1-888-722-1000.

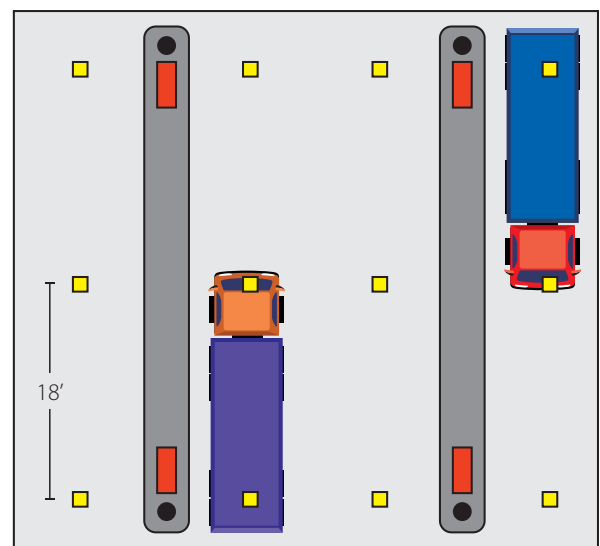
Typical fuel station layouts

Luminaire spacing criterion (SC) is 1:1 based on canopy height in driving lanes. Average illumination is 10 - 20 fc.



MASI 16" x 16"

- Select from three lumen packages
- Replace 150W - 400W metal halide fixtures
- Use in typical canopy applications with mounting heights from 10' - 16'



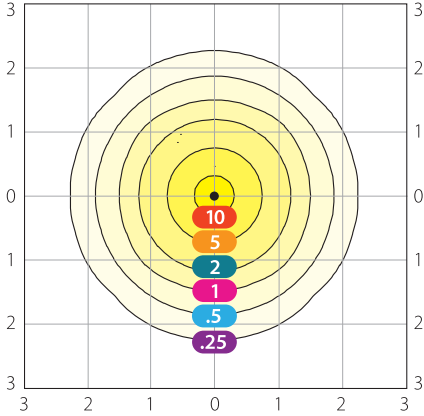
MASI 20" x 20"

- Select from two lumen packages
- Replace 400W - 750W metal halide fixtures
- Use in canopies with higher mounting heights from 16' - 24' in applications such as industrial fueling stations and truck stops along major roadways

Photometrics

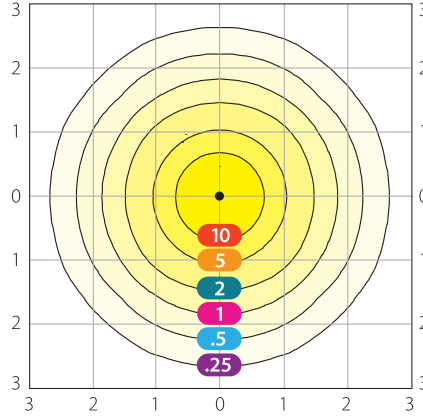
MASI 52W - 14' Mounting Height

Photometric Report #RAB00885



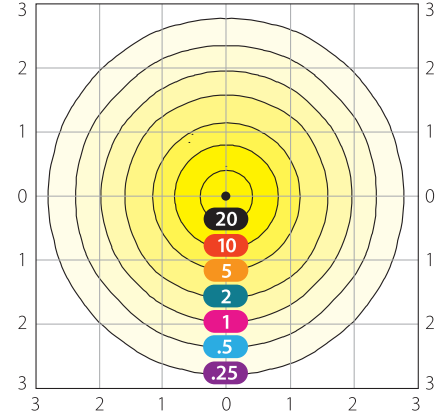
MASI 80W - 14' Mounting Height

Photometric Report #RAB00886



MASI 100W - 14' Mounting Height

Photometric Report #RAB00878

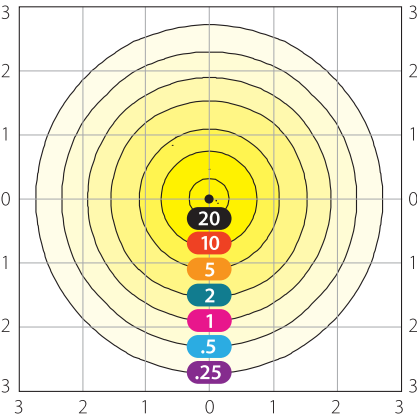


Mounting Height	10	12	14	16	18
Multiplier	2.0	1.4	1.0	0.8	0.6

Grid scales: Multiples of mounting height
Values shown in footcandles

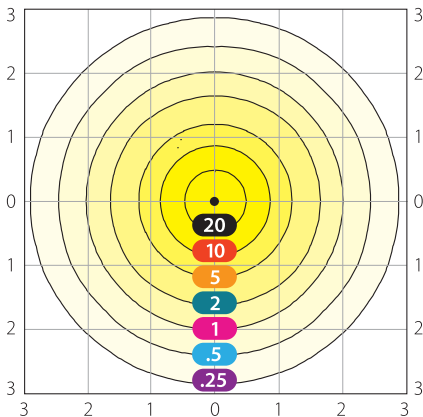
MASI 160W - 18' Mounting Height

Photometric Report #RAB00887



MASI 200W - 18' Mounting Height

Photometric Report #RAB00879



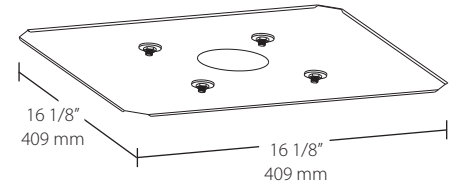
Mounting Height	14	16	18	20	22
Multiplier	1.7	1.3	1.0	0.8	0.7

Grid scales: Multiples of mounting height
Values shown in footcandles

Accessories

MASI RETROPLATE

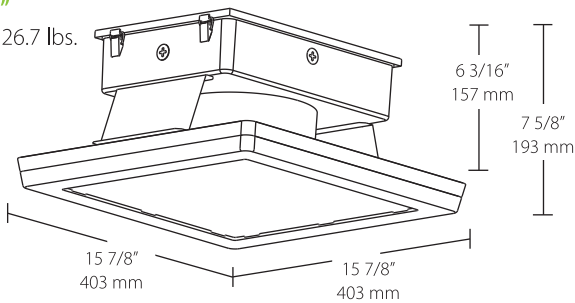
Optional retroplate allows for installation in openings from 4 - 6.5" in diameter. Additional retrofit options available upon request to replace virtually any existing fixture.



Dimensions & weights

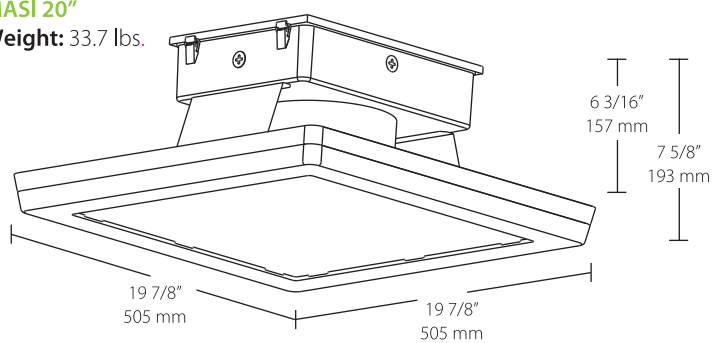
MASI 16"

Weight: 26.7 lbs.



MASI 20"

Weight: 33.7 lbs.



MASI™ Specifications

UL Listing: Suitable for wet locations

LEDs: Long-life, high-efficiency surface mount LEDs

Lifespan: 100,000-hour LED lifespan based on IES LM-80 results and TM-21 calculations

IP Rating: IP66, protected against dust and water ingress

Drivers:

52W: Constant current, Class 2, 100 - 277V and 480V, 50/60 Hz, THD <20%, PF >0.90, 1400mA, 120V: 0.46A, 208V: 0.27A, 240V: 0.24A, 277V: 0.21A, 480V: 0.12A

80W: Constant current, Class 2, 100 - 277V and 480V, 50/60 Hz, THD <20%, PF >0.90, 550mA, 120V: 0.72A, 208V: 0.45A, 240V: 0.39A, 277V: 0.34A

100W: Constant current, Class 2, 100 - 277V and 480V, 50/60 Hz, THD <20%, PF >0.90, 700mA, 120V: 0.96A, 208V: 0.58A, 240V: 0.51A, 277V: 0.44A, 480V: 0.26A

160W: Constant current, Class 2, 100 - 277V and 480V, 50/60 Hz, THD <20%, PF >0.90, 700mA, 120V: 1.32A, 208V: 0.79A, 240V: 0.68A, 277V: 0.59A, 480V: 0.34A

200W: Constant current, Class 2, 100 - 277V and 480V, 50/60 Hz, THD <20%, PF >0.90, 450mA, 120V: 1.76A, 208V: 1.01A, 240V: 0.93A, 277V: 0.81A

MASI 52W (16" x 16")

Color Temperature	5000K	4000K	3000K
Input Watts	54	55	54
Output Lumens	6,782	6,857	6,312
Equivalency	150W MH	150W MH	150W MH
Lumens Per Watt	125	125	117
Color Accuracy (CRI)	74	72	71

MASI 80W (16" x 16")

Color Temperature	5000K	4000K	3000K
Input Watts	86	85	86
Output Lumens	12,207	12,192	11,533
Equivalency	200W MH	200W MH	200W MH
Lumens Per Watt	141	143	134
Color Accuracy (CRI)	74	72	72

MASI 100W (16" x 16")

Color Temperature	5000K	4000K	3000K
Input Watts	114	115	114
Output Lumens	15,344	15,454	14,477
Equivalency	250W MH	250W MH	250W MH
Lumens Per Watt	134	135	127
Color Accuracy (CRI)	75	72	71

MASI 160W (20" x 20")

Color Temperature	5000K	4000K	3000K
Input Watts	158	160	157
Output Lumens	22,632	23,017	21,458
Equivalency	320W MH	320W MH	320W MH
Lumens Per Watt	144	144	136
Color Accuracy (CRI)	75	72	71

MASI 200W (20" x 20")

Color Temperature	5000K	4000K	3000K
Input Watts	211	212	211
Output Lumens	28,478	29,172	27,027
Equivalency	400W MH	400W MH	400W MH
Lumens Per Watt	135	138	128
Color Accuracy (CRI)	74	72	71

Ambient Temperature: Suitable for use in 40°C ambient temperatures

Cold Weather Starting: The minimum starting temperature is -40°C

Housing: Die-cast aluminum with stainless steel cover

Mounting: Semi-recessed construction. Junction box with four (4) 1/2" NPS conduit openings.

Lens: Tempered glass

Gaskets: High-temperature silicone gaskets

Color Stability: LED color temperature is warranted to shift no more than 200K in CCT over a 5 year period.

Color Uniformity: RAB's range of CCT (Correlated Color Temperature) follows the guidelines of the American National Standard for Specifications for the Chromaticity of Solid State Lighting (SSL) Products, ANSI C78.377-2015.

Finish: Our environmentally friendly polyester powder coatings are formulated for high-durability and long-lasting color, and contain no VOC or toxic heavy metals.

Green Technology: Mercury and UV free, and RoHS compliant. Polyester powder coat finish formulated without the use of VOC or toxic heavy metals.

IESNA LM-79 & LM-80 Testing: RAB LED luminaires have been tested by an independent laboratory in accordance with IESNA LM-79 and LM-80, and have received the Department of Energy "Lighting Facts" label.

California Title 24: MASI fixtures with 0-10V dimming drivers comply with 2013 California Title 24 building and electrical codes as outdoor non-pole mounted fixtures >30 Watts when used with a RAB Stealth® dimmer or a dimming control provided by others.

Ordering information

Product Family	Size	Wattage	Color Temp	Finish	Driver Options
MASI	16 16" x 16" 20 20" x 20"	52 52W (16") 80 80W (16") 100 100W (16") 160 160W (20") 200 200W (20")	Blank 5000K N 4000K Y 3000K	W White	/D10 120-277V with 0-10V Dimming (standard, not optional) /480 480V On/Off Driver (replaces /D10 suffix)



The most efficient
gas station canopy light...
ever.

MASI™

RAB®
LIGHTING
RABWEB.COM • 888 722-1000