

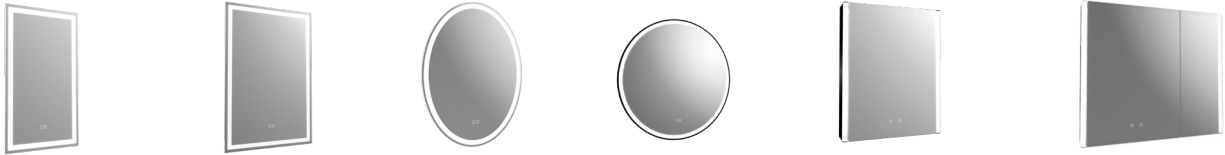
INSTRUCTIONS

MIRA MIRROR LIGHT INSTALLATION



RAB Lighting is committed to creating high-quality, affordable, well-designed and energy-efficient LED lighting and controls that make it easy for electricians to install and end users to save energy. We'd love to hear your comments. Please call the Marketing Department at 888-RAB-1000 or email: marketing@rablighting.com

**** DON'T TOSS IT—RECYCLE IT! MAKE THE SUSTAINABLE CHOICE BY RECYCLING THIS FIXTURE AT END OF LIFE WITH A LICENSED RECYCLING PROVIDER. ****



IMPORTANT

READ CAREFULLY BEFORE INSTALLING FIXTURE. RETAIN THESE INSTRUCTIONS FOR FUTURE REFERENCE.

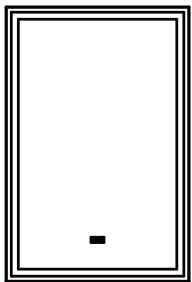
RAB fixtures must be wired in accordance with the National Electrical Code and all applicable local codes. Proper grounding is required for safety. THIS PRODUCT MUST BE INSTALLED IN ACCORDANCE WITH THE APPLICABLE INSTALLATION CODE BY A PERSON FAMILIAR WITH THE CONSTRUCTION AND OPERATION OF THE PRODUCT AND THE HAZARDS INVOLVED.

WARNING: Make certain power is OFF before installing or maintaining fixture. No user serviceable parts inside.

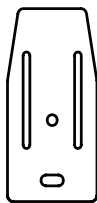
Risk of electric shock. Disconnect the power before performing the following procedures. Installation should be performed by a qualified electrician.

CAUTION: Risk of personal injury. This product is heavy. Get assistance lifting and moving the product. Never operate this mirror if the electrical power cable is damaged, the mirror is not working properly, the mirror was dropped or damaged, or dropped into water. Do NOT use outdoors.

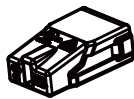
WHAT'S IN THE BOX



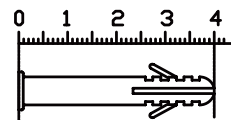
Mirror Light



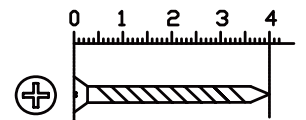
Mounting Bracket
(2pcs)



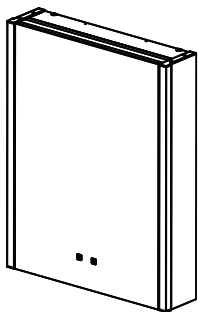
Terminal
(2pcs)



Plastic Expansion Screw
(ø8mm, 4pcs)



Screw
(M5, 4pcs)



Mirror Light Cabinet



Mounting Accessories
(1pc)



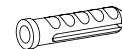
(12pcs)



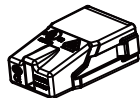
(12pcs)



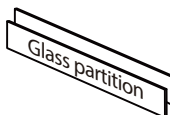
Screw
(M5, 4pcs)



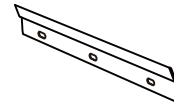
Plastic Expansion
Screws
(ø8mm, 4pcs)



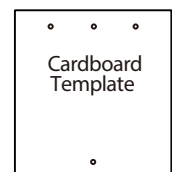
Terminal
(2pcs)



Glass Partition
(2pcs)



Mounting Bracket
(1pc)



Cardboard
Template
(1pc)

INSTRUCTIONS

MIRA MIRROR LIGHT INSTALLATION



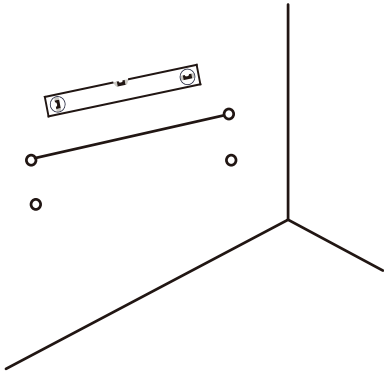
RAB Lighting is committed to creating high-quality, affordable, well-designed and energy-efficient LED lighting and controls that make it easy for electricians to install and end users to save energy. We'd love to hear your comments. Please call the Marketing Department at 888-RAB-1000 or email: marketing@rablighting.com

**** DON'T TOSS IT—RECYCLE IT! MAKE THE SUSTAINABLE CHOICE BY RECYCLING THIS FIXTURE AT END OF LIFE WITH A LICENSED RECYCLING PROVIDER. ****

MIRA LIGHT INSTALLATION

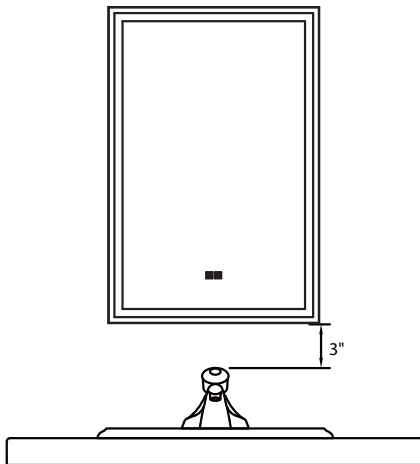
1. Determine and mark the **Mounting Bracket** holes based on the product installation height, dimensions and required installation (*horizontal or vertical*) ensuring the holes remain level, see Fig. 1.

Fig. 1



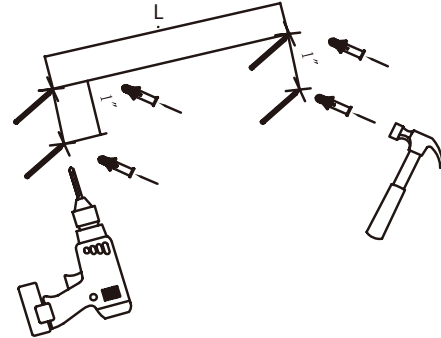
2. When determining the height of the product, verify that the **Mirror** will clear ALL obstacles (*such as a faucet or light fixture*). Provide a minimum distance of 3" (Fig. 2).
3. Locate and mark stud locations.
4. Mark the center line of the Mirror.

Fig. 2



5. Drill holes ($<\varnothing 5/16"$) and install **Plastic Expansion Screws** or appropriate mounting hardware according to the marked points on the wall (Fig. 3).

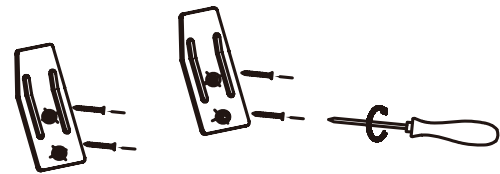
Fig. 3



Catalog Number	Size of L	
	Verticality	Horizontal
LM1832	12"	24"
LM2436	12"	24"
LM4836	12"	24"
LM7236	24"	32"
LME2432	12"	12"
LMFB2436	12"	24"
LMFBR36	12"	12"

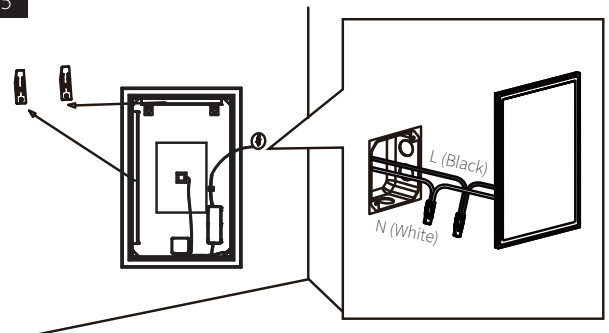
6. Install **Mounting Bracket** (Fig. 4).

Fig. 4



7. Connect the electrical power then mount the product onto the **Mounting Bracket** and ensure proper installation (Fig. 5). Reference wiring diagram below.

Fig. 5



INSTRUCTIONS

MIRA MIRROR LIGHT INSTALLATION



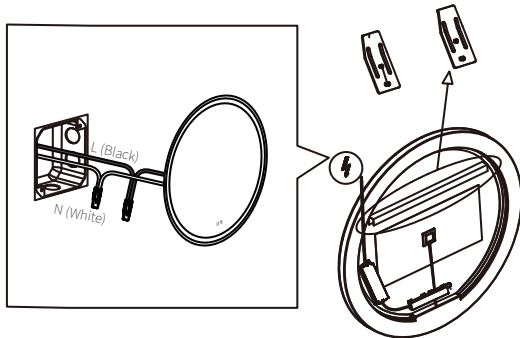
RAB Lighting is committed to creating high-quality, affordable, well-designed and energy-efficient LED lighting and controls that make it easy for electricians to install and end users to save energy. We'd love to hear your comments. Please call the Marketing Department at 888-RAB-1000 or email: marketing@rablighting.com

**** DON'T TOSS IT—RECYCLE IT! MAKE THE SUSTAINABLE CHOICE BY RECYCLING THIS FIXTURE AT END OF LIFE WITH A LICENSED RECYCLING PROVIDER. ****

MIRA LIGHT INSTALLATION (cont'd)

8. Connect the electrical power then mount the product onto the **Mounting Bracket** and ensure proper installation. Reference wiring diagram below (Fig. 6).

Fig. 6



9. **Caution:** Mirror Strap is for decorative purposes ONLY and must NOT be used to support Mirror. ONLY mount the Mirror onto Mounting Brackets see Fig.7 & 8.
Note: Only for LMFBR36 & LME2432. See Touch Sensor Operation Instructions for Color Temperature (CCT) and Defogger settings.

Fig. 7

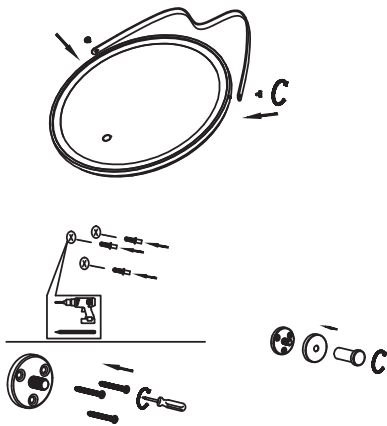
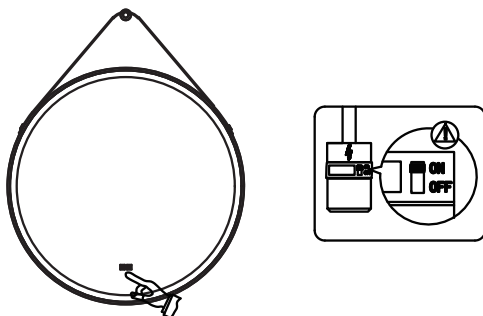


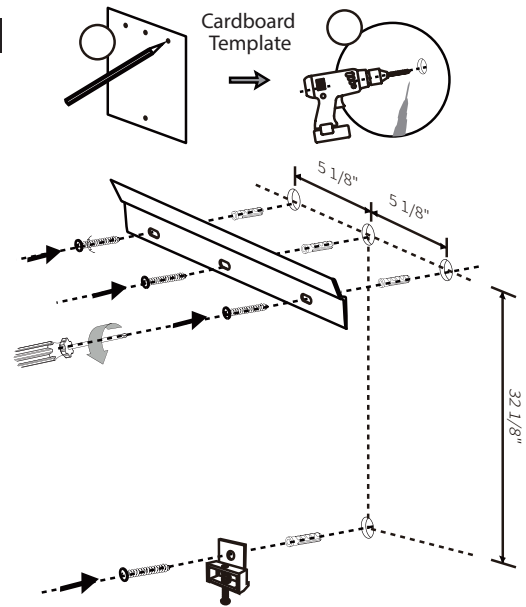
Fig. 8



MIRA LIGHT CABINET INSTALLATION

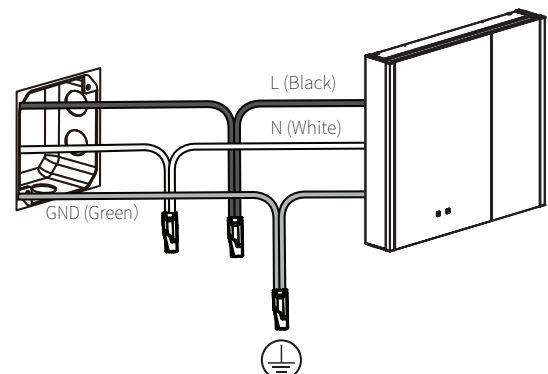
1. Determine and mark the **Mounting Bracket** holes based on the product installation height, dimensions and required installation (horizontal or vertical) ensuring the holes remain level, see Fig. 9.
2. Based on the product installation height, use the **Cardboard Template** (provided). Mount **Cardboard Template** on wall, painters tape can be used to secure template.
3. Mark the positions according to the holes on the **Cardboard Template**, remove template and install the mounting accessories (Fig. 9).

Fig. 9



4. Make electrical connections according to diagram below (Fig. 10).
5. Mount product onto the **Mounting Bracket** and ensure proper installation.

Fig. 10



INSTRUCTIONS

MIRA MIRROR LIGHT INSTALLATION



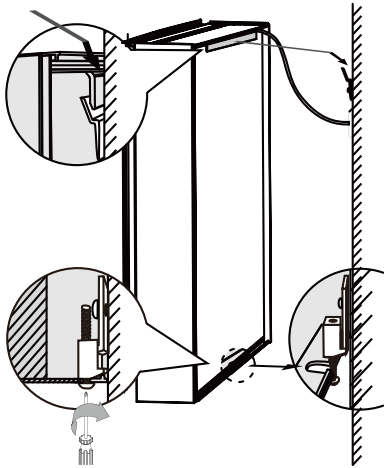
RAB Lighting is committed to creating high-quality, affordable, well-designed and energy-efficient LED lighting and controls that make it easy for electricians to install and end users to save energy. We'd love to hear your comments. Please call the Marketing Department at 888-RAB-1000 or email: marketing@rablighting.com

**** DON'T TOSS IT—RECYCLE IT! MAKE THE SUSTAINABLE CHOICE BY RECYCLING THIS FIXTURE AT END OF LIFE WITH A LICENSED RECYCLING PROVIDER. ****

MIRA LIGHT CABINET INSTALLATION (cont'd)

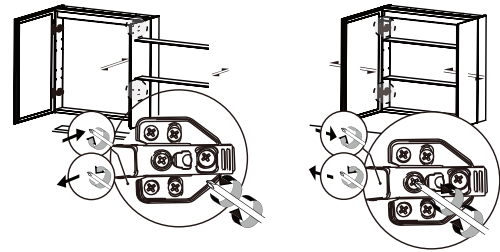
6. After hanging **Mirror Cabinet** in place, tighten fastening screws at the bottom to ensure the entire **Mirror Cabinet** is properly secured (Fig. 11)

Fig. 11



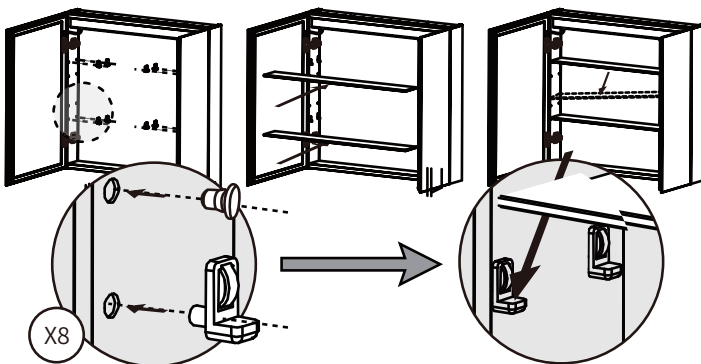
8. See Fig.13 to adjust Screws on the hinges of the Cabinet door, horizontal and vertical alignment.

Fig. 13



7. Install **Mirror Cabinet Shelves** in desired position using plastic **Shelf Clips** (provided) as shown in Fig. 12.

Fig. 12



INSTRUCTIONS

MIRA MIRROR LIGHT INSTALLATION



RAB Lighting is committed to creating high-quality, affordable, well-designed and energy-efficient LED lighting and controls that make it easy for electricians to install and end users to save energy. We'd love to hear your comments. Please call the Marketing Department at 888-RAB-1000 or email: marketing@rablighting.com

**** DON'T TOSS IT—RECYCLE IT! MAKE THE SUSTAINABLE CHOICE BY RECYCLING THIS FIXTURE AT END OF LIFE WITH A LICENSED RECYCLING PROVIDER. ****

TOUCH SENSOR OPERATION INSTRUCTIONS



Power Button: Adjust **Color Temperature (CCT)** and light level.

1. To select desired **Color Temperature (CCT)**, press **Power Button** to turn the light on/off until the correct **Color Temperature(CCT)** is achieved (2700/3000/4000/5000/6500K).
2. To dim the light, hold down the **Power Button** for desired brightness.
3. **Memory Function:** the last working mode will be remembered after 8 seconds.



Defogger

1. **Defogger on (short touch) - Defogger off (short touch).**
2. **Defogger** will switch off automatically after 30 minutes.

MAINTENANCE

MIRA products will remain beautiful for many years if properly cared for. Do NOT use abrasive cleaners, strong bleach, scrapers or metallic brushes. For regular maintenance use a damp cloth and a mild cleaner. Never use any product which can graze or tarnish the surface.

Note: These instructions do not cover all details or variations in equipment nor do they provide for every possible situation during installation, operation or maintenance.



© 2026 RAB LIGHTING Inc.
MIRA- 0526
P-102325

Easy Answers

rablighting.com
Visit our website for product info

Tech Help Line
Call our experts: 888 722-1000

e-mail
Answered promptly - tech@rablighting.com

Free Lighting Layouts
Answered online or by request

RAB WARRANTY: RAB's warranty is subject to all terms and conditions found at rablighting.com/warranty.