

PARK34 Garage Light



PARK34



PARK34 with PIR sensor

PARK34 Garage Light



100,000
HOURS



IP RATING



WET
RATED

PROJECT:

DATE:

TYPE:

PREPARED BY:



KEY FEATURES

- * Available wattages: 30W, 45W, 60W
- * Available CCT: 4000K/5000K
- * Voltage ratings: 120V and 277V
- * Bi-level, Step-dimming, driver on board, 120V and 277V, 50/60Hz
- * Suitable for wet locations

TECHNICAL SPECIFICATIONS

COMPLIANCE

UL Listed

Suitable for wet locations

DLC Listed

This product is on the Design Lights Consortium (DLC) Qualified Products List and is eligible for rebates from DLC Member Utilities. Designed to meet DLC 5.1 requirements.

DLC Family Code: YYYYFHH

IESNA LM-79 & LM-80 Testing

RAB LED luminaires and LED components have been tested by an independent laboratory in accordance with IESNA LM-79 and LM-80

LED CHARACTERISTICS

LEDs

Long-life, high-efficacy, surface-mount LEDs

Color Uniformity

RAB's range of Correlated Color Temperature follows the guidelines of the American National Standards for Specifications for the Chromaticity of Solid State Lighting (SLL) Products, ANSI C78.377-2017.

Color Consistency

7-step MacAdam Ellipse binning to achieve consistent fixture-to-fixture color

CONSTRUCTION

Cold Weather Starting

Minimum starting temperature is -40°C (-40°F)

Maximum Ambient Temperature

Suitable for use in up to 40°C (104°F)

IP Rating

Ingress protection rating of IP65 for dust and water

Housing

Polycarbonate

Reflector

Aluminum

Lens

Polycarbonate lens

Mounting

Surface and pendant mounting

Gasket

Nitrile rubber

Green Technology

Mercury and UV free. RoHS-compliant components

Finish

Formulated for high durability and long lasting color

TECHNICAL SPECIFICATIONS (CONTINUED)

SENSOR SPECIFICATIONS

Maximum Mounting Height:

13 ft.

Voltage:

5V

Dimming:

Default factory setting: 30% dimming output

Operating Temperature:

20°C- 60°C (-4°F - 140°F)

Storage Temperature:

-20°C- 70°C (-40°F - 158°F)

Operating Humidity:

5% - 93% without condensation

IP Rating:

IP20

Warm Up Time:

45s +/-5s

Standby (W):

<0.3W

Module Interaction:

Wire AWG 22 (Grey Dim -, Purple Dim +, Yellow 12V (DC))

Bi-Level:

30% after 20min delay then 3s to 30%

ELECTRICAL

Drivers

Bi-level, Step-dimming, driver on board, 120V, 50/60Hz

30W: 120V: 0.27A

45W: 120V: 0.38A

60W: 120V: 0.54A

Bi-level, Step-dimming, driver on board, 277V, 50/60Hz

30W: 277V: 0.15A

45W: 277V: 0.17A

60W: 277V: 0.22A

Dimming Driver

Integrated/embedded revise Phase-Cut stepped luminaire-level dimming control. Ten discrete dimming steps plus off and full on are accomplished by modification of the voltage, current, and waveform to produce varying light output. Controller is remote located from fixture or junction box or can be located by the electrical panel.

Surge Protection

3kA

PERFORMANCE

Lifespan

100,000-hour LED lifespan based on IES LM-80 results and TM-21 calculations

OTHER

Warranty

The RAB 5-year, limited warranty covers light output, driver performance and paint finish. RAB's warranty is subject to all terms and conditions found at rablighting.com/warranty.

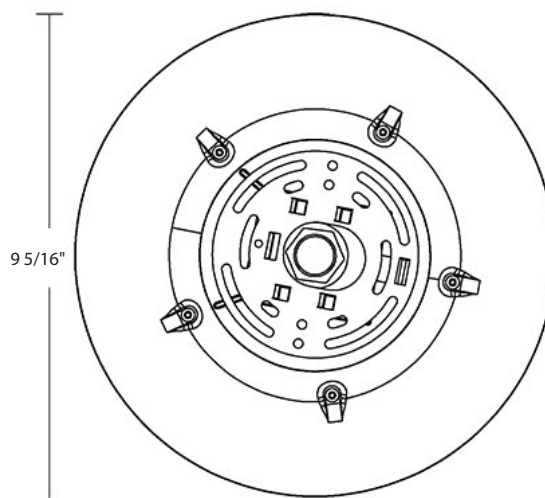
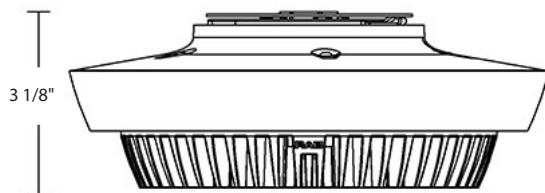
Buy American Act Compliance

RAB values USA manufacturing! Upon request, RAB may be able to manufacture this product to be compliant with the Buy American Act (BAA). Please contact customer service to request a quote for the product to be made BAA compliant.

DIMENSIONS

PARK34

Weight: 2.1Lbs



PARK34 Garage Light

PERFORMANCE

PARK34 30W	4000K	5000K
Input Watts	31.9	31.8
Lumens	4315	4127
Lm/W	135.4	129.8
CRI	75	76
Voltage Ratings	120V	

PARK34 45W	4000K	5000K
Input Watts	45.2	45.2
Lumens	5610	5629
Lm/W	124.1	124.5
CRI	75	76
Voltage Ratings	120V	

PARK34 60W	4000K	5000K
Input Watts	63.9	63.6
Lumens	7834	7493
Lm/W	122.5	117.9
CRI	75	76
Voltage Ratings	120V	

PARK34 30W	4000K	5000K
Input Watts	30.1	29.9
Lumens	4088	3817
Lm/W	135.7	127.7
CRI	74	75
Voltage Ratings	277V	

PARK34 45W	4000K	5000K
Input Watts	46.9	47.4
Lumens	6085	6069
Lm/W	129.7	128
CRI	75	76
Voltage Ratings	277V	

PARK34 60W	4000K	5000K
Input Watts	59.7	60.3
Lumens	7366	7347
Lm/W	123.4	121.8
CRI	75	76
Voltage Ratings	277V	

ORDERING MATRIX

PARK34

Family	Wattage	Color Temperature	Fixture Finish	Voltage Rating	Options	
PARK34	-		W			
	30 45 60	30W 45W 60W	BLANK N	5000K 4000K	W White Finish	/120 /277
				120V 277V	BLANK PIR/BL	No Options Passive Infrared Sensor w/Bi-Level