

# INSTRUCTIONS

## PIVOT™ FIELD-ADJUSTABLE TRACK LIGHT INSTALLATION



RAB Lighting is committed to creating high-quality, affordable, well-designed and energy-efficient LED lighting and controls that make it easy for electricians to install and end users to save energy. We'd love to hear your comments. Please call the Marketing Department at 888-RAB-1000 or email: [marketing@rablighting.com](mailto:marketing@rablighting.com)

**\*\* DON'T TOSS IT—RECYCLE IT! MAKE THE SUSTAINABLE CHOICE BY RECYCLING THIS FIXTURE AT END OF LIFE WITH A LICENSED RECYCLING PROVIDER. \*\***



### IMPORTANT

#### READ CAREFULLY BEFORE INSTALLING FIXTURE. RETAIN THESE INSTRUCTIONS FOR FUTURE REFERENCE.

RAB fixtures must be wired in accordance with the National Electrical Code and all applicable local codes. Proper grounding is required for safety. THIS PRODUCT MUST BE INSTALLED IN ACCORDANCE WITH THE APPLICABLE INSTALLATION CODE BY A PERSON FAMILIAR WITH THE CONSTRUCTION AND OPERATION OF THE PRODUCT AND THE HAZARDS INVOLVED.

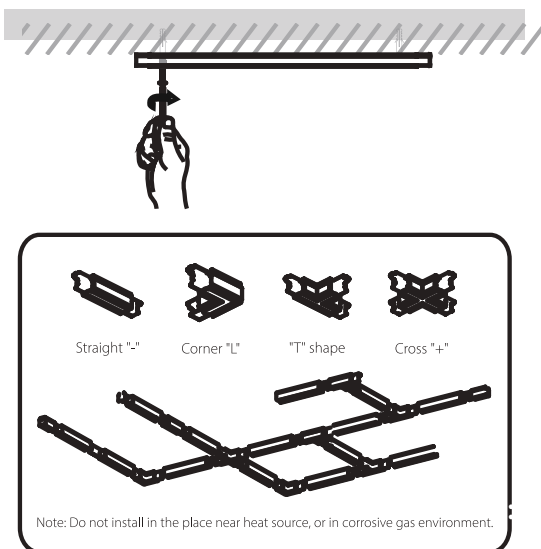
#### WARNING:

- **Make certain power is OFF before installing or maintaining fixture. No user serviceable parts inside.**
- **Fixture is suitable for dry location.**
- **Fixture must be mounted a minimum of 4 ft above ground level.**
- **Fixtures are 120V Only**

### TRACK MOUNT INSTALLATION

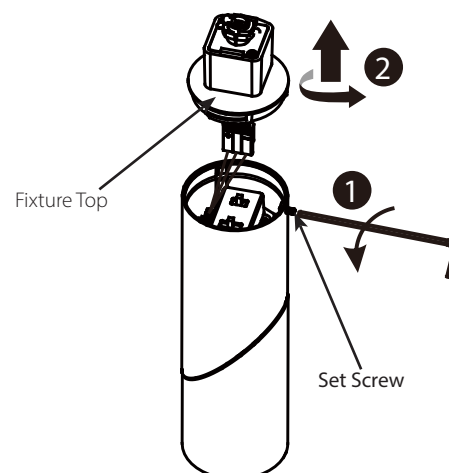
1. Secure the track system onto the ceiling (Fig. 1).

Fig: 1



2. Loosen Set Screw to rotate and separate the Fixture Top (Fig. 2). Do not disconnect wires.

Fig: 2



# INSTRUCTIONS

## PIVOT™ FIELD-ADJUSTABLE TRACK LIGHT INSTALLATION



RAB Lighting is committed to creating high-quality, affordable, well-designed and energy-efficient LED lighting and controls that make it easy for electricians to install and end users to save energy. We'd love to hear your comments. Please call the Marketing Department at 888-RAB-1000 or email: [marketing@rablighting.com](mailto:marketing@rablighting.com)

**\*\* DON'T TOSS IT—RECYCLE IT! MAKE THE SUSTAINABLE CHOICE BY RECYCLING THIS FIXTURE AT END OF LIFE WITH A LICENSED RECYCLING PROVIDER. \*\***

### FIELD ADJUSTMENT

3. Select **Color Temperature (CCT)** and/or **Power (W)** switch to desired settings.

#### Factory Default Setting:

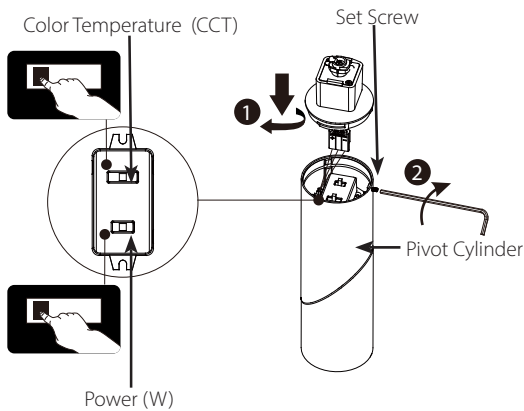
S - 8W / 4000K

M - 10W / 4000K

L - 20W / 4000K

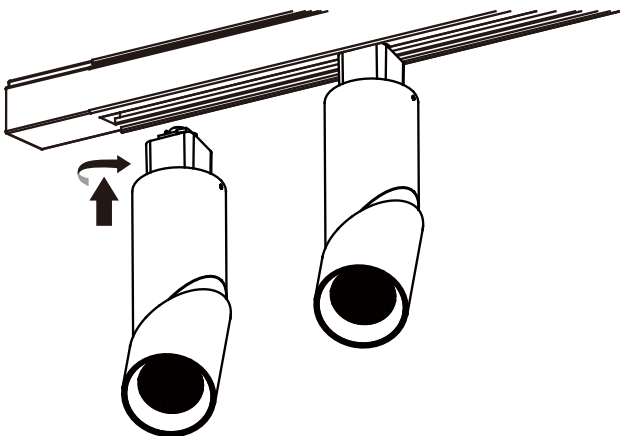
Replace **Fixture Top** into **Pivot Cylinder** and secure with **Set Screw**. **Do NOT pinch wires.**

Fig: 3



4. Install the **Pivot Cylinder** into the track rail (Fig. 4).

Fig: 4

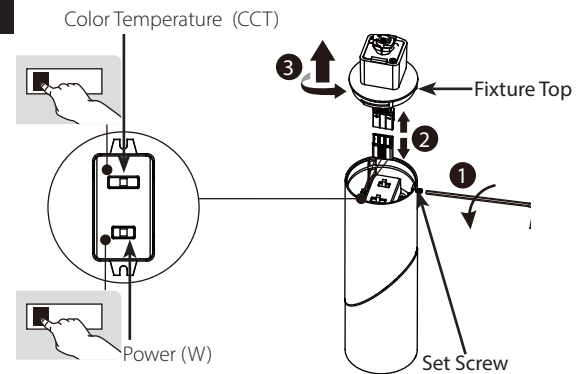


### SURFACE MOUNT

(Surface Mount accessories ordered separately, **PIVOTS-SM-KIT, PIVOTM-SM-KIT, PIVOTL-SM-KIT**)

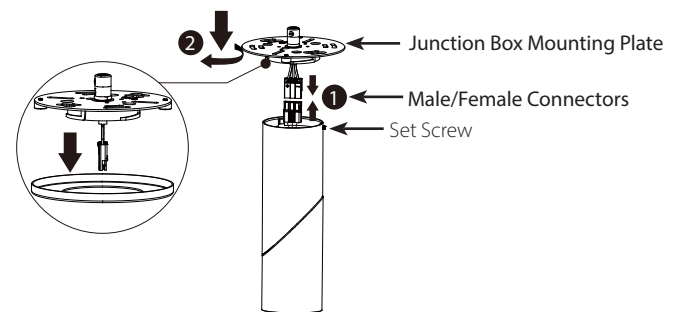
1. Loosen **Set Screw** to rotate and separate the **Fixture Top**. Disconnect the **Male/Female Terminals** and select **Color Temperature (CCT)** and/or **Power (W)** switch settings as desired (Fig.5).

Fig: 5



2. Connect the **Junction Box Mounting Plate** to the Cylinder with **Male/Female Connectors**, rotate the **Fixture Top** into **Pivot Cylinder** body, secure with **Set Screw** (Fig.6).

Fig: 6



# INSTRUCTIONS

## PIVOT™ FIELD-ADJUSTABLE TRACK LIGHT INSTALLATION



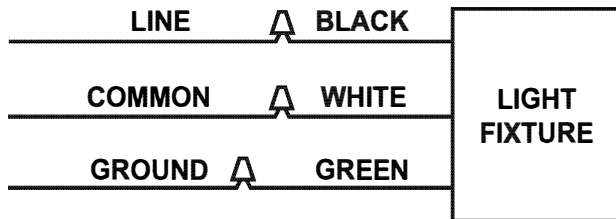
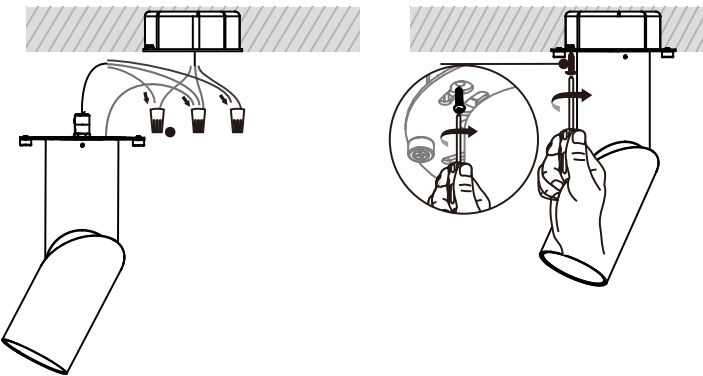
RAB Lighting is committed to creating high-quality, affordable, well-designed and energy-efficient LED lighting and controls that make it easy for electricians to install and end users to save energy. We'd love to hear your comments. Please call the Marketing Department at 888-RAB-1000 or email: [marketing@rablighting.com](mailto:marketing@rablighting.com)

**\*\* DON'T TOSS IT—RECYCLE IT! MAKE THE SUSTAINABLE CHOICE BY RECYCLING THIS FIXTURE AT END OF LIFE WITH A LICENSED RECYCLING PROVIDER. \*\***

### SURFACE MOUNT (cont'd)

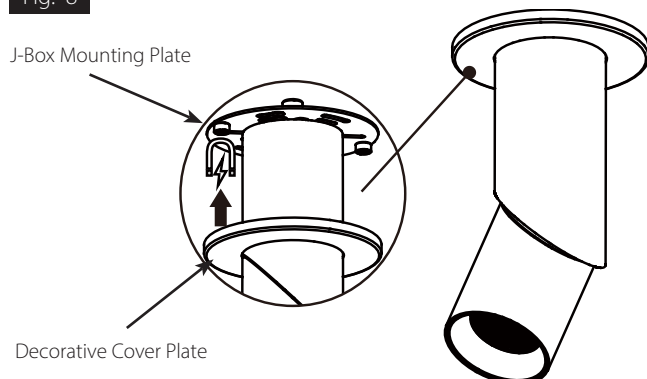
3. Connect Fixture power leads, then mount **Surface Mounting Plate** to the junction box (Fig. 7). Refer to Wiring Diagram as shown below.

Fig: 7



4. Install **Decorative Cover Plate** on as shown in Fig. 8, **Cover Plate** is held in place with magnets.

Fig: 8

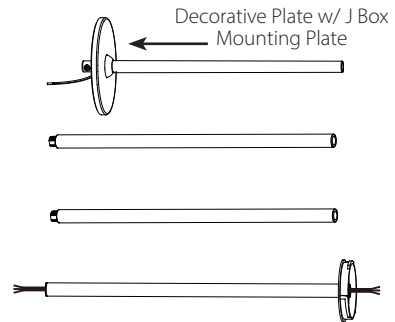


### PENDANT MOUNT KIT

(Pendant Mount accessories ordered separately, *PIVOTS-PM-KIT, PIVOTM-PM-KIT, PIVOTL-PM-KIT* (total of 4 stems included as shown in Fig. 9).

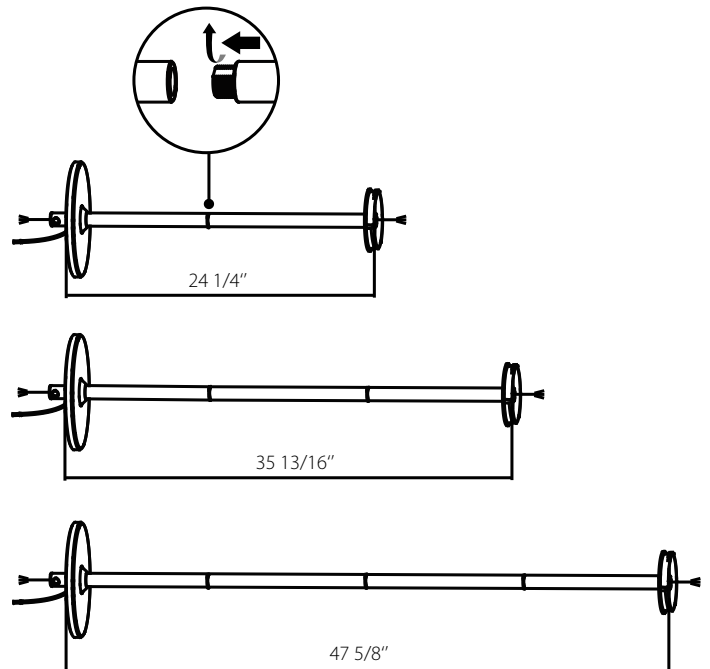
1. Arrange the **Pendant Kit** components as shown in Fig. 9.

Fig: 9



2. Extend the Pendant by adding 1 or 2 sections as desired (Fig. 10). The **Stems** thread together, minimum Pendant length is 24".

Fig: 10



# INSTRUCTIONS

## PIVOT™ FIELD-ADJUSTABLE TRACK LIGHT INSTALLATION



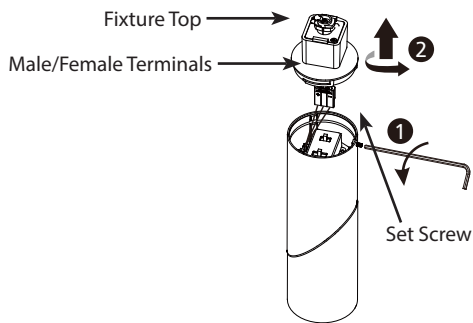
RAB Lighting is committed to creating high-quality, affordable, well-designed and energy-efficient LED lighting and controls that make it easy for electricians to install and end users to save energy. We'd love to hear your comments. Please call the Marketing Department at 888-RAB-1000 or email: [marketing@rablighting.com](mailto:marketing@rablighting.com)

**\*\* DON'T TOSS IT—RECYCLE IT! MAKE THE SUSTAINABLE CHOICE BY RECYCLING THIS FIXTURE AT END OF LIFE WITH A LICENSED RECYCLING PROVIDER. \*\***

### PENDANT MOUNT KIT (cont'd)

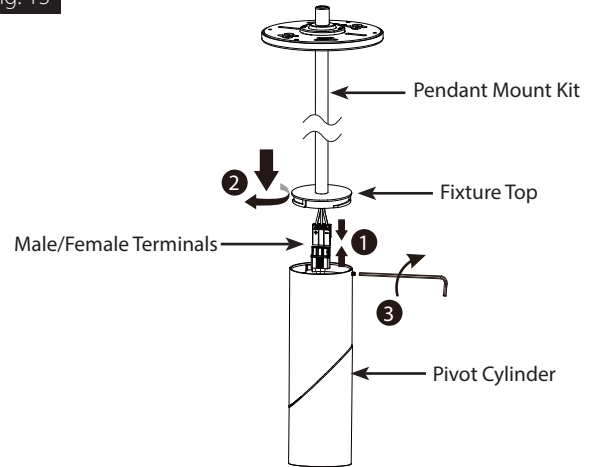
- Loosen **Set Screw** to rotate and separate the **Fixture Top**. Disconnect the **Male/Female Terminals** and select **Color Temperature (CCT)** and/or **Power (W)** switch to desired settings (Fig. 11).

Fig: 11



- Connect **Male/Female Terminals** from the **Pendant Mount Kit** then attach **Fixture Top** to the **Pivot Cylinder** (Fig. 13). **Caution: Do NOT pinch Wires.**

Fig: 13



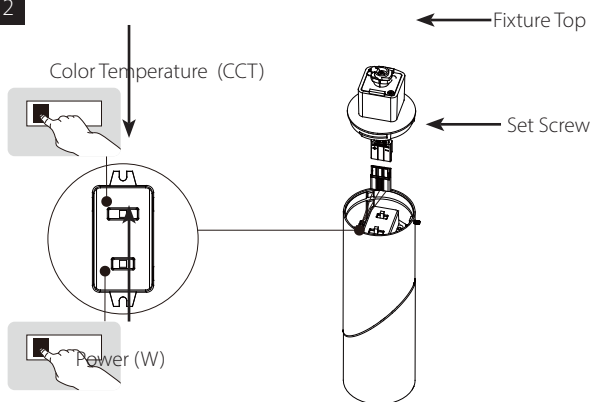
### FIELD ADJUSTMENT

- Manually select desired **Color Temperature (CCT)** and/or **Power (W)** to desired setting.

#### Factory Default Setting:

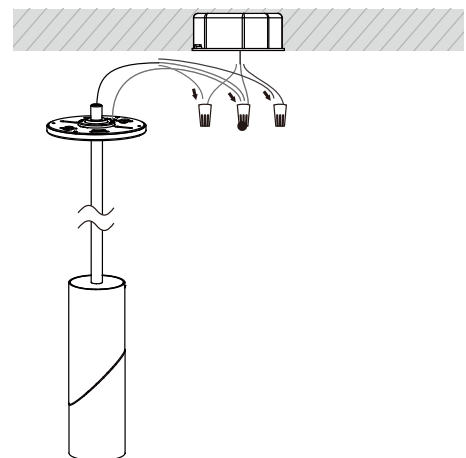
- S - 8W / 4000K
- M - 10W / 4000K
- L - 20W / 4000K

Fig: 12



- Connect **Fixture power leads** (Fig. 14). Refer to **Wiring Diagram** below.

Fig: 14



LINE	▲	BLACK	LIGHT FIXTURE
COMMON	▲	WHITE	
GROUND	▲	GREEN	

# INSTRUCTIONS

## PIVOT™ FIELD-ADJUSTABLE TRACK LIGHT INSTALLATION

# RAB®

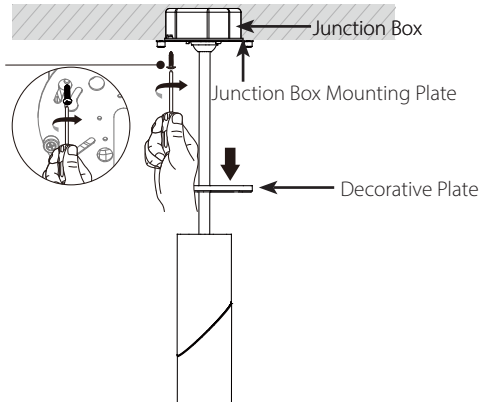
RAB Lighting is committed to creating high-quality, affordable, well-designed and energy-efficient LED lighting and controls that make it easy for electricians to install and end users to save energy. We'd love to hear your comments. Please call the Marketing Department at 888-RAB-1000 or email: [marketing@rablighting.com](mailto:marketing@rablighting.com)

**\*\* DON'T TOSS IT—RECYCLE IT! MAKE THE SUSTAINABLE CHOICE BY RECYCLING THIS FIXTURE AT END OF LIFE WITH A LICENSED RECYCLING PROVIDER. \*\***

### PENDANT MOUNT KIT (cont'd)

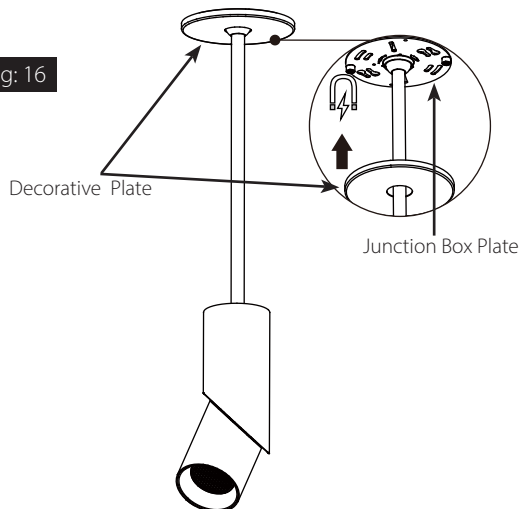
7. Secure **Junction Box Mounting Plate** onto the **Junction Box** (Fig. 15).

Fig: 15



8. Attach **Decorative Plate** (magnetic hold) onto the **Junction Box Plate** (Fig. 16).

Fig: 16



### CLEANING & MAINTENANCE

**CAUTION:** Be sure fixture temperature is cool enough to touch. Do not clean or maintain while fixture is energized.

1. Clean lens with non-abrasive cleaning solution.
2. Do not open the fixture to clean the LED. Do not touch the LED.

### TROUBLESHOOTING

1. Check that the line voltage at the fixture is correct. Refer to wiring directions.
2. Is the fixture grounded properly?
3. Is the photocell, if used, functioning properly?

*Note: These instructions do not cover all details or variations in equipment nor do they provide for every possible situation during installation, operation or maintenance.*

# RAB®

© 2026 RAB LIGHTING Inc.

### Easy Answers

[rablighting.com](http://rablighting.com)  
Visit our website for product info

**Tech Help Line**  
Call our experts: 888 722-1000

**e-mail**  
Answered promptly - [tech@rablighting.com](mailto:tech@rablighting.com)

**Free Lighting Layouts**  
Answered online or by request