

PL Ballast Bypass - Horizontal / Vertical



9W PLC Horizontal 9W PLC Vertical 16.5W PLT Vertical 15.5W PLT Horizontal



17W PLL Horizontal

2-Pin LED PLC, PLT & 4-Pin PLL Replacements UL Type B



PROJECT: _____

DATE: _____

TYPE: _____

PREPARED BY: _____



KEY FEATURES

- Replaces Legacy CFL Lamps:
26W PLC G24d/G24q
42W PLT GX24q
40W PLL 2G11
- **Ballast Bypass.** Integral driver enables lamp to be wired directly to line voltage without need for an external driver or ballast
- Compatible with G24d, G24q/G2X4q & 2G11 Sockets
- 50,000-hour lifespan
- Environmentally friendly, no mercury used
- **UL Classified/UL Recognized, DLC Listed**
- Rated for use in enclosed and open fixtures in dry or damp locations
- **Non-Dimmable**
- **5 Years No-Compromise Warranty**

PERFORMANCE

Catalog Number	Equivalency	Input Wattage	Lumen	Efficacy	Color Temperature	CRI	L70 Lifespan	DLC ID
PLC-9-H-827-BYP	8W/26W/32W G24d & G24q CFL	9W	900	100	2700K	82	50,000	No current DLC categories
PLC-9-H-830-BYP	18W/26W/32W G24d & G24q CFL	9W	950	106	3000K	82	50,000	
PLC-9-H-835-BYP	18W/26W/32W G24d & G24q CFL	9W	950	106	3500K	82	50,000	
PLC-9-H-840-BYP	18W/26W/32W G24d & G24q CFL	9W	1000	111	4000K	82	50,000	
PLC-9-H-850-BYP	18W/26W/32W G24d & G24q CFL	9W	1000	111	5000K	82	50,000	
PLC-9-V-827-BYP	18W/26W/32W G24d & G24q CFL	9W	900	100	2700K	82	50,000	
PLC-9-V-830-BYP	18W/26W/32W G24d & G24q CFL	9W	950	106	3000K	82	50,000	
PLC-9-V-835-BYP	18W/26W/32W G24d & G24q CFL	9W	950	106	3500K	82	50,000	
PLC-9-V-840-BYP	18W/26W/32W G24d & G24q CFL	9W	1000	111	4000K	82	50,000	
PLC-9-V-850-BYP	18W/26W/32W G24d & G24q CFL	9W	1000	111	5000K	82	50,000	
PLT-15.5-H-830-BYP	42W G24d/G24q/Gx24q CFL	15.5W	1800	116	3000K	80	50,000	
PLT-15.5-H-835-BYP	42W G24d/G24q/Gx24q CFL	15.5W	1900	123	3500K	80	50,000	
PLT-15.5-H-840-BYP	42W G24d/G24q/Gx24q CFL	15.5W	2000	129	4000K	80	50,000	
PLT-16.5-V-830-BYP	42W G24d/G24q/Gx24q CFL	16.5W	1850	112	3000K	80	50,000	
PLT-16.5-V-835-BYP	42W G24d/G24q/Gx24q CFL	16.5W	1850	112	3500K	80	50,000	
PLT-16.5-V-840-BYP	42W G24d/G24q/Gx24q CFL	16.5W	1900	115	4000K	80	50,000	
PLL-17-830-BYP	FT40/2G11 CFL	17W	2100	124	3000K	82	50,000	PROP5ST1
PLL-17-835-BYP	FT40/2G11 CFL	17W	2100	124	3500K	82	50,000	PSNCMEPC
PLL-17-840-BYP	FT40/2G11 CFL	17W	2200	129	4000K	82	50,000	PJMAWKQ7
PLL-17-850-BYP	FT40/2G11 CFL	17W	2200	129	5000K	82	50,000	PQWNE0TM

TECHNICAL SPECIFICATIONS

CONSTRUCTION

Product Type	Enclosure Housing	Lens Finish
Compact	White	Frosted

Bulb Shape	Base Type	Beam Angle	End-Cap Finish	Enclosure Material
PLC-H	2-Pin G24d	120°	White	Plastic End-Cap with Glass Lens
PLC-V	2-Pin G24d	120°		Plastic End-Cap with Glass Lens
PLT-H	2-Pin G24d	110°		Plastic End-Cap with PC Lens and Aluminum Heat-sink
PLT-V	2-Pin G24d	120°		Plastic End-Cap with PC Lens and Aluminum Heat-sink
PLL	2G11	140°		Plastic End-Cap with Glass lens

*Universal G24d 2-Pin base works with G24d-1, G24d-2, G24d-3 sockets

** When ballast is bypassed, works with G24q-1, G24q-2, G24q-3, GX24q-1, Gx24q-2 and Gx24q-3 sockets

COMPLIANCE

Safety Listing

UL Listed

Environment/Fixture Rating

Damp / Enclosed

DLC

This product is on the Design Lights Consortium (DLC) Qualified Products List and is eligible for rebates from DLC Member Utilities

FCC

Complies with Part 15 of the FCC Rules.

NSF Listing

NSF/ANSI Standard 2 - Food Equipment (non-contact), Splash Zone, and Non-Food Zone. (Not for Direct Food Zone without additional fixture considerations).

RoHS

Mercury and UV free. RoHS-compliant components.

ELECTRICAL

THD

≤20%

Power Factor

>0.9

Input Voltage

120-277V

Operating Frequency

50/60Hz

Operating Temperature

-20°C to 45°C

Note

All values are typical (tolerance +/- 10%)

OTHER

Warranty

RAB warrants that our LED products will be free from defects in materials and workmanship for a period of five (5) years from the date of delivery to the end user, including coverage of light output, color stability, driver performance and fixture finish.

RAB's warranty is subject to all terms and conditions found at rablighting.com/warranty.

INSTALLATION METHOD

UL Type B, Direct Wire

Burn in position:

PLC-V: Vertical

PLC-H: Horizontal

PLT-V: Vertical

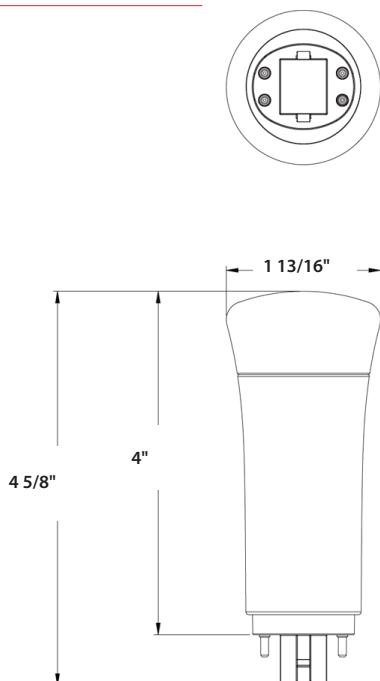
PLT-H: Horizontal

PLL: Horizontal

DIMENSIONS

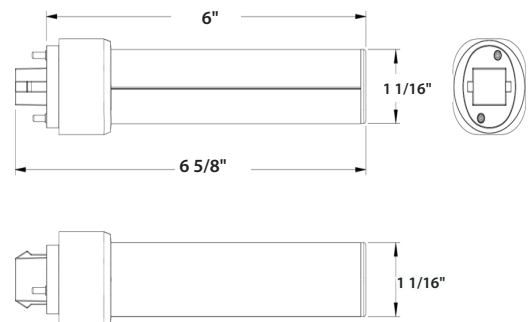
PLC: 9W Vertical

Weight: 0.3 lbs



PLC: 9W Horizontal

Weight: 0.3 lbs



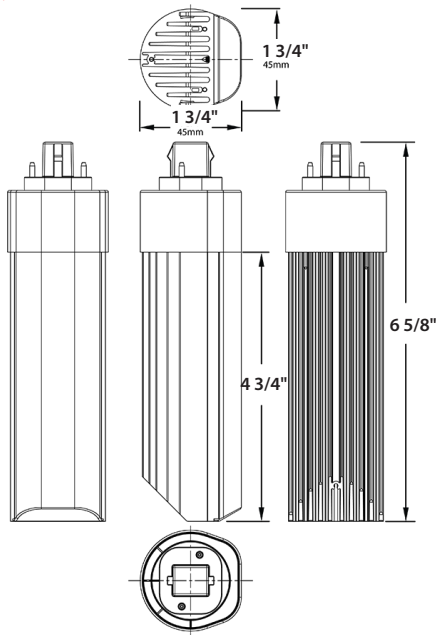
PL Ballast Bypass - Horizontal / Vertical



DIMENSIONS (Cont.)

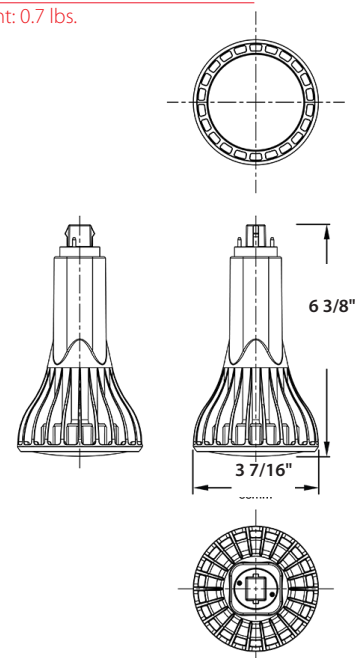
PLT: 15.5W Horizontal

Weight: 0.6 lbs.



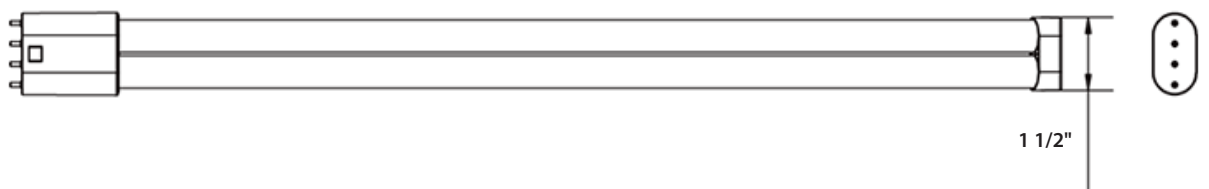
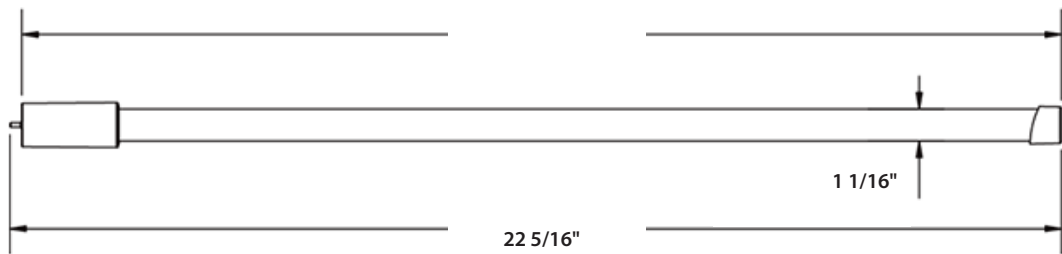
PLT: 16.5W Vertical

Weight: 0.7 lbs.



PLL: 17W

Weight: 0.6 lbs



ORDERING INFO

Catalog Number	Model Number (DLC/Energy Star)	UPC	Case Pack
PLC-9-H-827-BYP	T10110	019813507460	12
PLC-9-H-830-BYP	PLC-9-H-830-BYP	019813751511	12
PLC-9-H-835-BYP	PLC-9-H-835-BYP	019813751528	12
PLC-9-H-840-BYP	PLC-9-H-840-BYP	019813751535	12
PLC-9-H-850-BYP	PLC-9-H-850-BYP	019813751542	12
PLC-9-V-827-BYP	T10111	019813507477	12
PLC-9-V-830-BYP	PLC-9-V-830-BYP	019813751559	12
PLC-9-V-835-BYP	PLC-9-V-835-BYP	019813751566	12
PLC-9-V-840-BYP	PLC-9-V-840-BYP	019813751573	12
PLC-9-V-850-BYP	PLC-9-V-850-BYP	019813751580	12
PLT-15.5-H-830-BYP	T10220(PLT-15.5-H-830-BYP)	019813918105	12
PLT-15.5-H-835-BYP	T10221(PLT-15.5-H-835-BYP)	019813918235	12
PLT-15.5-H-840-BYP	T10222(PLT-15.5-H-840-BYP)	019813918242	12
PLT-16.5-V-830-BYP	T10223(PLT-16.5-V-830-BYP)	019813918259	12
PLT-16.5-V-835-BYP	T10224(PLT-16.5-V-835-BYP)	019813918266	12
PLT-16.5-V-840-BYP	T10225(PLT-16.5-V-840-BYP)	019813918273	12
PLL-17-830-BYP	PLL-17-830-BYP	019813751597	25
PLL-17-835-BYP	PLL-17-835-BYP	019813751603	25
PLL-17-840-BYP	PLL-17-840-BYP	019813751610	25
PLL-17-850-BYP	PLL-17-850-BYP	019813751627	25

ORDERING MATRIX

Family	Wattage	Mounting Orientation	CRI/Color Temp	Installation Type
PLC	9			BYP
PLC Plug-in Cluster	9 9W	H Horizontal V Vertical	850 82 CRI, 5000K 840 82 CRI, 4000K 835 82 CRI, 3500K 830 82 CRI, 3000K 827 82 CRI, 2700K	BYP Ballast Bypass

Family	Wattage	Mounting Orientation	CRI/Color Temp	Installation Type
PLT				BYP
PLT Plug-in Triple tube	15.5 15.5W 16.5 16.5W	H Horizontal V Vertical	840 82 CRI, 4000K 835 82 CRI, 3500K 830 82 CRI, 3000K	BYP Ballast Bypass

Family	Wattage	CRI/Color Temp	Installation Type
PLL	17		BYP
PLL Plug-in Lamps Long Version	17 17W	850 82 CRI, 5000K 840 82 CRI, 4000K 835 82 CRI, 3500K 830 82 CRI, 3000K	BYP Ballast Bypass