

INSTRUCTIONS

PLC HYBRID FIELD ADJUSTABLE

RAB®

RAB Lighting is committed to creating high-quality, affordable, well-designed and energy-efficient LED lighting and controls that make it easy for electricians to install and end users to save energy. We'd love to hear your comments. Please call the Marketing Department at 888-RAB-1000 or email: marketing@rablighting.com

PLC-8.5-H-8FA-HYB
PLC-8.5-V-8FA-HYB



IMPORTANT

READ CAREFULLY BEFORE INSTALLING LAMPS. RETAIN THESE INSTRUCTIONS FOR FUTURE REFERENCE.

RAB lamps must be wired in accordance with the National Electrical Code and all applicable local codes. Proper grounding is required for safety. THIS PRODUCT MUST BE INSTALLED IN ACCORDANCE WITH THE APPLICABLE INSTALLATION CODE BY A PERSON FAMILIAR WITH THE CONSTRUCTION AND OPERATION OF THE PRODUCT AND THE HAZARDS INVOLVED.

WARNINGS:

- Risk of fire or electric shock. LED Retrofit Kit installation requires knowledge of luminaire electrical systems. If not qualified, do not attempt installation. Contact a qualified electrician. Installation should be performed only by a qualified electrician in accordance with the National Electrical Code and relevant local code.
- Risk of fire or electric shock. Install this kit only in the luminaires that have the construction features and dimensions shown in the photographs and/or drawings and where the input rating of the retrofit kit does not exceed the input rating of the luminaire.
- To prevent wiring damage or abrasion, do not expose wiring to edges of sheet metal or other sharp objects.
- Do not make or alter any open holes in an enclosure of wiring or electrical components during kit installation.
- Installers should not disconnect existing wires from lamp holder terminals to make new connections at lamp holder terminals.
- Instead installers should cut existing lamp holder leads away from the lamp holder and make new electrical connections to lamp holder lead wires by employing applicable connectors.
- THE RETROFIT ASSEMBLY IS ACCEPTED AS A COMPONENT OF A LUMINAIRE WHERE THE SUITABILITY OF THE COMBINATION SHALL BE DETERMINED BY UL OR AUTHORITIES HAVING JURISDICTION.
- DO NOT INSTALL THIS LAMP IN A PRE-HEAT LUMINAIRE.
- THIS LAMP ONLY OPERATES ON MAGNETIC BALLASTS. IF LAMP DOES NOT LIGHT WHEN THE LUMINAIRE IS ENERGIZED, REMOVE LAMP FROM LUMINAIRE AND CONTACT LAMP MANUFACTURER OR QUALIFIED ELECTRICIAN
- NOT FOR USE IN TOTALLY ENCLOSED LUMINAIRES.

CAUTION

- RISK OF FIRE. IF THE LAMP OR LUMINAIRE EXHIBITS UNDESIRABLE OPERATION (BUZZING, FLICKERING, ETC.), IMMEDIATELY TURN OFF POWER, REMOVE LAMP FROM LUMINAIRE AND CONTACT THE MANUFACTURER.
- Disconnect power at the source before installation, inspection or removal. Do not simply switch off fixture.
- This item is rated at 120-277V. Installer must determine whether line voltage 120-277V is available at the luminaire before installation.
- Not intended for use with emergency exit fixtures or emergency exit lights.
- Not for use with luminaire ballast.
- Do not use if product is damaged.
- This lamp is non-dimmable. Not for use with dimmers.
- "This luminaire has been modified to operate LED lamps" shall be marked on the retrofit luminaire where readily visible by the user during normal maintenance including re-lamping.
- Risk of fire or electric shock. Do not open or modify. No user serviceable parts inside.
- The unit is intended to retrofit maximum one lamp.
- SUITABLE FOR DAMP LOCATIONS. Suitable for use in wet locations when used in an outdoor-rated fixture. Not for use where directly exposed to the weather or water.
- Complies with Part 15 of FCC. Operation is subject to the following two conditions: (1) This device may not cause harmful interference, and (2) This device must accept any interference received including interference that may cause undesired operation.
- SUITABLE FOR "TYPE IC" RECESSED LUMINAIRES WITH OR WITHOUT DIFFUSER.
- No external weight or mechanical force should be applied to lamp or components.
- MIN. LAMP COMPARTMENT DIMENSIONS 6.12"(DIA) x 4.75"(H) for Horizontal Installation, 6.31"(DIA) x 9.06"(H) for Vertical Installation.

NOTE:

- This retrofit kit is for 2 PIN and 4PIN HORIZONTAL and VERTICAL MOUNTS and can replace 13W, 18W, 26W CFL lamps with G24q and GX24q, G24d and GX24d bases.

INSTRUCTIONS

PLC HYBRID FIELD ADJUSTABLE



RAB Lighting is committed to creating high-quality, affordable, well-designed and energy-efficient LED lighting and controls that make it easy for electricians to install and end users to save energy. We'd love to hear your comments. Please call the Marketing Department at 888-RAB-1000 or email: marketing@rablighting.com

WIRING DIAGRAM

- 1) Read all WARNINGS before continuing this section.
- 2) Ensure fixture is 120-277V.
- 3) Make sure POWER IS TURNED OFF AT THE SOURCE.
- 4) Remove lens if applicable, remove cover and fluorescent lamp.
- 5) Before rewiring, check the ballast type and refer to the relevant diagram.
- 6) Before rewiring, please check the number of lamps per fixture and refer to the relevant diagram.
- 7) If fixture is new without ballast, please refer to Cf. Diagram 1.
- 8) If fixture ballast type is electronic, please refer to Cf. Diagram 2.
- 9) If fixture ballast type is magnetic please refer to Cf. Diagram 3.
- 10) If fixture ballast type is magnetic please refer to Cf. Diagram 4, installation without wiring modification.
- 11) This device is powered by two pins; Install lamp into the wired lampholder end.
- 12) Visibly affix "Modification Sticker" and reinstall housing cover and lens if applicable.
- 13) Return power back to source and installation is now complete.

PLC-8.5-H-8FA-HYB

Diagram 1 – New fixture without ballast wiring

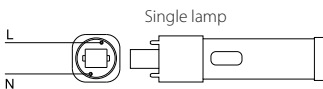


Diagram 2 – Electronic ballast fixture wiring modification

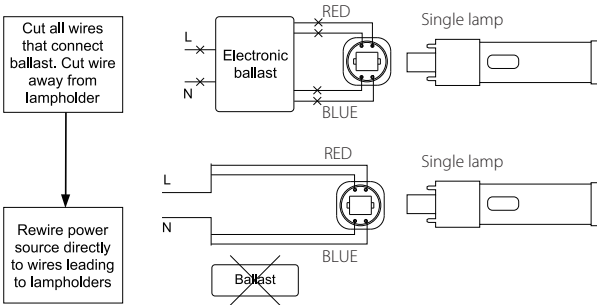


Diagram 3 – Magnetic ballast fixture wiring modification

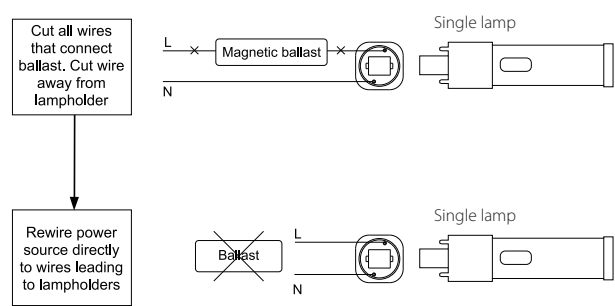
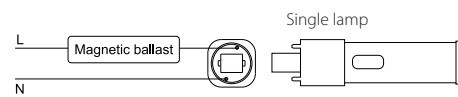


Diagram 4 – Magnetic ballast fixture without wiring modification



PLC-8.5-V-8FA-HYB

Diagram 1 – New fixture without ballast wiring

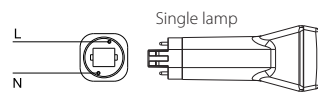


Diagram 2 – Electronic ballast fixture wiring modification

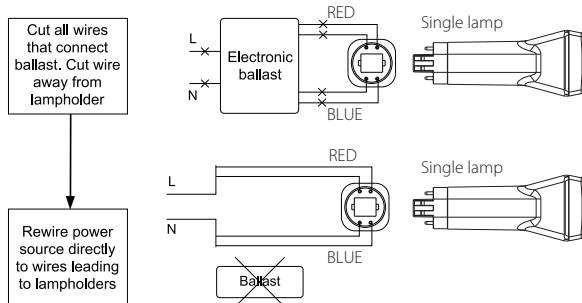


Diagram 3 – Magnetic ballast fixture wiring modification

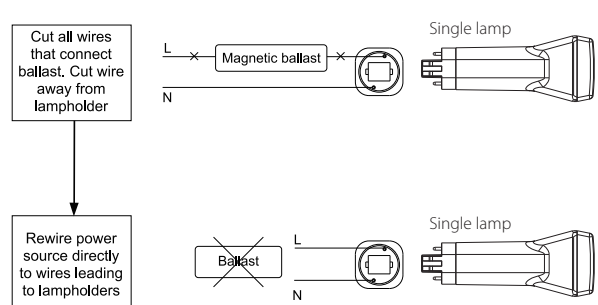
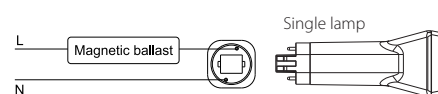


Diagram 4 – Magnetic ballast fixture without wiring modification



© 2020 RAB LIGHTING Inc.
Northvale, New Jersey 07647 USA

Easy Answers

rablighting.com

Visit our website for product info

Tech Help Line

Call our experts: 888 722-1000

e-mail

Answered promptly - sales@rablighting.com

Free Lighting Layouts

Answered online or by request

PLCHYBFA-IN-0820

RAB WARRANTY: RAB's warranty is subject to all terms and conditions found at rablighting.com/warranty.