

# INSTRUCTIONS

## OMNI PLC HYBRID

# RAB®

RAB Lighting is committed to creating high-quality, affordable, well-designed and energy-efficient LED lighting and controls that make it easy for electricians to install and end users to save energy. We'd love to hear your comments. Please call the Marketing Department at 888-RAB-1000 or email: [marketing@rablighting.com](mailto:marketing@rablighting.com)

### PLC-7-O-8XX-HYB PLC-9-O-8XX-HYB



#### IMPORTANT

##### **READ CAREFULLY BEFORE INSTALLING LAMPS. RETAIN THESE INSTRUCTIONS FOR FUTURE REFERENCE.**

RAB lamps must be wired in accordance with the National Electrical Code and all applicable local codes. Proper grounding is required for safety. THIS PRODUCT MUST BE INSTALLED IN ACCORDANCE WITH THE APPLICABLE INSTALLATION CODE BY A PERSON FAMILIAR WITH THE CONSTRUCTION AND OPERATION OF THE PRODUCT AND THE HAZARDS INVOLVED.

##### **WARNINGS:**

- **Risk of fire or electric shock. LED Retrofit Kit installation requires knowledge of luminaire electrical systems. If not qualified, do not attempt installation. Contact a qualified electrician. Installation should be performed only by a qualified electrician in accordance with the National Electrical Code and relevant local code.**
- **Risk of fire or electric shock. Install this kit only in the luminaires that have the construction features and dimensions shown in the photographs and/or drawings and where the input rating of the retrofit kit does not exceed the input rating of the luminaire.**
- **To prevent wiring damage or abrasion, do not expose wiring to edges of sheet metal or other sharp objects. Do not make or alter any open holes in an enclosure of wiring or electrical components during kit installation.**  
Installers should not disconnect existing wires from lamp holder terminals to make new connections at lamp holder terminals. Instead installers should cut existing lamp holder leads away from the lamp holder and make new electrical connections to lamp holder lead wires by employing applicable connectors.
- **THIS LAMP ONLY OPERATES ON MAGNETIC BALLASTS. IF LAMP DOES NOT LIGHT WHEN THE LUMINAIRE IS ENERGIZED, REMOVE LAMP FROM LUMINAIRE AND CONTACT LAMP MANUFACTURER OR QUALIFIED ELECTRICIAN.**

##### **CAUTION**

- **DO NOT INSTALL THIS LAMP IN A PRE-HEAT LUMINAIRE.**  
THE RETROFIT KIT IS ACCEPTED AS A COMPONENT OF A LUMINAIRE WHERE THE SUITABILITY OF THE COMBINATION SHALL BE DETERMINED BY AUTHORITIES HAVING JURISDICTION. PRODUCT MUST BE INSTALLED BY A QUALIFIED ELECTRICIAN IN ACCORDANCE WITH THE APPLICABLE AND APPROPRIATE ELECTRICAL CODES. THE INSTALLATION GUIDE DOES NOT SUPERSEDE LOCAL OR NATIONAL REGULATIONS FOR ELECTRICAL INSTALLATIONS.
- **Disconnect power at the source before installation, inspection or removal. Do not simply switch off fixture.**
- **This item is rated for 120-277V. Installer must determine whether line voltage 120-277V is available at the luminaire before installation.**
- **Not intended for use with emergency exit fixtures or emergency exit lights.**
- **Do not use if product is damaged.**
- **Installers should examine all parts that are not intended to be replaced by the retrofit kit for damage and replace any damaged parts prior to installation of the retrofit kit.**
- **This lamp is non-dimmable. Not for use with dimmers.**
- **"This luminaire has been modified to operate LED lamps" shall be marked on the retrofit luminaire where readily visible by the during normal maintenance including re-lamping.**
- **Risk of fire or electric shock. Do not open or modify. No user serviceable parts inside.**
- **SUITABLE FOR DAMP LOCATIONS. Not for use where directly exposed to the weather or water.**
- **Complies with Part 15 of FCC. Operation is subject to the following two conditions: (1) This device may not cause harmful interference, and (2) This device must accept any interference received including interference that may cause undesired operation.**
- **SUITABLE FOR "TYPE NON-IC" RECESSED LUMINAIRES WITHOUT DIFFUSER.**
- **No external weight or mechanical force should be applied to lamp or components.**
- **RISK OF FIRE. IF THE LAMP OR LUMINAIRE EXHIBITS UNDESIRABLE OPERATION (BUZZING, FLICKERING, ETC.), IMMEDIATELY TURN OFF POWER, REMOVE LAMP FROM LUMINAIRE AND CONTACT THE MANUFACTURER.**

##### **NOTE:**

- **This retrofit may be used in fixtures with 2 pin or 4 pin sockets and can replace 13W, 18W, 26W CFL lamps with G24q, GX24q, G24d and GX24d bases.**

# INSTRUCTIONS

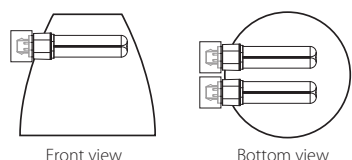
## OMNI PLC HYBRID

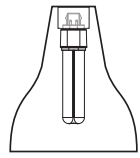


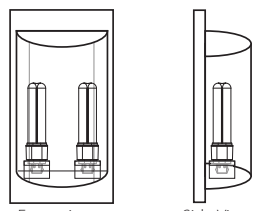
RAB Lighting is committed to creating high-quality, affordable, well-designed and energy-efficient LED lighting and controls that make it easy for electricians to install and end users to save energy. We'd love to hear your comments. Please call the Marketing Department at 888-RAB-1000 or email: [marketing@rablighting.com](mailto:marketing@rablighting.com)

### COMPARTMENT DIMENSION

Please make sure the minimum dimensions of the lamp compartment in the non-enclosed fixture meet the below guidelines.

 Non-enclosed Fixture Horizontal Installation	Model Number		PLC-7-O-8XX-HYB	PLC-9-O-8XX-HYB
	Fixture Dimension	Diameter		6.12 in
Height			4.75 in	4.75 in
Maximum Lamps in Fixture			2	2
Lampholder-to-Lampholder Spacing			0.375 in	0.375 in

 Non-enclosed Fixture Vertical Installation	Model Number		PLC-7-O-8XX-HYB	PLC-9-O-8XX-HYB
	Fixture Dimension	Diameter		4.50 in
Height			8.06 in	9.06 in
Maximum Lamps in Fixture			1	1
Lampholder-to-Lampholder Spacing			N/A	N/A

 Enclosed Fixture Installation	Model Number		PLC-7-O-8XX-HYB	PLC-9-O-8XX-HYB
	Fixture Dimension	Length		11.81 in
Width			6.31 in	6.31 in
Height			2.75 in	2.75 in
Maximum Lamps in Fixture			2	2
Lampholder-to-Lampholder Spacing			1.87 in	1.87 in

### WIRING DIAGRAM

- 1) Read all WARNINGS before proceeding.
- 2) Ensure fixture is powered by 120-277V.
- 3) Make sure POWER IS TURNED OFF AT THE SOURCE.
- 4) Remove lens (if applicable), remove cover and fluorescent lamp.
- 5) Before rewiring, check the ballast type and refer to the relevant diagram.
- 6) Before rewiring, please check the number of lamps per fixture and refer to the relevant diagram.
- 7) If fixture is new without ballast, please refer to Cf. Diagram 1.
- 8) If fixture ballast type is electronic, please refer to Cf. Diagram 2.
- 9) If fixture ballast type is magnetic please refer to Cf. Diagram 3.
- 10) This device is powered by two pins; Insure sockets are wired where pins will be installed
- 11) Visibly affix "Modification Sticker" and reinstall housing cover and lens if applicable.
- 12) Return power back to source and installation is now complete.

Diagram 2 – Electronic ballast fixture wiring modification

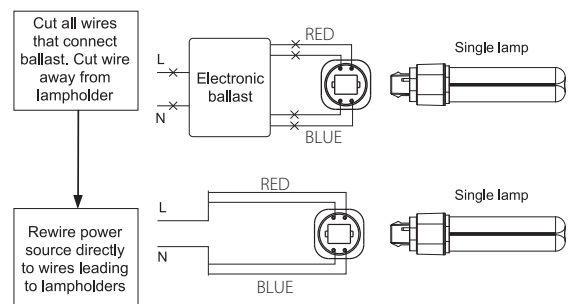


Diagram 1 – New fixture without ballast wiring

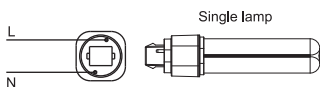
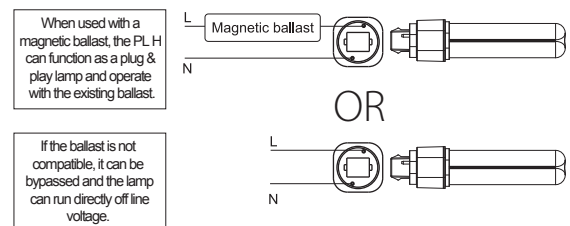


Diagram 3 – Magnetic ballast fixture wiring modification



© 2020 RAB LIGHTING Inc.  
Northvale, New Jersey 07647 USA

PLCOMHYB-IN-0820

### Easy Answers

[rablighting.com](http://rablighting.com)  
Visit our website for product info

**Tech Help Line**  
Call our experts: 888 722-1000

**e-mail**  
Answered promptly - [sales@rablighting.com](mailto:sales@rablighting.com)

**Free Lighting Layouts**  
Answered online or by request

RAB WARRANTY: RAB's warranty is subject to all terms and conditions found at [rablighting.com/warranty](http://rablighting.com/warranty).