

PLS Hybrid - Type A + B



PLS 3.5W
Horizontal



PLS 5.5W
Horizontal



PLS 5.5W
Vertical

Compact 2-Pin Gx23, PLS Hybrid, UL Type A+B Horizontal / Vertical



HORIZONTAL
USE



VERTICAL
USE



LISTED



CLASSIFIED



50,000
HOURS



ENCLOSED
FIXTURE RATED



DAMP
RATED



FCC
LISTED



RoHS

PROJECT:

DATE:

TYPE:

PREPARED BY:



KEY FEATURES

- Replaces 7-9W/13W CFL lamps
- Plug and Play on existing Magnetic CFL ballasts or can be wired directly to line voltage without need for an external driver or ballast
- Compatible with G23/Gx23 base installation
- 50,000-hour lifespan based on IES LM-80 and TM-21 calculations
- Environment friendly, no mercury used
- UL Classified
- Rated for use in enclosed and open fixtures in dry or damp locations
- Non-Dimmable
- 5-Year, No-Compromise Warranty

PERFORMANCE

Catalog Number	Equivalency	Input Wattage	Lumen	Efficacy	Color Temperature	CRI	L70 Lifespan
PLS-3.5-H-827-HYB	13W Gx23	3.5W	325	92	2700K	80	50,000
PLS-3.5-H-830-HYB	13W Gx23	3.5W	340	97	3000K	80	50,000
PLS-3.5-H-835-HYB	13W Gx23	3.5W	350	100	3500K	80	50,000
PLS-3.5-H-840-HYB	13W Gx23	3.5W	350	100	4000K	80	50,000
PLS-5.5-H-827-HYB	13W Gx23	5.5W	500	90	2700K	82	50,000
PLS-5.5-H-830-HYB	13W Gx23	5.5W	500	90	3000K	82	50,000
PLS-5.5-H-835-HYB	13W Gx23	5.5W	500	90	3500K	82	50,000
PLS-5.5-H-840-HYB	13W Gx23	5.5W	500	100	4000K	82	50,000
PLS-5.5-H-850-HYB	13W Gx23	5.5W	500	100	5000K	82	50,000
PLS-5.5-V-827-HYB	13W Gx23	5.5W	570	109	2700K	80	50,000
PLS-5.5-V-830-HYB	13W Gx23	5.5W	600	104	3000K	80	50,000
PLS-5.5-V-835-HYB	13W Gx23	5.5W	620	109	3500K	80	50,000
PLS-5.5-V-840-HYB	13W Gx23	5.5W	630	113	4000K	80	50,000

TECHNICAL SPECIFICATIONS

CONSTRUCTION

Product Type	Lens Finish	End-cap
Compact	Frosted	White

Bulb Shape	Wattage	Base Type	Beam Angle	Enclosure Material
PLS-H	3.5W	2-Pin G23	120°	Polycarbonate
PLS-H	5.5W	2-Pin Gx23	150°	Plastic End-cap with Aluminum Heat-sink and Glass Envelop
PLS-V	5.5W	2-Pin Gx23	120°	Polycarbonate

COMPLIANCE

Safety Listing

UL Listed, UL Classified

Environment/Fixture Rating

Damp / Enclosed

FCC

Complies with Part 15 of the FCC Rules.

RoHS

Mercury and UV free. RoHS-compliant components.

INSTALLATION METHOD

UL Type A with Magnetic ballast & UL Type B (Dual Mode)

ELECTRICAL

THD

≤20%

Power Factor

>0.9

Input Voltage

120-277V

Operating Frequency

Ballast dependent or 50/60Hz

Operating Temperature

-20°C to 45°C

Note

All values are typical (tolerance +/- 10%)

OTHER

Warranty

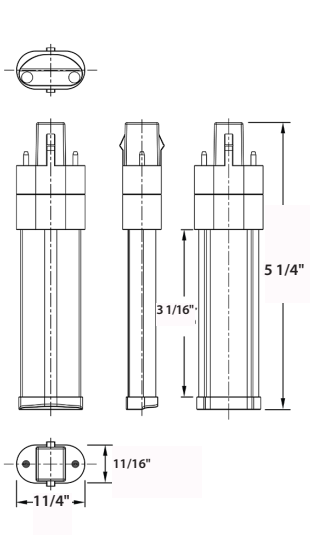
RAB warrants that our LED products will be free from defects in materials and workmanship for a period of five (5) years from the date of delivery to the end user, including coverage of light output, color stability, driver performance and fixture finish.

RAB's warranty is subject to all terms and conditions found at rablighting.com/warranty.

DIMENSIONS

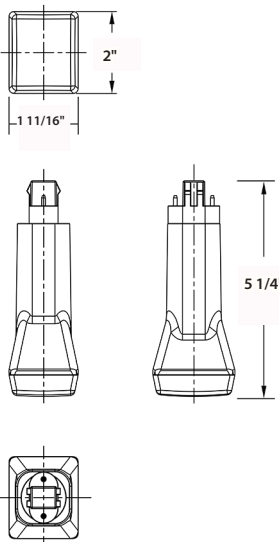
PLS 3.5W Horizontal

Weight: 0.1 lbs



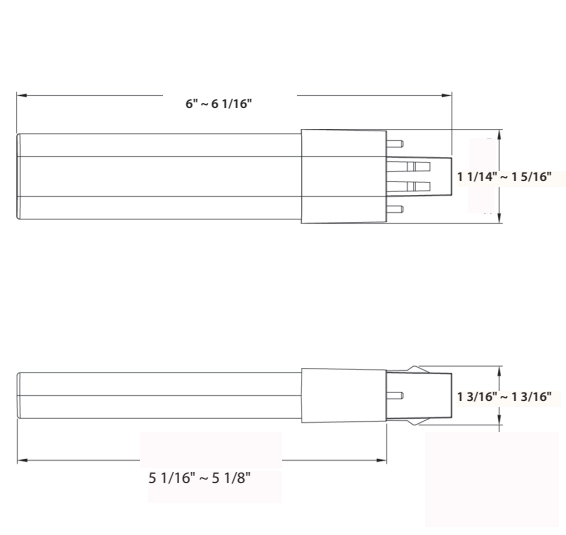
PLS 5.5W Vertical

Weight: 0.2 lbs



PLS 5.5W Horizontal

Weight: 0.2 lbs



ORDERING INFO

Catalog Number	Model Number (DLC/Energy Star)	UPC	Case Pack
PLS-3.5-H-827-HYB	T10202 (PLS-3.5-H-827-HYB)	019813916484	12
PLS-3.5-H-830-HYB	T10203 (PLS-3.5-H-830-HYB)	019813916613	12
PLS-3.5-H-835-HYB	T10204 (PLS-3.5-H-835-HYB)	019813916620	12
PLS-3.5-H-840-HYB	T10205 (PLS-3.5-H-840-HYB)	019813916637	12
PLS-5.5-H-827-HYB	T10049	019813834634	25
PLS-5.5-H-830-HYB	T10050	019813834641	25
PLS-5.5-H-835-HYB	T10051	019813834658	25
PLS-5.5-H-840-HYB	T10052	019813834665	25
PLS-5.5-H-850-HYB	T10052	019813834672	25
PLS-5.5-V-827-HYB	T10210 (PLS-5.5-V-827-HYB)	019813917887	12
PLS-5.5-V-830-HYB	T10211 (PLS-5.5-V-830-HYB)	019813917894	12
PLS-5.5-V-835-HYB	T10212 (PLS-5.5-V-835-HYB)	019813917900	12
PLS-5.5-V-840-HYB	T10213 (PLS-5.5-V-840-HYB)	019813917917	12

ORDERING MATRIX

Family	Wattage	Mounting Orientation	CRI/Color Temp	Installation Type
PLS	-	-	-	HYB
PLS Plug-In Lamps: Short Version	3.5 3.5W 5 5W 5.5 5.5W	H Horizontal V Vertical	850* 80 CRI, 5000K 840 80 CRI, 4000K 835 80 CRI, 3500K 830 80 CRI, 3000K 827 80 CRI 2700K	HYB Ballast Hybrid
			<i>*Only for 5.5W (Horizontal)</i> <i>82 CRI for all 5.5W (Horizontal)</i>	