

PORTO Field-Adjustable Garage Light



PRT55R



PRT55S



PRT80R & PRT110R



PRT80S & PRT110S



PROJECT: _____

DATE: _____

TYPE: _____

PREPARED BY: _____



KEY FEATURES

- Field-selectable wattages:
PRT55: 55/42/30W
PRT80: 80/70/60W
PRT110: 110/95/80W
- Selectable CCT: 3500/4000/5000K
- Available in square & round housing
- 120-277V & 480V
- Standard on/off photocell.
- Battery backup option available for 120-277V models
- Passive infrared and Microwave sensor kits available
- 5-year, limited warranty

PORTO Field-Adjustable Garage Light with On/Off Photocell



IP65
IP RATING



Lightcloud
LIGHTCLOUD
BLUE



PERFORMANCE

PRT55S	3500K	4000K	5000K	3500K	4000K	5000K	3500K	4000K	5000K
Wattage	55W			42W			30W		
Input Watts	53.7	52.1	53.3	41.4	40.4	41.2	30.3	29.7	30.2
Lumens	7144	7510	7323	5673	5919	5819	4233	4376	4344
Efficacy	133.0	144.1	137.4	137.0	146.5	141.2	139.7	147.3	143.8
CRI	79	81	81	80	81	81	80	81	81
Voltage Ratings	120-277V								

PRT55R	3500K	4000K	5000K	3500K	4000K	5000K	3500K	4000K	5000K
Wattage	55W			42W			30W		
Input Watts	53.3	51.9	53.4	41.2	40.3	41.3	30.2	29.7	30.2
Lumens	7295	7651	7453	5802	6030	5921	4340	4467	4417
Efficacy	136.9	147.4	139.6	140.8	149.6	143.4	143.7	150.4	146.3
CRI	79	81	81	80	81	81	80	81	81
Voltage Ratings	120-277V								

PRT80S	3500K	4000K	5000K	3500K	4000K	5000K	3500K	4000K	5000K
Wattage	80W			70W			60W		
Input Watts	78.1	75.7	77.7	66.8	64.9	66.4	56.8	55.5	56.6
Lumens	10400	11020	10850	9153	9564	9463	7887	8247	8201
Efficacy	133.2	145.6	139.6	137.0	147.4	142.5	138.9	148.6	144.9
CRI	79	81	81	80	81	81	80	81	81
Voltage Ratings	120-277V								

PORTO Field-Adjustable Garage Light

PERFORMANCE

PRT80R	3500K	4000K	5000K	3500K	4000K	5000K	3500K	4000K	5000K
Wattage	80W			70W			60W		
Input Watts	77.7	75.5	77.3	66.8	65.1	66.5	57.7	55.9	57.0
Lumens	10582	11195	10869	9304	9780	9562	8235	8478	8349
Efficacy	136.2	148.3	140.6	139.3	150.2	143.8	142.7	151.7	146.5
CRI	79	81	80	79	81	80	80	81	80
Voltage Ratings	120-277V								

PRT110S	3500K	4000K	5000K	3500K	4000K	5000K	3500K	4000K	5000K
Wattage	110W			95W			80W		
Input Watts	108.0	103.9	107.4	93.2	90.3	92.9	78.2	76.3	78.3
Lumens	13718	14348	14020	12092	12650	12417	10406	10833	10724
Efficacy	127.0	138.1	130.5	129.7	140.1	133.7	133.1	142.0	137.0
CRI	80	81	80	80	81	80	80	81	80
Voltage Ratings	120-277V								

PRT110R	3500K	4000K	5000K	3500K	4000K	5000K	3500K	4000K	5000K
Wattage	110W			95W			80W		
Input Watts	106.1	102.0	105.5	91.4	88.5	91.1	76.7	74.7	76.6
Lumens	13389	14125	13719	11850	12470	12213	10249	10705	10565
Efficacy	126.2	138.5	130.0	129.6	140.9	134.1	133.6	143.3	137.9
CRI	80	82	81	80	82	81	80	82	81
Voltage Ratings	120-277V								

PRT55S/480	3500K	4000K	5000K	3500K	4000K	5000K	3500K	4000K	5000K
Wattage	55W			42W			30W		
Input Watts	56.2	54.7	56.0	43.4	42.6	43.3	31.6	31.1	31.5
Lumens	7359	7758	7561	5761	6014	5905	4228	4370	4328
Efficacy	130.9	141.8	135.0	132.7	141.2	136.4	133.8	140.5	137.4
CRI	79	81	80	79	81	81	80	81	81
Voltage Ratings	480V								

PRT55R/480	3500K	4000K	5000K	3500K	4000K	5000K	3500K	4000K	5000K
Wattage	55W			42W			30W		
Input Watts	55.9	54.6	55.8	43.3	42.5	43.2	31.6	31.1	31.5
Lumens	7485	7887	7664	5865	6117	5989	4312	4453	4396
Efficacy	133.9	144.5	137.3	135.5	143.9	138.6	136.5	143.2	139.6
CRI	79	81	81	80	81	81	80	81	81
Voltage Ratings	480V								

PRT80S/480	3500K	4000K	5000K	3500K	4000K	5000K	3500K	4000K	5000K
Wattage	80W			70W			60W		
Input Watts	82.6	80.6	82.6	71.9	70.4	71.9	62.0	60.8	62.0
Lumens	11001	11646	11396	9679	10226	10061	8435	8872	8780
Efficacy	133.2	144.5	138.0	134.6	145.3	139.9	136.0	145.9	141.6
CRI	79	81	81	79	81	81	80	81	81
Voltage Ratings	480V								

PORTO Field-Adjustable Garage Light

PERFORMANCE

PRT80R/480	3500K	4000K	5000K	3500K	4000K	5000K	3500K	4000K	5000K
Wattage	80W			70W			60W		
Input Watts	83.0	81.0	83.0	72.3	70.7	72.3	62.1	61.1	62.3
Lumens	11318	11993	11643	10022	10544	10295	8723	9156	8993
Efficacy	136.4	148.1	140.3	138.6	149.1	142.4	140.5	149.9	144.3
CRI	79	81	80	79	81	80	79	81	80
Voltage Ratings	480V								

PRT110S/480	3500K	4000K	5000K	3500K	4000K	5000K	3500K	4000K	5000K
Wattage	110W			95W			80W		
Input Watts	110.3	106.7	110.3	95.3	92.5	95.3	80.8	78.8	80.8
Lumens	13700	14631	14164	12148	12854	12529	10563	11067	10880
Efficacy	124.2	137.1	128.4	127.5	139.0	131.5	130.7	140.4	134.7
CRI	80	82	81	80	82	81	80	82	81
Voltage Ratings	480V								

PRT110R/480	3500K	4000K	5000K	3500K	4000K	5000K	3500K	4000K	5000K
Wattage	110W			95W			80W		
Input Watts	110.5	106.6	110.3	95.3	92.4	95.2	80.8	78.8	80.8
Lumens	13926	14807	14327	12301	13024	12714	10699	11229	11065
Efficacy	126.0	138.9	129.9	129.1	141.0	133.6	132.4	142.5	136.9
CRI	80	82	81	80	81	81	80	81	81
Voltage Ratings	480V								

TECHNICAL SPECIFICATIONS

COMPLIANCE

UL Listed

Suitable for wet locations

DLC Listed

This product family is listed with the DesignLights Consortium (DLC). Individual SKUs within this family may carry either a DLC Standard or DLC Premium qualification. Please refer to the individual product specification sheet or the DLC Qualified Products List (QPL) at designlights.org to confirm the qualification status of a specific SKU prior to specification or purchase.

LED CHARACTERISTICS

LEDs

Long-life, high-efficacy, surface-mount LEDs

Color Uniformity

RAB's range of Correlated Color Temperature follows the guidelines of the American National Standards for Specifications for the Chromaticity of Solid State Lighting (SLL) Products, ANSI C78.377-2017.

Color Consistency

7-step MacAdam Ellipse binning to achieve consistent fixture-to-fixture color

CONSTRUCTION

Cold Weather Starting

The minimum starting temperature is -40°C (-40°F)

Cold Weather Starting for Battery Backup

The minimum starting temperature is 0°C (32°F)

CONSTRUCTION (CONTINUED)

Maximum Ambient Temperature

Suitable for use in up to 40°C (104°F)

Maximum Ambient Temperature for Battery Backup

Suitable for use in up to 50°C (122°F)

IP Rating

Ingress protection rating of IP65 for dust and water

Housing

Die-cast aluminum

Reflector

Polycarbonate

Lens

Polycarbonate

Mounting

Surface and pendant mounting

Gasket

Silicone rubber

Green Technology

Mercury and UV free. RoHS-compliant components

Finish

Formulated for high durability and long lasting color

TECHNICAL SPECIFICATIONS (CONTINUED)

ELECTRICAL

Drivers

Constant Current, Class 1, 120-277V, 50/60 Hz

PRT55:

55W: 120V: 0.50A, 208V: 0.29V, 240V: 0.25A, 277V: 0.22A
 42W: 120V: 0.35A, 208V: 0.21V, 240V: 0.18A, 277V: 0.15A
 30W: 120V: 0.25A, 208V: 0.15V, 240V: 0.13A, 277V: 0.11A

PRT80:

80W: 120V: 0.75A, 208V: 0.46V, 240V: 0.40A, 277V: 0.32A
 70W: 120V: 0.60A, 208V: 0.34V, 240V: 0.30A, 277V: 0.26A
 60W: 120V: 0.50A, 208V: 0.29V, 240V: 0.25A, 277V: 0.22A

PRT110:

110W: 120V: 0.96A, 208V: 0.56V, 240V: 0.48A, 277V: 0.42A
 95W: 120V: 0.80A, 208V: 0.46V, 240V: 0.40A, 277V: 0.35A
 80W: 120V: 0.67A, 208V: 0.38V, 240V: 0.34A, 277V: 0.29A

Constant Current, Class 1, 480V, 50/60 Hz

PRT55:

55W: 480V: 0.13A
 42W: 480V: 0.09A
 30W: 480V: 0.07A

PRT80:

80W: 480V: 0.20A
 70W: 480V: 0.15A
 60W: 480V: 0.13A

PRT110:

110W: 480V: 0.24A
 95W: 480V: 0.20A
 80W: 480V: 0.17A

Dimming Driver

Driver includes wiring for 0-10V dimming systems. Dim as low as 10%.

THD / Power Factor: (Factory default)

Model#	THD	PF	THD	PF
	120V		120V	
PRT55R	5.4%	99.6%	11.6%	93.6%
PRT55S	4.3%	99.6%	11.6%	93.5%
PRT80R	5.4%	99.7%	8.9%	96.1%
PRT80S	6.6%	99.7%	9.9%	96.4%
PRT110R	4.8%	99.8%	8.7%	96.5%
PRT110S	3.8%	99.8%	7.0%	96.6%

Model#	THD	Power Factor
	480V	
PRT55R/480	16.0%	91.1%
PRT55S/480	16.2%	91.2%
PRT80R/480	11.9%	95.5%
PRT80S/480	12.1%	95.4%
PRT110R/480	12.2%	94.3%
PRT110S/480	12.0%	94.3%

PERFORMANCE

Surge Protection

6kV

Photocell

Integrated on/off photocell

Note

All values are typical (tolerance +/- 10%)

FACTORY DEFAULT

Power Adjustable:

PRT55: 55/42/30W (Default 55W)

PRT80: 80/70/60W (Default 80W)

PRT110: 110/95/80W (Default 110W)

CCT Adjustable: 3500/4000/5000K (Default 4000K)

On/Off Photocell: Default Off

PERFORMANCE

Lifespan

100,000-hour LED lifespan based on IES LM-80 results and TM-21 calculations

OTHER

Warranty

The RAB 5-year, limited warranty covers light output, driver performance and paint finish. RAB's warranty is subject to all terms and conditions found at rablighting.com/warranty.

PORTO Field-Adjustable Garage Light

WIRELESS NETWORK LIGHTING CONTROLS

Lightcloud products offer integrated network lighting control for a truly wireless solution that allows you to manage RAB's various compatible devices. With RAB's patented Rapid Provisioning technology, devices can be quickly and easily commissioned for residential and commercial applications. Each device can communicate with other devices in the mesh network. With two Lightcloud systems to choose from, it's easy to implement controls anywhere.

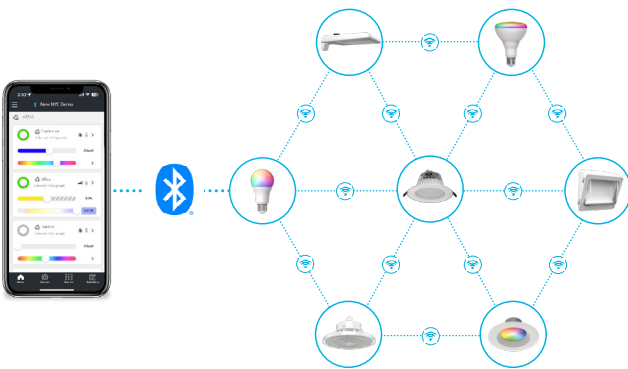


Learn more about Lightcloud wireless networked lighting controls.

Design Lights Consortium Network Lighting Controls:

- Interior Applications: N1XMLOEATB
- Exterior Applications: NHCZ2BIA17L

Lightcloud®



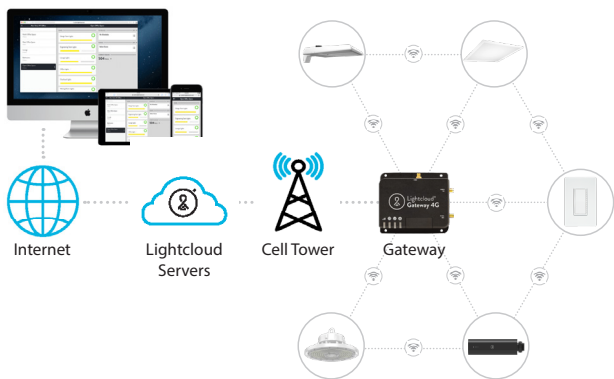
- Utilizes Bluetooth Mesh, eliminating the need for a Gateway or Hub
- Ideal for applications that need basic wireless control such as ON/OFF, dimming, color tuning, Schedules, and SmartShift
- Download the Lightcloud Blue mobile app for iOS or Android devices
- Add the XDIM/BRIDGE/LCB and LCGATEWAY to adopt premium Lightcloud Enterprise features

SIMPLE SETUP



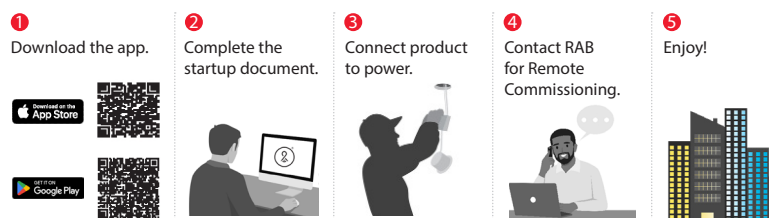
Learn more about [Lightcloud Blue](#). Visit the [Lightcloud Blue Resources](#) page for more information on how to use the system.

Lightcloud®



- Utilizes a secure cellular and Zigbee mesh network that requires a Gateway or Hub (sold separately)
- Offers premium features like remote commissioning, demand response, BACnet integration, and more
- Download the Lightcloud Enterprise mobile app for iOS or Android devices

SIMPLE SETUP



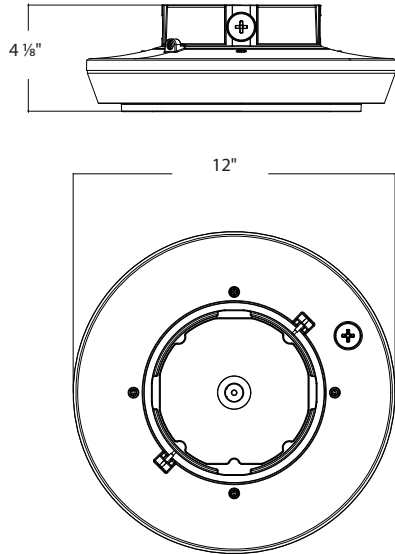
Learn more about [Lightcloud Enterprise](#). Visit the [Lightcloud Enterprise Resources](#) page for more information on how to use the system.

PORTO Field-Adjustable Garage Light

DIMENSIONS

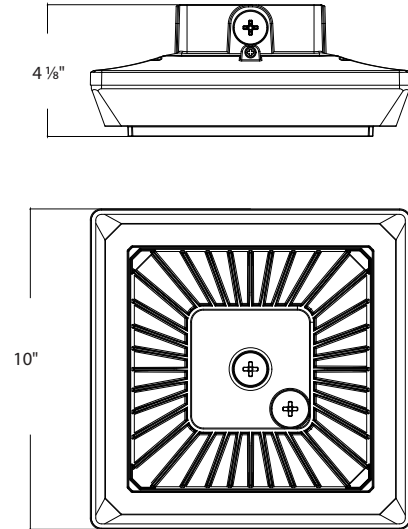
PRT55R

Weight: 3.76 lbs



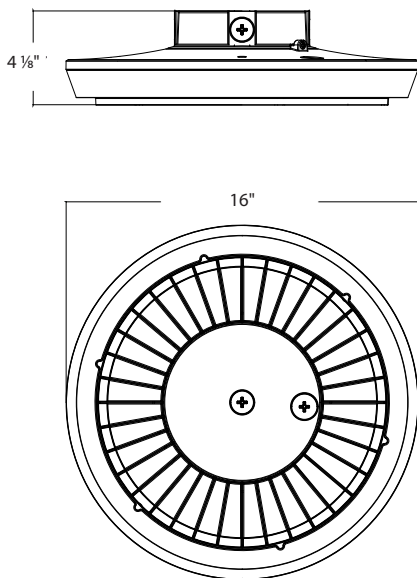
PRT55S

Weight: 3.86 lbs



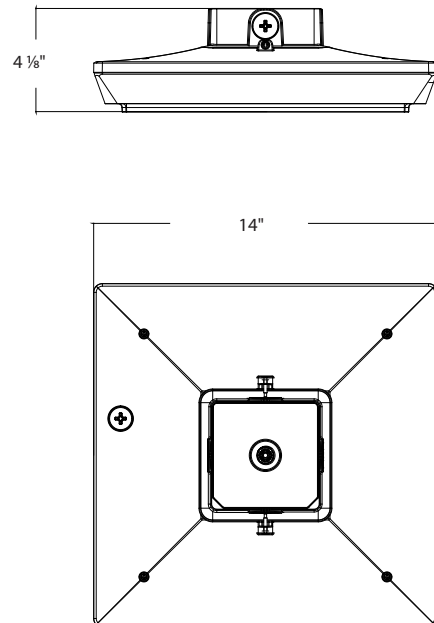
PRT80R & PRT110R

Weight: 6.84 lbs




















PRT80S & PRT110S

Weight: 6.94 lbs



PORTO Field-Adjustable Garage Light

ACCESSORIES

IMAGE	SKU#	UPC	DESCRIPTION	WEIGHT
	MVS20	192552026017	LOW CEILING LOW VOLTAGE MVS SENSOR WHITE	0.10 lb
	MVS20/LCB	192552042253	LC BLUE LOW CEILING LOW VOLTAGE LUMINAIRE CONTROLLER WITH MVS WHITE	0.10 lb
	MVS20B	192552042291	LOW CEILING LOW VOLTAGE MVS SENSOR BLACK	0.10 lb
	MVS20B/LCB	192552042277	LC BLUE LOW CEILING LOW VOLTAGE LUMINAIRE CONTROLLER WITH MVS BLACK	0.10 lb
	MVS50	192552025997	HIGH CEILING LOW VOLTAGE MVS SENSOR WHITE	0.10 lb
	MVS50/LCB	192552026062	LC BLUE HIGH CEILING LOW VOLTAGE LUMINAIRE CONTROLLER WITH MVS WHITE	0.14 lb
	MVS50B	192552042314	HIGH CEILING LOW VOLTAGE MVS SENSOR BLACK	0.10 lb
	MVS50B/LCB	192552036924	LC BLUE HIGH CEILING LOW VOLTAGE LUMINAIRE CONTROLLER WITH MVS BLACK	0.14 lb
	PIR20	192552026024	LOW CEILING LOW VOLTAGE PIR SENSOR WHITE	0.10 lb
	PIR20/LCB	192552042246	LC BLUE LOW CEILING LOW VOLTAGE LUMINAIRE CONTROLLER WITH PIR WHITE	0.10 lb
	PIR20B	192552042284	LOW CEILING LOW VOLTAGE PIR SENSOR BLACK	0.10 lb
	PIR20B/LCB	192552042260	LC BLUE LOW CEILING LOW VOLTAGE LUMINAIRE CONTROLLER WITH PIR BLACK	0.10 lb
	PIR40	192552026000	HIGH CEILING LOW VOLTAGE PIR SENSOR WHITE	0.10 LB
	PIR40/LCB	192552026079	LC BLUE HIGH CEILING LOW VOLTAGE LUMINAIRE CONTROLLER WITH PIR WHITE	0.12 lb
	PIR40B	192552042307	HIGH CEILING LOW VOLTAGE PIR SENSOR BLACK	0.10 LB
	PIR40B/LCB	192552036917	LC BLUE HIGH CEILING LOW VOLTAGE LUMINAIRE CONTROLLER WITH PIR BLACK	0.12 lb
	MSR1	192552026055	MULTI SENSOR REMOTE IP20	0.25 lb

PORTO Field-Adjustable Garage Light

ORDERING MATRIX

PORTO

Family	Wattage	Color Temp	Shape	Finish	Driver	Controls	Battery Backup
PRT							
55	55/42/30W	BLANK 3500/4000/5000K	S Square	BLANK Bronze	BLANK 120-277V,	BLANK	None
80	80/70/60W	CCT Adjustable	R Round	W White	0-10V Dimming	On/Off Photocell ¹ Lightcloud	Battery Backup ³
110	110/95/80W				/480V 480V, 0-10V Dimming	Lightcloud Blue ²	

¹ Integrated photocell can't be used when ordered with LC or LCB options

² Should not be combined with integrated fixture sensors

³ Battery backup only available on 120-277V models