



HID 36W

HID 45W

HID 54W

HID 63W

LED Post Top Lamps UL Type B



PROJECT:

DATE:

TYPE:

PREPARED BY:



KEY FEATURES

- Replaces traditional metal halide or high pressure sodium HID lamp
- Lamp includes on board low-voltage AUX port for lamp level sensor accessories
- Integral driver enables lamp to be wired directly to line voltage without need for an external driver or ballast
- Rated for use in enclosed and open fixtures in dry or damp locations
- 4kV surge protection built in
- 50,000-Hour lifespan
- Environmentally friendly, no mercury used
- UL Listed, DLC Listed
- Dimmable
- 5-Year, No-Compromise Warranty

PERFORMANCE

| Catalog Number | Equivalency | Input Wattage | Lumens (Nominal) | Efficacy lm/W | Color Temperature | CRI | L70 Lifespan | DLC ID |
|-------------------------|-------------|---------------|------------------|---------------|-------------------|-----|--------------|--------------|
| HID-36-E26-850-BYP/3SP | 150W HID | 36W | 5400 | 150 | 5000K | 80+ | 50,000 hrs | N/A |
| HID-36-EX39-850-BYP/3SP | 150W HID | 36W | 5400 | 150 | 5000K | 80+ | 50,000 hrs | PL43238D7M5S |
| HID-45-E26-850-BYP/3SP | 175W HID | 45W | 6800 | 150 | 5000K | 80+ | 50,000 hrs | N/A |
| HID-45-EX39-850-BYP/3SP | 175W HID | 45W | 6800 | 150 | 5000K | 80+ | 50,000 hrs | PLX1AD8F9Q1N |
| HID-54-E26-850-BYP/3SP | 200W HID | 54W | 8100 | 150 | 5000K | 80+ | 50,000 hrs | N/A |
| HID-54-EX39-850-BYP/3SP | 200W HID | 54W | 8100 | 150 | 5000K | 80+ | 50,000 hrs | PLCUHX2SNULC |
| HID-63-EX39-850-BYP/3SP | 250W HID | 63W | 9500 | 150 | 5000K | 80+ | 50,000 hrs | PLPM8FHXJ15T |

TECHNICAL SPECIFICATIONS

CONSTRUCTION

Product Type

HID

Base Type

E26, EX39

Bulb Shape

Post Top

Beam Angle

360°

Enclosure Material

Polycarbonate & Metal Heat Sink

Endcap Finish

White

COMPLIANCE

Safety Listing

UL Listed

Environment/Fixture Rating

Damp / Enclosed

IP Rating

IP64

DLC

This product is on the Design Lights Consortium (DLC) Qualified Products List and is eligible for rebates from DLC Member Utilities

FCC

Complies with Part 15 of the FCC Rules.

RoHS

Mercury and UV free. RoHS-compliant components.

INSTALLATION

Installation Method

UL Type B, Ballast Bypass

Burning Position

Universal

OTHER

Warranty

RAB warrants that our LED products will be free from defects in materials and workmanship for a period of five (5) years from the date of delivery to the end user, including coverage of light output, color stability, driver performance and fixture finish.

RAB's warranty is subject to all terms and conditions found at rablighting.com/warranty.

ELECTRICAL

THD

≤20%

Power Factor

>0.9

Input Voltage

100-277V

Operating Frequency

50/60Hz

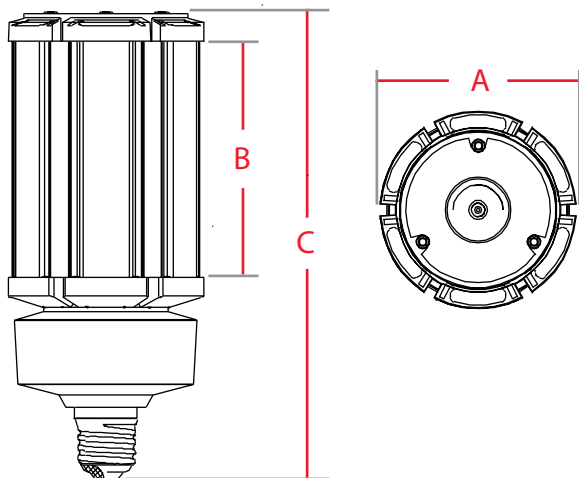
Operating Temperature

-30°C to 60°C

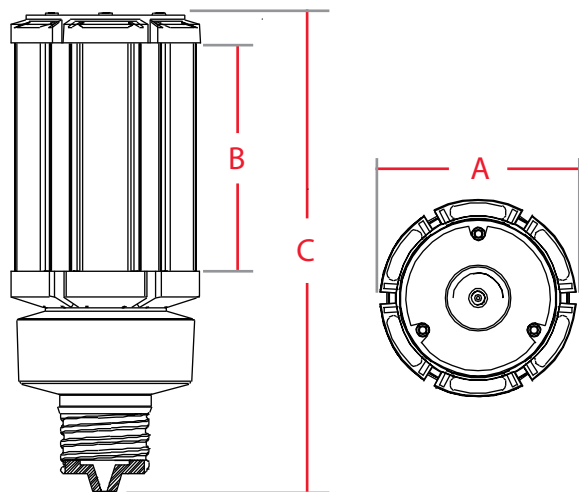
Note

All values are typical (tolerance +/- 10%)

DIMENSIONS



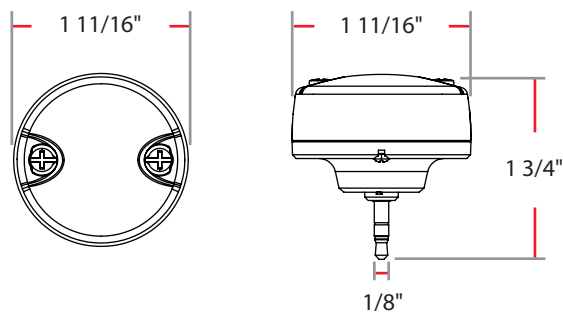
| E26 | A | B | C |
|-----|--------|----------|----------|
| 36W | 3 3/8" | 3 15/16" | 7 15/16" |
| 45W | 3 3/8" | 5 1/8" | 9 1/16" |
| 54W | 3 3/8" | 5 1/8" | 9 1/16" |



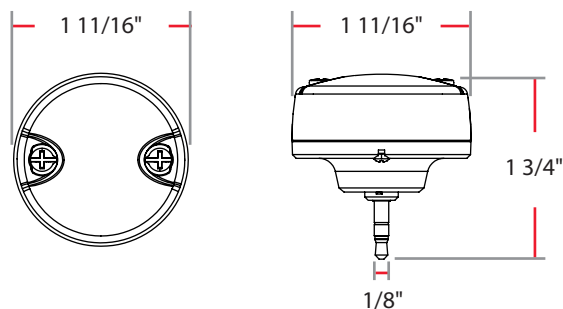
| EX39 | A | B | C |
|------|--------|----------|---------|
| 36W | 3 3/8" | 3 15/16" | 8 3/8" |
| 45W | 3 3/8" | 5 1/8" | 9 5/8" |
| 54W | 3 3/8" | 5 1/8" | 9 5/8" |
| 63W | 3 3/8" | 5 11/16" | 10 1/4" |

ACCESSORIES

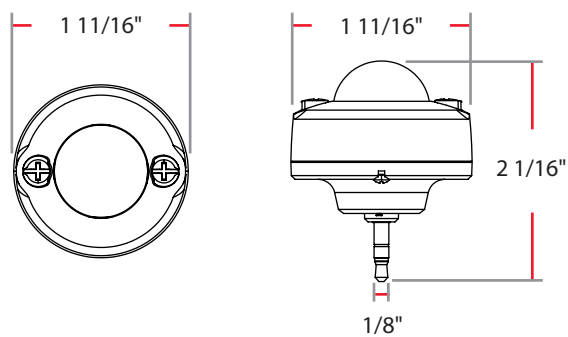
Option Accessories



Catalog Number: SMW-S / MW-S



Catalog Number: DAYLIGHT-S



Catalog Number: SPIR-S / PIR-S

ORDERING INFO

| Catalog Number | Model Number (DLC/Energy Star) | UPC | Case Pack |
|-------------------------|----------------------------------|--------------|-----------|
| HID-36-E26-850-BYP/3SP | H10066 (HID-36-E26-850-BYP/3SP) | 192552005180 | 12 |
| HID-36-EX39-850-BYP/3SP | H10067 (HID-36-EX39-850-BYP/3SP) | 192552005173 | 12 |
| HID-45-E26-850-BYP/3SP | H10068 (HID-45-E26-850-BYP/3SP) | 192552005203 | 12 |
| HID-45-EX39-850-BYP/3SP | H10069 (HID-45-EX39-850-BYP/3SP) | 192552005197 | 12 |
| HID-54-E26-850-BYP/3SP | H10079 (HID-54-E26-850-BYP/3SP) | 192552006255 | 12 |
| HID-54-EX39-850-BYP/3SP | H10070 (HID-54-EX39-850-BYP/3SP) | 192552005210 | 12 |
| HID-63-EX39-850-BYP/3SP | H10071 (HID-63-EX39-850-BYP/3SP) | 192552005227 | 12 |

ORDERING MATRIX

| Family | Wattage | Base Type | CRI/Color Temp | Installation Type | Sensor |
|------------|---------------|-----------------------|--------------------------|---------------------------|------------------------------|
| HID | - | - | - | - | - |
| | 36 36W | EX39 EX39 Base | 850 80 CRI, 5000K | BYP Ballast Bypass | 3SP 3-Pin Sensor Port |
| | 45 45W | E26 E26 Base | | | |
| | 54 54W | | | | |
| | 63 63W | | | | |