

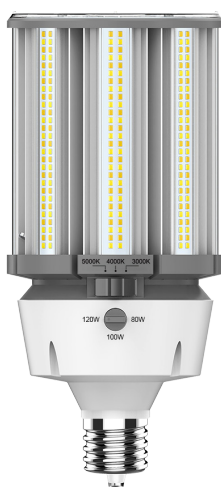
Field-Adjustable Post Top



27S
(No 3-pin sensor port)



36S / 45S / 54S / 63S
(with 3-pin sensor port)



80S / 100S / 120S
(with 3-pin sensor port)

Wattage and CCT Adjustable UL Type B



PROJECT: _____

DATE: _____

TYPE: _____

PREPARED BY: _____



KEY FEATURES

- Replaces traditional metal halide or high pressure sodium HID lamp
- Adjustable wattage and CCT allow for in-field customization
- Lamp includes on board low-voltage AUX port for lamp-level sensor accessories (select models)
- Integral driver enables lamp to be wired directly to line voltage without need for an external driver or ballast
- Rated for use in enclosed fixtures in dry or damp locations
- 4kV surge protection built in
- 50,000-Hour lifespan
- Environmentally friendly, no mercury used
- UL Listed, DLC Listed (select models)
- Dimmable
- 5-Year, No-Compromise Warranty

PERFORMANCE

Catalog Number	Equivalency	Input Wattage	Lumens (Nominal)	Efficacy lm/W	Color Temperature	CRI	L70 Lifespan	DLC ID
HIDFA-27S-E26-8CCT-BYP	50/75/125W	12/18 /27W	1740/2610/3915	145	3000/4000/5000K	80+	50,000	N/A
HIDFA-27S-EX39-8CCT-BYP	50/75/125W	12/18 /27W	1740/2610/3915	145	3000/4000/5000K	80+	50,000	PR1C77FW
HIDFA-36S-E26-8CCT-BYP/3SP	75/125/150W	18/27/36W	2610/3915/5220	145	3000/4000/5000K	80+	50,000	N/A
HIDFA-36S-EX39-8CCT-BYP/3SP	75/125/150W	18/27/36W	2610/3915/5220	145	3000/4000/5000K	80+	50,000	PANI3V6G
HIDFA-45S-E26-8CCT-BYP/3SP	125/150/175W	27/36/45W	3915/5220/6525	145	3000/4000/5000K	80+	50,000	N/A
HIDFA-45S-EX39-8CCT-BYP/3SP	125/150/175W	27/36/45W	3915/5220/6525	145	3000/4000/5000K	80+	50,000	PG98TFU5
HIDFA-54S-E26-8CCT-BYP/3SP	150/175/200W	36/45/54W	5220/6525/7830	145	3000/4000/5000K	80+	50,000	N/A
HIDFA-54S-EX39-8CCT-BYP/3SP	150/175/200W	36/45/54W	5220/6525/7830	145	3000/4000/5000K	80+	50,000	PK1M7DYL
HIDFA-63S-EX39-8CCT-BYP/3SP	175/200/250W	45/54/63W	6525/7830/9135	145	3000/4000/5000K	80+	50,000	PNEUJU9B
HIDFA-80S-EX39-8CCT-BYP/3SP	200/250/320W	54/63/80W	7830/9135/11600	145	3000/4000/5000K	80+	50,000	PDIHGBYQ
HIDFA-100S-EX39-8CCT-BYP/3SP	250/320/400W	63/80/100W	9135/11600/14500	145	3000/4000/5000K	80+	50,000	PEXK7EN6
HIDFA-120S-EX39-8CCT-BYP/3SP	320/400/600W	80/100/120W	11600/14500/17400	145	3000/4000/5000K	80+	50,000	PZW8AHTW

TECHNICAL SPECIFICATIONS

CONSTRUCTION

Product Type HID	Base Type E26, EX39
Bulb Shape Post Top	Beam Angle 360°
Enclosure Material Polycarbonate & Metal Heat Sink	
Endcap Finish White	

INSTALLATION

Installation Method UL Type B, Ballast Bypass	Burning Position Vertical/Horizontal. The 120W is vertical installation only.
---	---

ELECTRICAL

THD ≤20%
Power Factor >0.9
Input Voltage 100-277V
Operating Frequency 50/60Hz
Operating Temperature -22°F to 140°F (-30°C to 60°C)

Note
All values are typical (tolerance +/- 10%)

COMPLIANCE

Safety Listing UL Listed, UL Classified
Environment/Fixture Rating Damp / Enclosed
IP Rating IP64
DLC This product is on the Design Lights Consortium (DLC) Qualified Products List and is eligible for rebates from DLC Member Utilities
FCC Complies with Part 15 of the FCC Rules.
RoHS Mercury and UV free. RoHS-compliant components.

TECHNICAL SPECIFICATIONS (CONT.)

OTHER

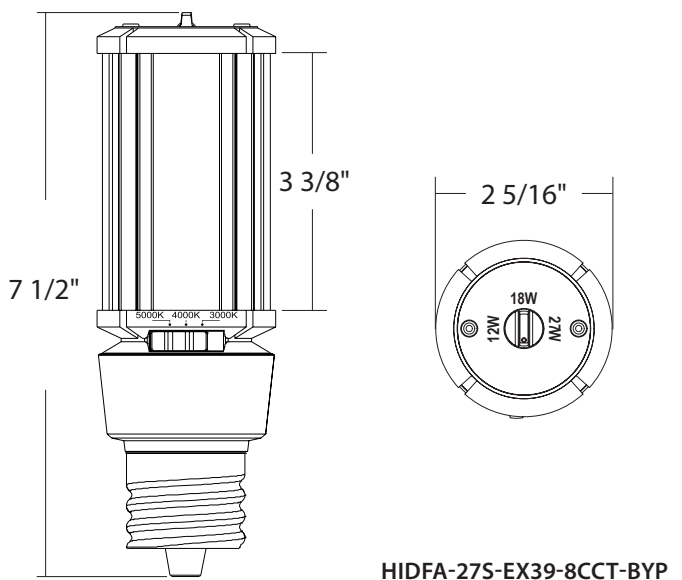
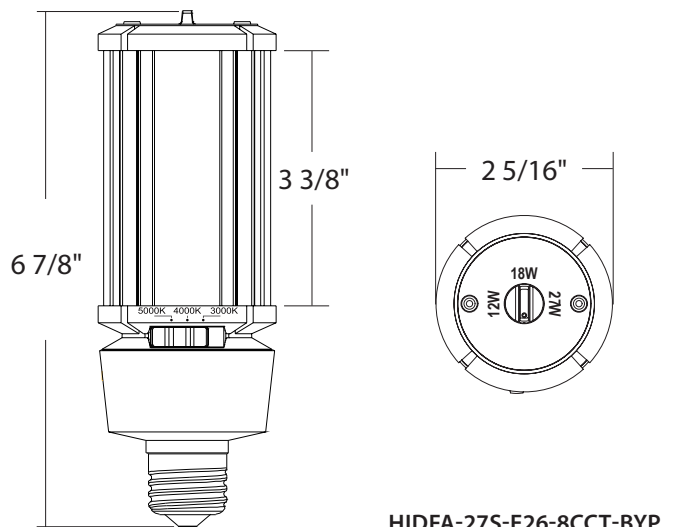
Warranty
RAB warrants that our LED products will be free from defects in materials and workmanship for a period of five (5) years from the date of delivery to the end user, including coverage of light output, color stability, driver performance and fixture finish.

RAB's warranty is subject to all terms and conditions found at rablighting.com/warranty.

DIMENSIONS

HIDFA 12/18/27W

Weight: 0.8 lb

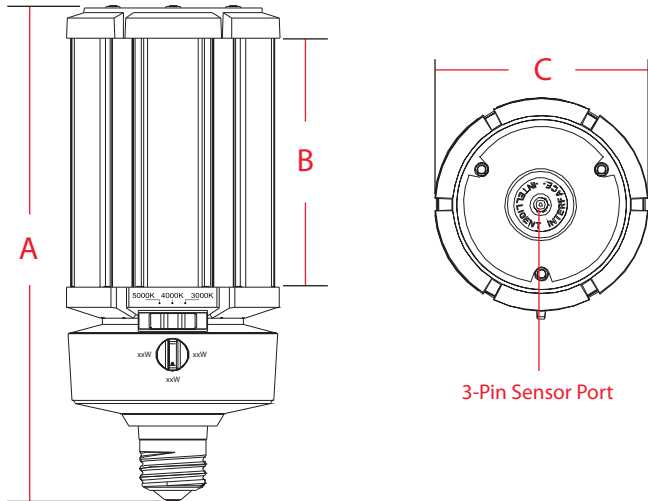


Field-Adjustable Post Top

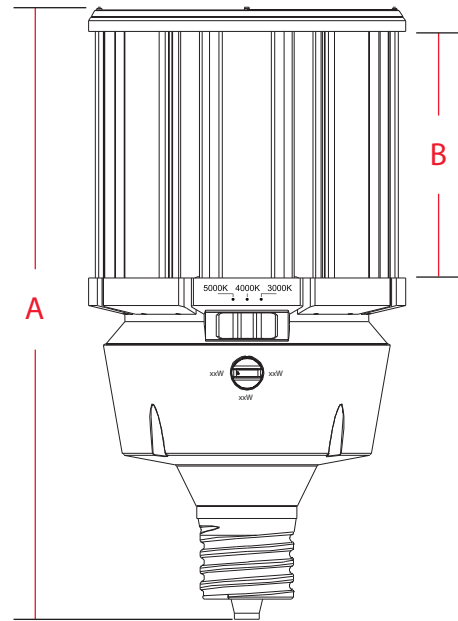


DIMENSIONS

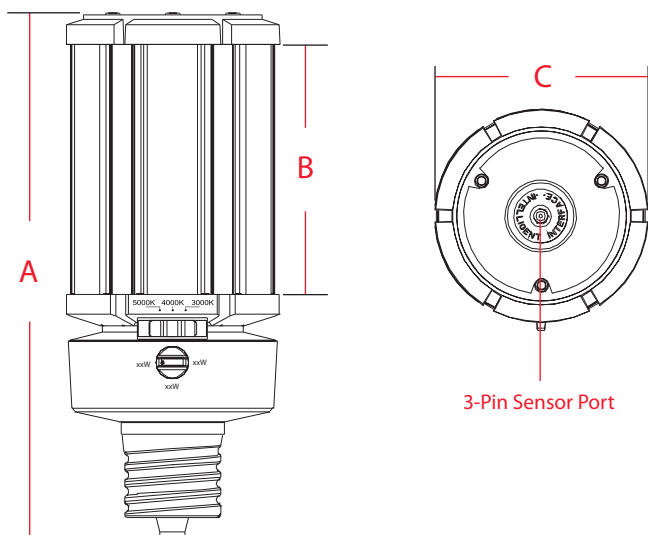
HIDFA E26 Base



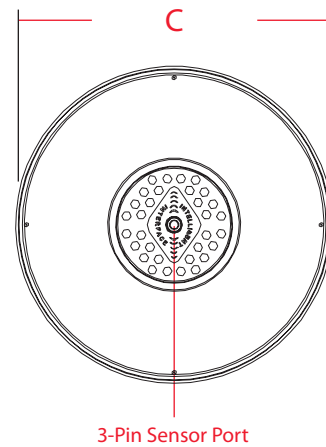
E26	Weight	A	B	C
18/27/36W	1.6 lbs	7 7/8"	3 7/8"	3 3/8"
27/36/45W	1.9 lbs	9 1/16"	5 1/16"	3 3/8"
36/45/54W	1.9 lbs	9 1/16"	5 1/16"	3 3/8"



HIDFA EX39 Base



EX39	Weight	A	B	C
18/27/36W	1.6 lbs	8 3/8"	3 7/8"	3 3/8"
27/36/45W	1.9 lbs	9 9/16"	5 1/16"	3 3/8"
36/45/54W	1.9 lbs	9 9/16"	5 1/16"	3 3/8"
45/54/63W	2 lbs	10 3/16"	5 11/16"	3 3/8"



EX39	Weight	A	B	C
54/63/80W	3.5 lbs	9 7/8"	4"	5 1/8"
63/80/100W	3.8 lbs	10 1/2"	4 9/16"	5 1/8"
80/100/120W	4 lbs	11 1/4"	5 3/8"	5 1/8"

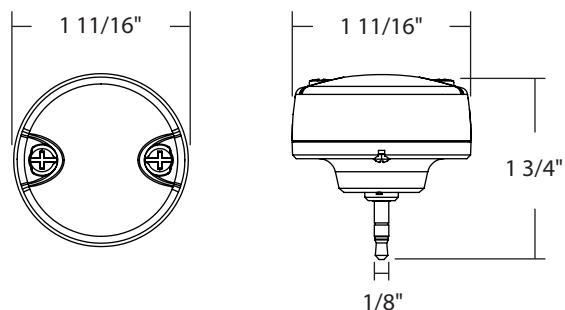
Field-Adjustable Post Top



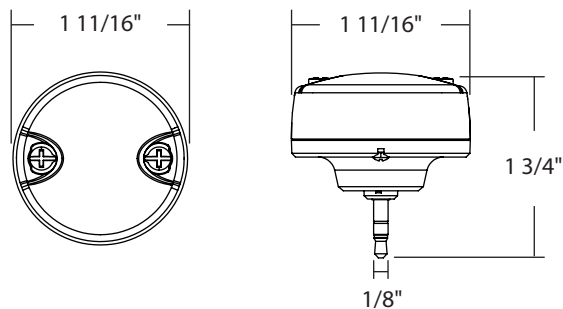
DIMENSIONS

ACCESSORIES

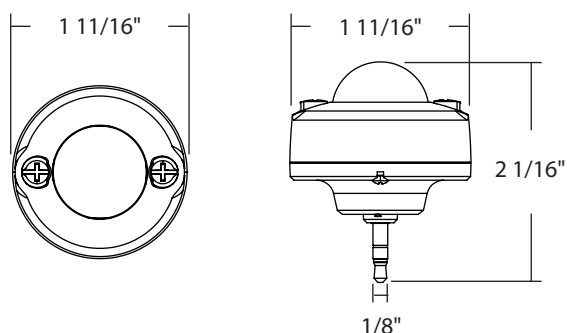
Option Accessories



Catalog Number: SMW-S / MW-S



Catalog Number: DAYLIGHT-S



Catalog Number: SPIR-S / PIR-S

ORDERING INFO

Catalog Number	Model Number (DLC/Energy Star)	UPC	Case Pack
HIDFA-27S-E26-8CCT-BYP	H10046(HIDFA-27S-E26-8CCT-BYP)	192552004985	12
HIDFA-27S-EX39-8CCT-BYP	H10047(HIDFA-27S-EX39-8CCT-BYP)	192552004978	12
HIDFA-36S-E26-8CCT-BYP/3SP	H10048(HIDFA-36S-E26-8CCT-BYP/3SP)	192552005005	12
HIDFA-36S-EX39-8CCT-BYP/3SP	H10049(HIDFA-36S-EX39-8CCT-BYP/3SP)	192552004992	12
HIDFA-45S-E26-8CCT-BYP/3SP	H10050(HIDFA-45S-E26-8CCT-BYP/3SP)	192552005029	12
HIDFA-45S-EX39-8CCT-BYP/3SP	H10051(HIDFA-45S-EX39-8CCT-BYP/3SP)	192552005012	12
HIDFA-54S-E26-8CCT-BYP/3SP	H10052(HIDFA-54S-E26-8CCT-BYP/3SP)	192552006217	12
HIDFA-54S-EX39-8CCT-BYP/3SP	H10053(HIDFA-54S-EX39-8CCT-BYP/3SP)	192552005036	12
HIDFA-63S-EX39-8CCT-BYP/3SP	H10054(HIDFA-63S-EX39-8CCT-BYP/3SP)	192552005043	12
HIDFA-80S-EX39-8CCT-BYP/3SP	H10055(HIDFA-80S-EX39-8CCT-BYP/3SP)	192552005050	6
HIDFA-100S-EX39-8CCT-BYP/3SP	H10056(HIDFA-100S-EX39-8CCT-BYP/3SP)	192552005067	6
HIDFA-120S-EX39-8CCT-BYP/3SP	H10057(HIDFA-120S-EX39-8CCT-BYP/3SP)	192552005074	6

Field-Adjustable Post Top



ORDERING MATRIX

Family	Wattage		Base Type		CRI/Color Temp		Installation Type		Sensor	
HIDFA	-		-		-	8CCT	-	BYP		
	27S	12/18/27W	EX39	EX39 Base	8CCT	80 CRI, CCT Selectable	BYP	Ballast Bypass	Blank	No sensor**
	36S	18/27/36W	E26	E26 Base*					/3SP	3-Pin Sensor Port
	45S	27/36/45W								
	54S	36/45/54W								
	63S	45/54/63W								
	80S	54/63/80W								
	100S	63/80/100W								
	120S	80/100/120W								
	Wattage Selectable									

*E26 Base is only available in 27S, 36S, 45S, and 54S wattages.

**Available only in 27S wattage