

1000W performance with  
over 60% energy savings!

RAIL<sup>®</sup> 400W  
High Bay

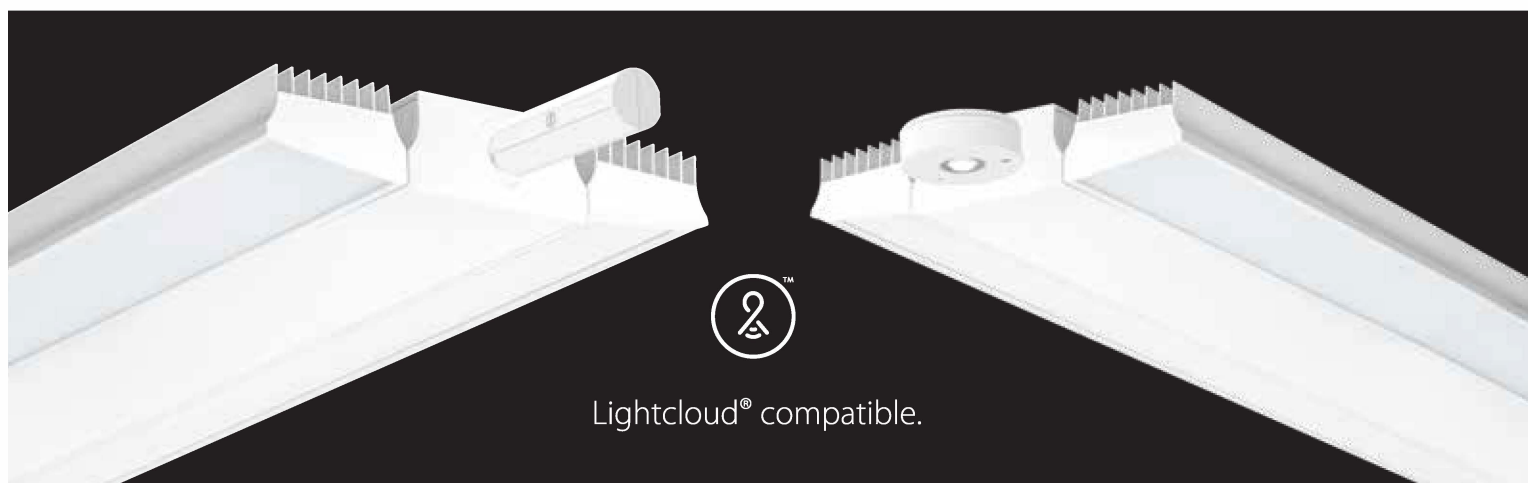


Visit [rabweb.com](http://rabweb.com) to see  
which models are DLC Premium  
or DLC listed.

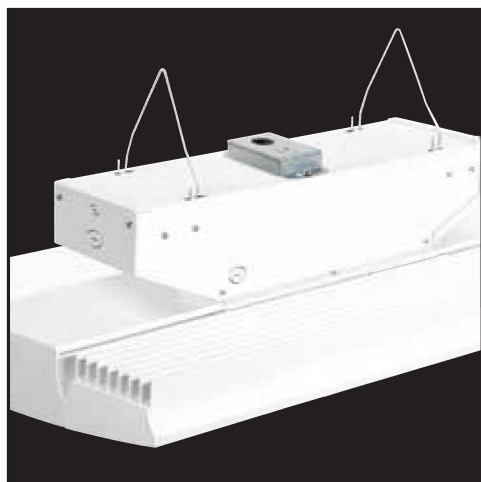
**RAB**<sup>®</sup>  
LIGHTING  
RABWEB.COM • 888 722-1000

# RAIL400 High Bay

- Low-glare design with semi-diffuse lens
- Replaces 1000W MH
- Premium architectural look paired with a durable design
- Various sensor options for multi-level lighting control
- Ultra-high efficiency up to 138 lm/W
- 0-10V dimmable driver



Lightcloud® controller and high bay sensor options for compatibility with RAB's lighting control system.



Available with emergency battery backups  
(2 per fixture required)



High-transmittance lens for maximum light output; semi-diffuse polystyrene eliminates glare

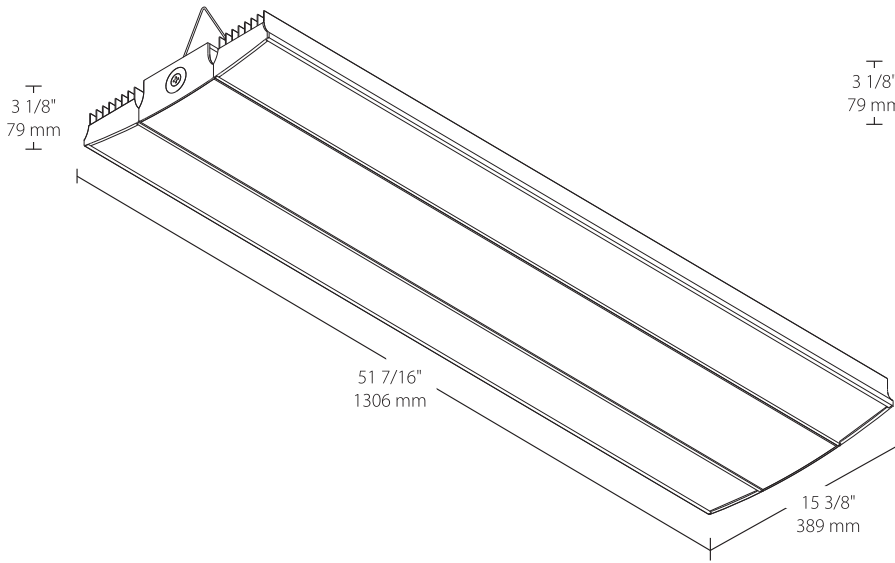


Optional daylight/motion sensor with high/low modes, time-delay dimming and timed cutoff

# Dimensions & weights

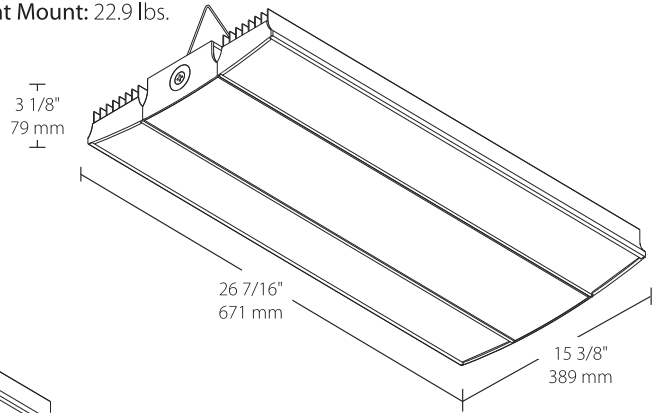
## RAIL 400W

**Weight:** 42.4 lbs.  
**Pendant Mount:** 46.9 lbs.



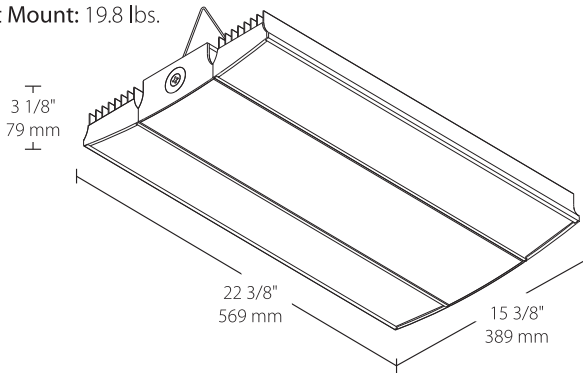
## RAIL 225W

**Weights**  
**Chain Mount:** 20.7 lbs.  
**Pendant Mount:** 22.9 lbs.



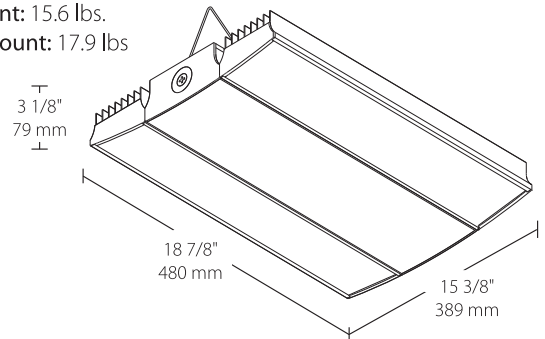
## RAIL 185W

**Weights**  
**Chain Mount:** 17.6 lbs.  
**Pendant Mount:** 19.8 lbs.



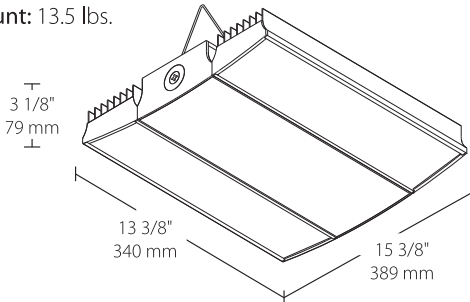
## RAIL 150W

**Weights**  
**Chain Mount:** 15.6 lbs.  
**Pendant Mount:** 17.9 lbs.



## RAIL 95W

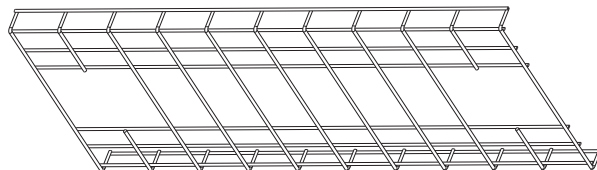
**Weights**  
**Chain Mount:** 10.3 lbs.  
**Pendant Mount:** 13.5 lbs.



# Accessories (ordered separately)

## Wire Guards

GDRAIL52W (for 400W models)  
GDRAIL26W (for 225W models)  
GDRAIL22W (for 185W models)  
GDRAIL18W (for 150W models)  
GDRAIL13W (for 95W models)



GDRAIL22W shown

## RAIL 400W - 52" Replaces 400 - 1000W MH

	5000K	4000K	3500K
<b>Color Temperature</b>	5000K	4000K	3500K
<b>Input Watts</b>	394	393	394
<b>Output Lumens</b>	53,141	54,821	51,824
<b>Lumens Per Watt</b>	135	140	132
<b>Color Accuracy (CRI)</b>	84	82	84

## RAIL 225W - 26" Replaces 350 - 400W MH

	5000K	4000K	3500K
<b>Color Temperature</b>	5000K	4000K	3500K
<b>Input Watts</b>	196	193	197
<b>Output Lumens</b>	26,731	26,926	26,069
<b>Lumens Per Watt</b>	136	140	133
<b>Color Accuracy (CRI)</b>	84	83	83

## RAIL 185W - 22" Replaces 250 - 400W MH

	5000K	4000K	3500K
<b>Color Temperature</b>	5000K	4000K	3500K
<b>Input Watts</b>	164	165	164
<b>Output Lumens</b>	21,806	22,825	21,753
<b>Lumens Per Watt</b>	133	138	132
<b>Color Accuracy (CRI)</b>	84	82	83

## RAIL 150W - 18" Replaces 175 - 320W

	5000K	4000K	3500K
<b>Color Temperature</b>	5000K	4000K	3500K
<b>Input Watts</b>	134	134	133
<b>Output Lumens</b>	17,907	18,839	17,863
<b>Lumens Per Watt</b>	134	140	133
<b>Color Accuracy (CRI)</b>	84	82	83

## RAIL 95W - 13" Replaces 100 - 250W MH

	5000K	4000K	3500K
<b>Color Temperature</b>	5000K	4000K	3500K
<b>Input Watts</b>	91	93	91
<b>Output Lumens</b>	12,252	12,255	12,222
<b>Lumens Per Watt</b>	134	132	134
<b>Color Accuracy (CRI)</b>	84	82	84

*This data is based on photometric test report at 120-277V.*

### UL Listing:

Suitable for damp locations

### LEDs:

Long-life, high-efficiency surface mount LEDs

### Lifespan:

100,000-hour LED lifespan based on IES LM-80 results and TM-21 calculations

### Drivers:

Constant current, Class 2, 120-277V and 480V, 50/60 Hz, 4kV surge protection

**400W:** 3.34A @ 120V, 2.01A @ 208V, 1.74A @ 240V, 1.47A @ 277V, 0.86A @ 480V

**225W:** 1.68A @ 120V, 1.02A @ 208V, 0.88A @ 240V, 0.74A @ 277V, 0.44A @ 480V

**185W:** 1.37A @ 120V, 0.81A @ 208V, 0.71A @ 240V, 0.60A @ 277V, 0.37A @ 480V

**150W:** 1.12A @ 120V, 0.70A @ 208V, 0.60A @ 240V, 0.51A @ 277V, 0.30A @ 480V

**95W:** 0.77A @ 120V, 0.48A @ 208V, 0.42A @ 240V, 0.35A @ 277V, 0.21A @ 480V

### Dimming:

0-10V dimming, standard

### Bi-Level Control:

3 settings: 25%, 50% or 75% (optional)

### Ambient Temperature:

#### RAIL 400W

- Suitable for 24/7 use in ambient temperatures up to 45° C and 12/6 use in ambient temperatures up to 55° C.

#### RAIL 225W

- 120-277V models are suitable for 24/7 use in ambient temperatures up to 40° C and 12/6 use in ambient temperatures up to 55° C.

- 480V models are suitable for 24/7 use in ambient temperatures up to 50° C and 12/6 use in ambient temperatures up to 60° C.

#### RAIL 185W

- Suitable for 24/7 use in ambient temperatures up to 50° C and 12/6 use in ambient temperatures up to 60° C.

#### RAIL 150W

- Suitable for 24/7 use in ambient temperatures up to 55°C and 12/6 use in ambient temperatures up to 60° C.

### RAIL 95W

- Suitable for 24/7 use in ambient temperatures up to 50° C and 12/6 use in ambient temperatures up to 60° C.

### Thermal Management:

Superior thermal management with external Air-Flow fins

### Housing:

Extruded aluminum

### Mounting:

V hooks (chain by others), or backbox for pendant/surface mount (stem by others). 400W requires two pendant surface boxes.

### Lens:

High-transmittance polystyrene

### Reflector:

Specular, high-reflectance aluminum with 95% reflectivity

### Color Stability:

LED color temperature is warranted to shift no more than 200K in CCT over a 5 year period.

### Color Uniformity:

RAB's range of CCT (Correlated Color Temperature) follows the guidelines of the American National Standard for Specifications for the Chromaticity of Solid State Lighting (SSL) Products, ANSI C78.377-2017.

### Finish:

Our environmentally friendly polyester powder coatings are formulated for high-durability and long-lasting color, and contain no VOC or toxic heavy metals.

### Green Technology:

Mercury and UV free. RoHS-compliant components.

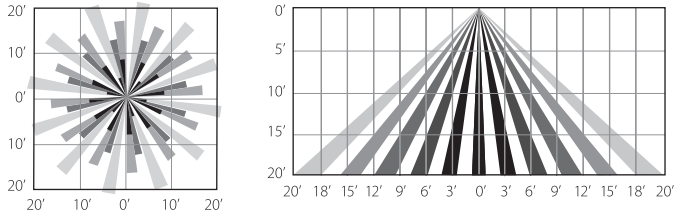
### IESNA LM-79 & LM-80 Testing:

RAB LED luminaires have been tested by an independent laboratory in accordance with IESNA LM-79 and LM-80, and have received the Department of Energy "Lighting Facts" label.

# Photo/motion sensor detection coverage

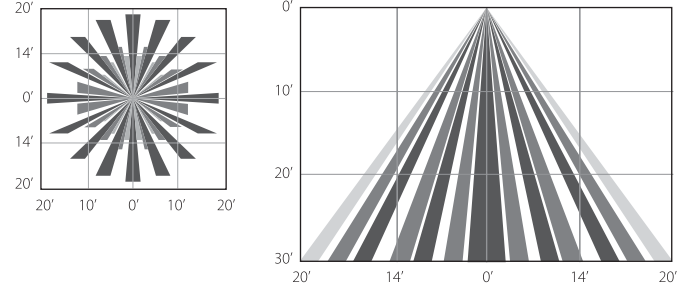
## WS2 (20 ft. Mounting Height)

40 ft. diameter coverage



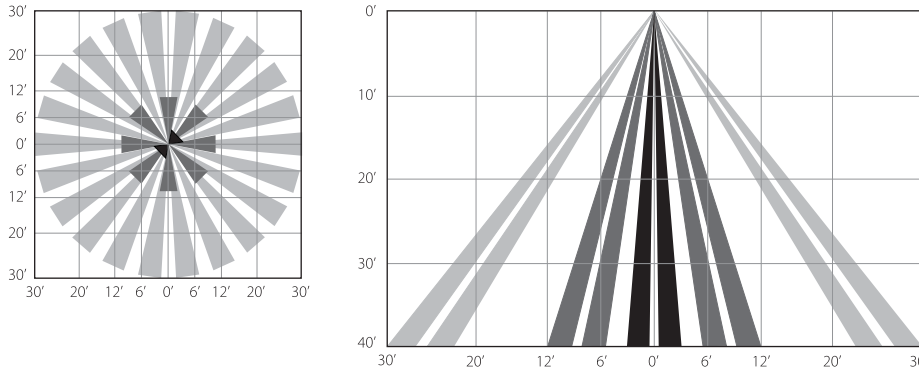
## LCS (30 ft. Mounting Height)

40 ft. diameter coverage



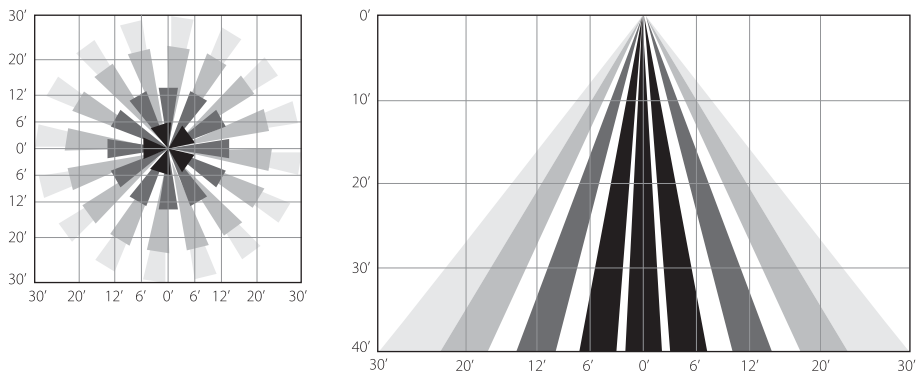
## WS4 (40 ft. Mounting Height)

60 ft. diameter coverage



## LOS (40 ft. Mounting Height)

60 ft. diameter coverage



## Sensor accessory (ordered separately)



### Adjust settings for multi-level motion sensor models /WS2 and /WS4 using a handheld wireless configuration tool (catalog #WSREM)

- High/low modes fully adjustable from 0 to 10V
- Time delay dims light 30 seconds to 30 minutes after detecting motion
- Optional cutoff delay turns fixture off after a preset period of vacancy
- Configure control settings to react to ambient light levels
- Ramp up and fade down times can be customized

## Ordering information

Product Family	Wattage	Color Temp.	Finish	Driver Options	Control Options*
RAIL	400	Blank	W	/D10	Blank
RAILP	225	N	White	/480/D10	/BL
	185	YN			/WS2
	150				/WS4
	95				/LOS
					/LC
					/LCS
					/E2
					/LC/E2

\*Controls, sensors and emergency backup only available for models with 120-277V driver.

\*\* Optimal detection performance rated for the following mounting heights: /WS2-20 ft, /LCS-45 ft, /WS4-40 ft and /LOS - 40ft.

Mounting above this height may compromise detection reliability. WS2 is available for 95W to 400W. WS4 is available for 150W to 400W.

\*\*\* Not available for 400W models

† Not available for 95W models.

‡ LOSBAY 800 Sensor is for 120V or 277V use only.

No control  
Bi-level Control  
Multi-Level Motion Sensor (20 ft)\*\*  
Multi-Level Motion Sensor (40 ft)\*\*†  
LOS BAY 800 Sensor\*\*‡  
Lightcloud® Controller  
Lightcloud® High Bay Sensor\*\*  
Emergency Battery Backup  
Lightcloud® Controller with  
Emergency Battery Backup\*\*\*