



8.5W BR30  
E26 Base

## Contractor Grade BR30 Lamps 65W 6 Packs, Dimmable



PROJECT: \_\_\_\_\_

DATE: \_\_\_\_\_

TYPE: \_\_\_\_\_

PREPARED BY: \_\_\_\_\_



### KEY FEATURES

- **Energy-efficient** replacement for **incandescent and halogen** reflector lamps
- Constructed from **durable plastic** which lowers risk of breakage
- Rated for use in **enclosed and open** fixtures in **dry or damp** locations
- **Frosted lens** produces smooth, diffuse light
- **Longer lifespan** compared to legacy equivalents minimizes replacement and maintenance costs
- **UL Listed**
- **Dimmable** with common dimmer types (check compatibility list)
- **Contractor 6 Pack**

### PERFORMANCE

Catalog Number	Equivalency	Input Wattage	Lumens	Efficacy lm/W	Color Temperature	CRI	L70 Lifespan	Energy Star ID
BR30-8.5-830-DIM ECO 6PK	65W Incandescent	8.5W	650	76	3000K	80	15,000	2367400
BR30-8.5-850-DIM ECO 6PK		8.5W	650	80	5000K	80		2367401

### TECHNICAL SPECIFICATIONS

#### CONSTRUCTION

<b>Product Type</b> Reflector	<b>Lens Finish</b> Frosted
<b>Bulb Shape</b> BR30	<b>Bulb Type</b> E26
<b>Enclosure Material</b> Plastic	<b>Beam Angle</b> 120°
<b>Enclosure Finish</b> White	

#### COMPLIANCE

- Safety Listing**  
UL Listed
- ENERGY STAR® Compliance**  
Yes, ENERGY STAR® Compliant
- Environment/Fixture Rating**  
Damp/Open
- FCC**  
Complies with Part 15 of the FCC Rules.
- RoHS**  
Mercury and UV free. RoHS-compliant components.

#### ELECTRICAL

- Power Factor**  
>0.9
- Input Voltage**  
120V
- Operating Frequency**  
60Hz
- Operating Temperature**  
-20°C to 45°C
- Note**  
All values are typical (tolerance +/- 10%)

#### OTHER

- Warranty**  
The RAB 3-year, limited warranty covers light output, driver performance and paint finish.  
RAB's warranty is subject to all terms and conditions found at [rablighting.com/warranty](http://rablighting.com/warranty).

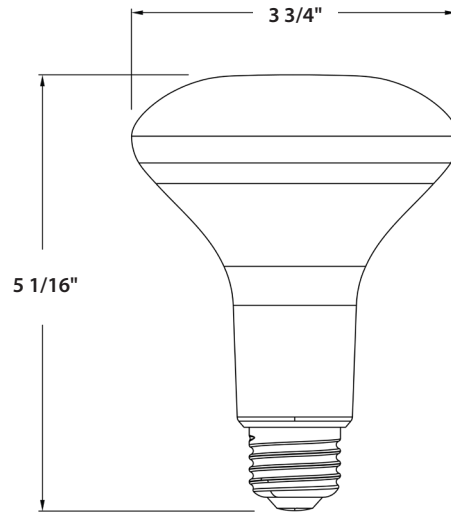
# Reflector Contractor Series



## DIMENSIONS

BR30 8.5W ECO 6PK

Weight: 1.49 lbs



## ORDERING INFO

Catalog Number	Model Number (DLC/Energy Star)	UPC	Case Pack
BR30-8.5-830-DIM ECO 6PK	A10046(BR30-8.5-830-DIM ECO 6PK)	019813700564	24
BR30-8.5-850-DIM ECO 6PK	A10047(BR30-8.5-850-DIM ECO 6PK)	019813700571	24

## ORDERING MATRIX

Family	Wattage	CRI/Color Temp	Dimming	Classification	Packaging
BR30	-	-	-	-	-
	8.5	830	DIM	ECO	6PK
	8.5W / 65W EQ	80 CRI, 3000K 80 CRI, 5000K	Dimmable	Economical	6-Pack