

# SWISH® FA ISLAND



PROJECT: \_\_\_\_\_

DATE: \_\_\_\_\_

TYPE: \_\_\_\_\_

PREPARED BY: \_\_\_\_\_



## SWISH Island Center Basket - Field Adjustable



## TECHNICAL SPECIFICATIONS

### FIELD ADJUSTABILITY

#### Field Adjustable:

2'x2': 19W/29W/39W (factory default 29W)

2'x4': 29W/39W/49W (factory default: 39W)

Color temperature: Selectable by 3500K and 4000K (factory default 4000K)

### ELECTRICAL

#### Drivers:

Class 2, Constant Current, 120-277V, 50/60Hz

19W: 120V: 0.16A, 208V: 0.10A, 240V: 0.08A, 277V: 0.07A

29W: 120V: 0.25A, 208V: 0.14A, 240V: 0.12A, 277V: 0.11A

39W: 120V: 0.33A, 208V: 0.19A, 240V: 0.17A, 277V: 0.14A

49W: 120V: 0.41A, 208V: 0.24A, 240V: 0.21A, 277V: 0.18A

#### Dimming Driver:

Driver includes dimming control wiring for 0-10V dimming systems. Requires separate 0-10V DC dimming circuit. Dims down to 10%

#### THD:

2'x2' : 2.49% at 120V, 4.56% at 277V

2'x4' : 2.93% at 120V, 5.63% at 277V

#### Power Factor:

2'x2' : 99.8% at 120V, 94.75% at 277V

2'x4' : 99.69% at 120V, 95.2% at 277V

#### Battery Backup:

Battery backup will operate the LED Lamp for 90 minutes if power falls. Wired for 120-277V.

#### Battery Backup Light Loss Factor:

2'x2' :

19W: 0.50

29W: 0.33

39W: 0.26

2'x4' :

29W: 0.67

39W: 0.50

49W: 0.42

### CONSTRUCTION

#### Cold Weather Stating

Minimum starting temperature is -20°C (-4°F)

#### Maximum Ambient Temperature

Suitable for use in up to 40°C (104°F)

#### Mounting

Recessed into T-grid ceiling. Surface and recessed mounting kits for drywall ceilings, sold separately

#### Lens

Frosted Polystyrene

#### Housing / Finish

Sheet metal and extruded aluminum / White

#### Green Technology

Mercury and UV free. RoHS-compliant components

#### Reflector:

Aluminum with high reflectance white finish, optimized for uniform distribution

#### Finish

Formulated for high durability and long lasting color

### LED CHARACTERISTICS

#### LEDs

Long-life, high-efficacy, discrete, surface-mount LEDs

#### Color Stability

LED color temperature is warrantied to shift no more than 200K in color temperature over a 5-year period

### COMPLIANCE

#### UL Listed

Suitable for dry and damp locations

### PERFORMANCE

#### Lifespan

100,000-hour LED lifespan based on IES LM-80 results and TM-21 calculations

# SWISH<sup>®</sup> FA ISLAND

## TECHNICAL SPECIFICATIONS

### MICROWAVE OCCUPANCY SENSOR (OPTIONAL)

**Capacity Load:** 400VA at 120VAC, 800VA at 230VAC, 1000VA at 277VAC

**Operating Temperature:** -20°C to +60°C (-4°F to +140°F)

**Relay:** Zero-cross relay

**Maximum Mounting Height:** 16.4 feet

**Customizable Detection Area:** 10, 50, 75 or 100%

**Time Delay:** 5s, 30s, 1min, 10min, 20min, 30min

**Cut-Off Period:** 0s, 10s, 1min, 5min, 10min, 30min, 1hr, Bi-Level

**Cut-Off Dimming level:** 10, 20, 30, 50%

**Cut-Off Power:** Less than 1W

**Daylight Threshold:** About 25 fc for disabled

**Sensor Principle:** High Frequency

**Microwave Frequency:** 5.8GHz +/- 75MHz

**Microwave Power:** <0.2mW

**Max Detection Range:** 26 ft. diameter at 16 ft. mounting height

**Detection Angle:** About 30 to 150 degree

**Remote Control:** Adjust settings using remote control (catalog# MVSREM). Only available with 0-10V dimming driver options. Remote control available [here](#).

### LIGHTCLOUD CONTROLLER (OPTIONAL)

Integrated/embedded networked lighting control, luminaire-level lighting control. Fixture, Zone, and plug-load control from one powerful device, LLLC-capable of switching, 0-10V dimming, power/energy monitoring. Can also be used to extend the range of the Lightcloud mesh network communication protocols. Offers the capability to set the maximum light output to a less-than-maximum state of an individual luminaire at the time of installation or commissioning. The High-End trim functionality is field reconfigurable via the Lightcloud mesh network communication protocols. The Lightcloud controller can be attached to the fixture, junction box, or electrical panel.

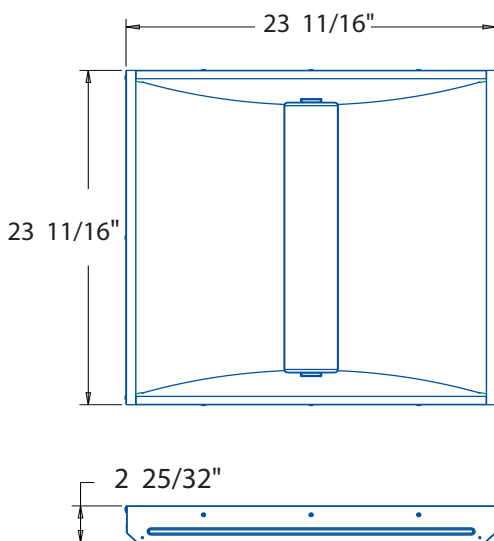
DLC system - N1XMLOEATBA

### WARRANTY

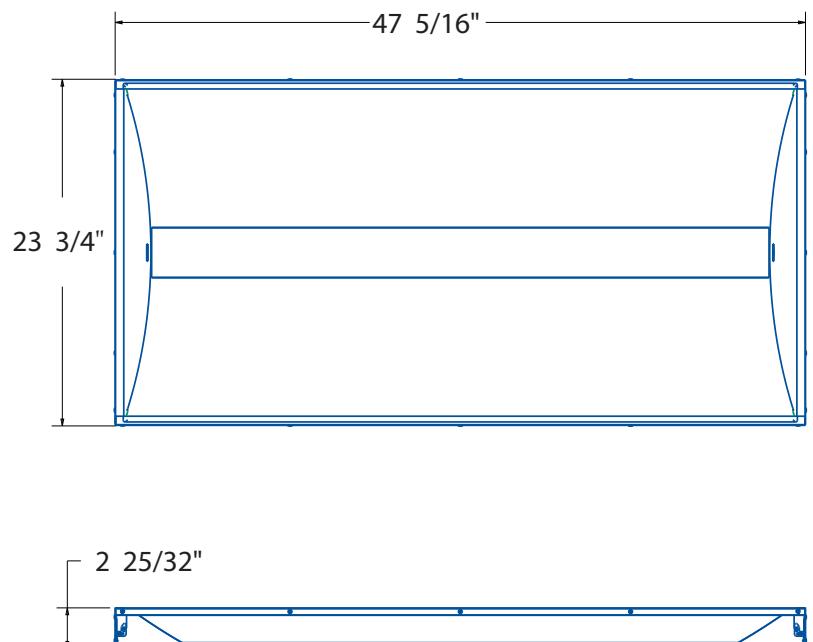
RAB warrants that our LED products will be free from defects in materials and workmanship for a period of five (5) years from the date of delivery to the end user, including coverage of light output, color stability, driver performance and fixture finish. RAB's warranty is subject to all terms and conditions found at [rablighting.com/warranty](http://rablighting.com/warranty).

## DIMENSIONS

Model: 2'X2'  
Weight: 9.9 Lb



Model: 2'X4'  
Weight: 15.2 Lb



# SWISH® FA ISLAND

## PERFORMANCE

SWISH FA ISLAND2X2 19W	3500K	4000K
LUMENS	2274	2274
INPUT WATTS	18.1	18
LM/W	123.1	126.1
CRI	84	84

SWISH FA ISLAND2X2 29W	3500K	4000K
LUMENS	3373	3446
INPUT WATTS	27.9	27.8
LM/W	120.9	123.8
CRI	83	83

SWISH FA ISLAND2X2 39W	3500K	4000K
LUMENS	4303	4408
INPUT WATTS	36.9	36.9
LM/W	116.5	119.4
CRI	83	83

SWISH FA ISLAND2X4 29W	3500K	4000K
LUMENS	3537	3579
INPUT WATTS	28.7	28.5
LM/W	123.4	125.5
CRI	83	83

SWISH FA ISLAND2X4 39W	3500K	4000K
LUMENS	4623	4699
INPUT WATTS	38.5	38.3
LM/W	120.1	122.6
CRI	83	83

SWISH FA ISLAND2X4 49W	3500K	4000K
LUMENS	5484	5561
INPUT WATTS	47.1	46.8
LM/W	116.5	118.8
CRI	83	83

## ORDERING MATRIX

### SWISHFA-ISLAND

Family	Housing Size	Options
SWISHFA-ISLAND	<div style="border: 1px solid black; width: 80px; height: 20px; margin-bottom: 5px;"></div> 2X2 = 2' x 2' <div style="border: 1px solid black; width: 80px; height: 20px; margin-bottom: 5px;"></div> 2X4 = 2' x 4'	"blank" = No Option /MVS = Microwave Sensor 120-277Vac /LC = Lightcloud Controller (factory installed) /LCS = Lightcloud Motion Sensor /E = Emergency Battery 120-277Vac input /MVS/E = Microwave Sensor with Emergency Battery 120-277Vac /MVS/LC = Microwave Sensor with Lightcloud Controller /MVS/LCS = Microwave Sensor with Lightcloud Motion Sensor

### Field Adjustable (CCT & Input Watts)

SWISHFA-ISLAND2X2 = Adjustable Watt: 19W/29W/39W (29W is factory default)  
 CCT: 3500K/4000K (4000K Factory default)

SWISHFA-ISLAND2X4 = Adjustable Watt: 29W/39W/49W (39W is factory default)  
 CCT: 3500K/4000K (4000K Factory default)

### Accessories (to be ordered separately)

SMKPANEL1x4 = 1x4 surface mount kit  
 SMKPANEL2x2 = 2x2 surface mount kit  
 SMKPANEL2x4 = 2x4 surface mount kit  
 RMKPANEL1x4 = 1x4 recessed mount kit  
 RMKPANEL2x2 = 2x2 recessed mount kit  
 RMKPANEL2x4 = 2x4 recessed mount kit