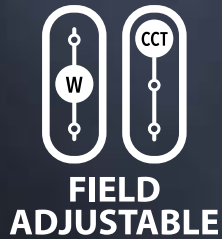


9 SKUs in one SWISH!

Selectable output and CCT in the field makes SWISH a slam dunk!

SWISH[®] FA



RAB[®] | Indoor

RABLIGHTING.COM • 888 722-1000

SWISH® FA



RAB's warranty is subject to all terms and conditions found at rablighting.com/warranty

- Field-adjustable light output (3 discrete steps)
- White tunable (3 discrete color temperatures)
- Can be changed before, during or after installation
- Battery backup option offered
- Available with Lightcloud® Controller
- 100,000-Hour LED lifespan

What you need, where you need it.

The SWISH FA is ideal for use in healthcare facilities, office spaces and classrooms, where lighting preferences vary from space to space.



Healthcare



Office



Classrooms



Stay in control

All models are available with factory-installed Lightcloud® controller for integration with our wireless lighting control system. A microwave sensor is also offered for both occupancy and daylight sensing.



The power is in your hands.

2x2 models can be set to 19W, 29W or 39W, and 2x4 models can be set to 29W, 39W or 49W. Both form factors have a selectable CCT of 3500K, 4000K, or 5000K.



See the difference.

Frosted polycarbonate lens with proprietary diffusion design provides a uniform distribution and reduces glare. Easy tool-less removal and installation for cleaning and maintenance.



Durable build.

Die-formed, 20-gauge, cold-rolled steel with high-reflectance (91%), powder-coated white finish. Flexible polycarbonate lens won't yellow or crack.



Wide distribution.

SWISH FA has a distribution pattern that allows for wide spacing and uniform lighting on the work plane.



Flexible installation options.

With kits available for surface or recessed mounting, SWISH FA can handle drywall ceilings as well as grids. IC rating allows for direct contact with ceiling insulation.



Stay in control

SWISH FA comes standard with a 0-10V dimming driver for complete control of your lighting scene.



CCEA compliant

Chicago Plenum (CCEA) compliant.

UL Listing

Suitable for dry and damp locations. IC rated for direct contact with thermal insulation.

CCEA Compliant

Luminaire Requirements used in Environmental Air Space per the electrical code specification of the City of Chicago.

LEDs

Long-life, high-efficacy, mid-power, surface-mount LEDs.

IESNA LM-79 & IESNA LM-80 Testing

RAB LED luminaires and LED components have been tested by an independent laboratory in accordance with IESNA LM-79 and LM-80.

Lifespan

100,000-hour LED lifespan based on IES LM-80 results and TM-21 calculations

Dimming

Driver includes control wiring for 0-10V dimming systems. Requires separate 0-10V DC dimming circuit. Dims as low as 10%.

Ambient Operating Temperature

-30°C (-22°F) to 40°C (104°F)

Lens

Frosted polycarbonate

Mounting

Recessed into T-grid ceiling. Surface and recessed mounting kits available for drywall ceilings

Housing

Die-formed, 20-gauge, cold-rolled steel

Reflector

Integral reflector (on the sides) with high reflectance finish, optimized for uniform distribution

Finish

Formulated for high durability and long-lasting color

Reflector:

Integral reflector (on the sides) with high reflectance finish, optimized for uniform distribution

Finish:

Formulated for high durability and long-lasting color

Green Technology:

Mercury and UV free. RoHS-compliant components

Warranty:

RAB warrants that our LED products will be free from defects in materials and workmanship for a period of five (5) years from the date of delivery to the end user, including coverage of light output, color to all terms and conditions found at rablighting.com/warranty

Driver

Constant Current, Class 2, 120-277V, 50/60 Hz

(2x2)

19W: 0.16A @ 120V; 0.10A @ 208V; 0.08A @ 240V; 0.07A @ 277V

29W: 0.25A @ 120V; 0.15A @ 208V; 0.13A @ 240V; 0.12A @ 277V

39W: 0.33A @ 120V; 0.20A @ 208V; 0.17A @ 240V; 0.15A @ 277V

(2x4)

29W: 0.22A @ 120V; 0.15A @ 208V; 0.13A @ 240V; 0.11A @ 277V

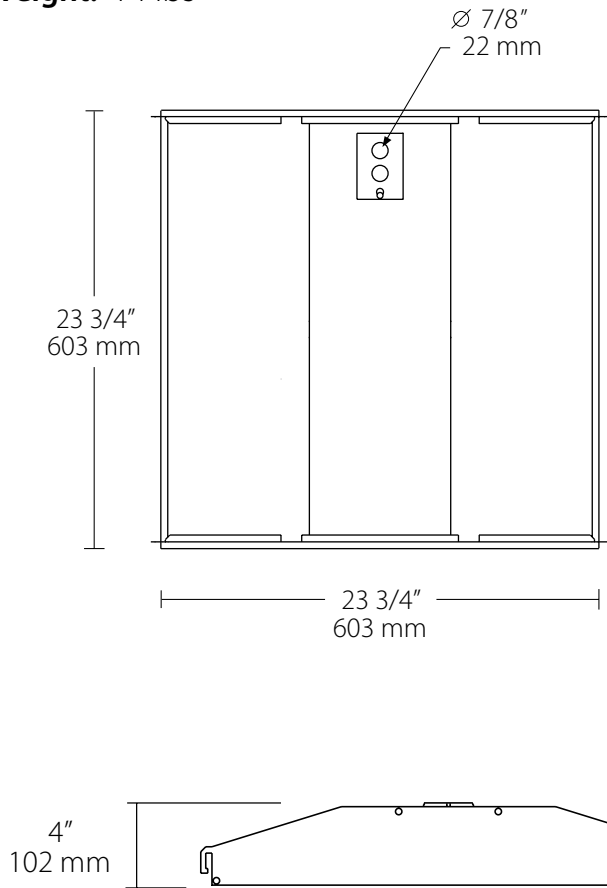
39W: 0.33A @ 120V; 0.20A @ 208V; 0.17A @ 240V; 0.15A @ 277V

49W: 0.39A @ 120V; 0.24A @ 208V; 0.21A @ 240V; 0.17A @ 277V

Dimensions

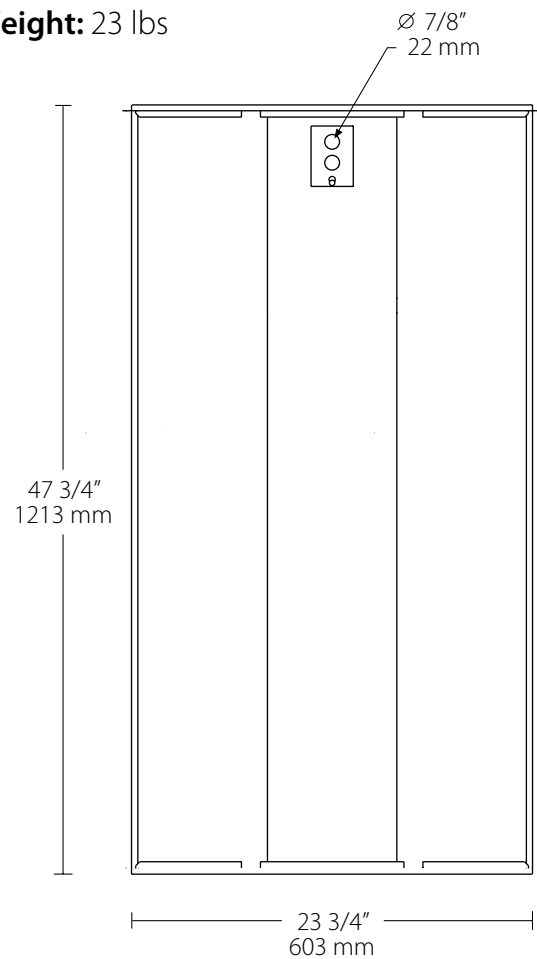
2x2

Weight: 14 lbs



2x4

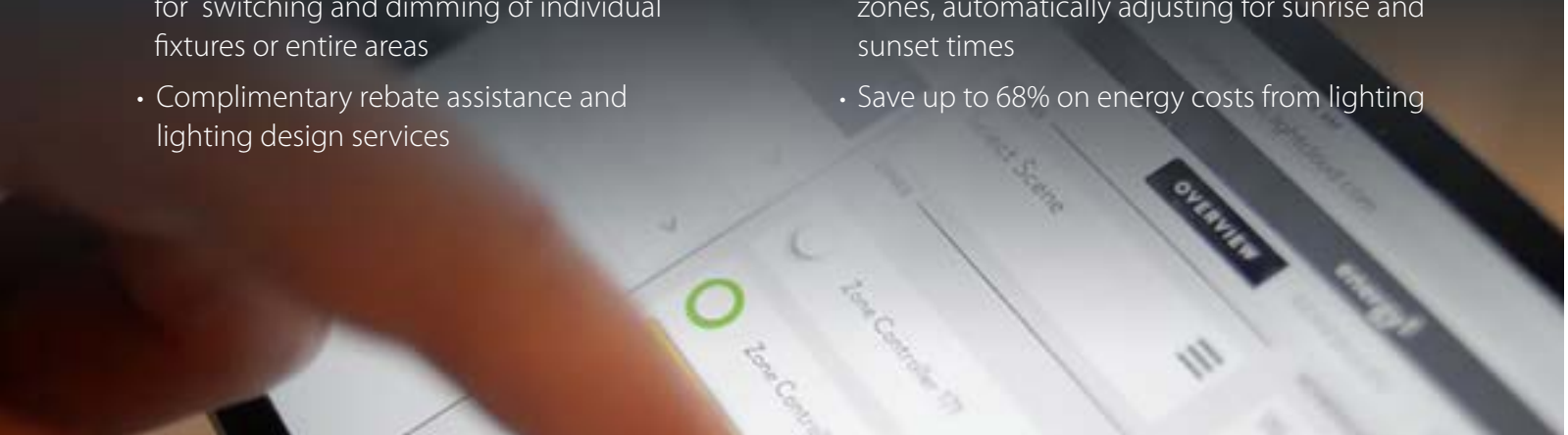
Weight: 23 lbs



Available with Lightcloud® controls.

Lightcloud is a commercial wireless lighting control system and service, fully developed and supported by RAB.

- Use your mobile device, tablet or computer for switching and dimming of individual fixtures or entire areas
- Complimentary rebate assistance and lighting design services
- Programmable schedules let you illuminate zones, automatically adjusting for sunrise and sunset times
- Save up to 68% on energy costs from lighting



Performance

2 x 2

	19W			29W			39W		
	3500K <i>Warm Neutral</i>	4000K <i>Neutral</i>	5000K <i>Cool</i>	3500K <i>Warm Neutral</i>	4000K <i>Neutral</i>	5000K <i>Cool</i>	3500K <i>Warm Neutral</i>	4000K <i>Neutral</i>	5000K <i>Cool</i>
Lumens	2432	2573	2529	3677	3954	3816	4463	4913	4691
Efficacy (lm/W)	129	139	134	123	136	128	116	133	122
Color Accuracy (CRI)	84	86	84	84	85	84	83	85	84

2 x 4

	29W			39W			50W		
	3500K <i>Warm Neutral</i>	4000K <i>Neutral</i>	5000K <i>Cool</i>	3500K <i>Warm Neutral</i>	4000K <i>Neutral</i>	5000K <i>Cool</i>	3500K <i>Warm Neutral</i>	4000K <i>Neutral</i>	5000K <i>Cool</i>
Lumens	3484	3677	3624	4875	5263	5072	5702	5882	5806
Efficacy (lm/W)	133	144	138	125	139	130	119	137	125
Color Accuracy (CRI)	84	85	84	84	85	84	83	85	84

Ordering Matrix

Product	Size	Voltage	Options
SWISHFA	2X2 2' X 2' 2X4 2' X 4'	/D10 0-10V dimming	Blank /LC /LCS /E2 /MVS No options Lightcloud Controller Lightcloud Sensor Battery Backup Occupancy Sensor

Product	Size
SMKPANEL Surface Mount Kit	2X2 2' X 2' 2X4 2' X 4'

Product	Size
RMKPANEL Recessed Mount Kit	2X2 2' X 2' 2X4 2' X 4'