



Omnidirectional, T-Shape HID Replacement Lamp, UL Type B

PROJECT: \_\_\_\_\_

DATE: \_\_\_\_\_

TYPE: \_\_\_\_\_

PREPARED BY: \_\_\_\_\_



### KEY FEATURES

- Can be used to replace traditional **HID or high output incandescent lamps**
- **Integral driver** enables lamp to be wired directly to line voltage without need for an external driver or ballast
- Rated for use in **enclosed and open fixtures in dry or damp** locations
- Lightweight design
- **Omnidirectional** light output
- **25,000-Hour** Lifespan
- Environmentally friendly, no mercury used
- **UL Recognized**
- **Non-dimmable**
- **2-Year, Limited Warranty**



IP LISTING



25,000 HOURS



NON-DIMMABLE



ENCLOSED FIXTURE RATED



DAMP RATED



FCC LISTED



RoHS

## PERFORMANCE

Catalog Number	Equivalency	Input Wattage	Lumen	Efficacy	Color Temperature	CRI	L70 Lifespan
HID-26-E26-850-BYP-TS	50W HID	26W	3450	133	5000K	80	25,000

## TECHNICAL SPECIFICATIONS

### CONSTRUCTION

**Product Type**  
HID

**Bulb Shape**  
T-Shape

**Enclosure Material**  
Plastic

**Endcap Finish**  
White

**Base Type**  
E26

**Beam Angle**  
180°

### ELECTRICAL

**Power Factor**  
>0.9

**Input Voltage**  
120-277V

**Operating Frequency**  
60Hz

**Operating Temperature**  
-20°C to 40°C

**Note**

All values are typical (tolerance +/- 10%)

### INSTALLATION

**Installation Method**  
UL Type B, Ballast Bypass

**Burning Position**  
Universal

## TECHNICAL SPECIFICATIONS (CONT.)

### COMPLIANCE

**Safety Listing**

UL Recognized

**Environment/Fixture Rating**

Damp / Enclosed

**IP Rating**

IP64

**FCC**

Complies with Part 15 of the FCC Rules.

**RoHS**

Mercury and UV free. RoHS-compliant components.

### OTHER

**Warranty**

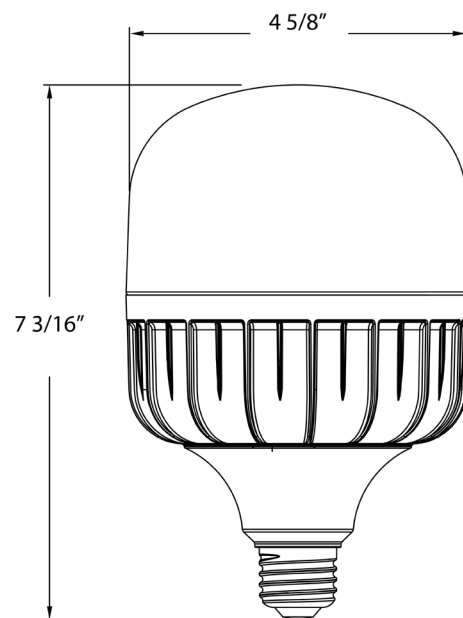
RAB 2-year, limited warranty covers light output, driver performance and paint finish. RAB's warranty is subject to all terms and conditions found at [rablighting.com/warranty](http://rablighting.com/warranty).

RAB's warranty is subject to all terms and conditions found at [rablighting.com/warranty](http://rablighting.com/warranty).

## DIMENSIONS

HID-TS 26W

Weight: 0.8 lb



## ORDERING INFO

Catalog Number	Model Number (DLC/Energy Star)	UPC	Case Pack
HID-26-E26-850-BYP-TS	H10043(HID-26-E26-850-BYP-TS)	019813700656	12

## ORDERING MATRIX

Family	Wattage	Base Type	CRI/Color Temp	Installation Type	Bulb Shape
HID	- 26	- E26	- 850	- BYP	- TS
	26 26W	E26 E26 Base	850 80 CRI, 5000K	BYP Ballast Bypass	TS T-Shape