



All the benefits of a panel  
without all the cost.

Tight budget? No problem. T34 is here to save the day!

T34<sup>TM</sup>



**RAB**<sup>®</sup>

RABLIGHTING.COM • 888 722-1000

# T34™ LED Panel



RAB's warranty is subject to all terms and conditions found at [rablighting.com/warranty](http://rablighting.com/warranty)

- Available in 2 sizes: 2x2 (20W, 30W, 40W) and 2x4 (30W, 40W, 50W)
- 0-10V dimmable driver, standard
- IC rated and Chicago Plenum (CCEA) compliant
- Lightcloud-enabled models offered
- 50,000-Hour LED lifespan
- Multiple-unit cartons reduce on-site waste

## Tight spaces? No problem.

The T34's low-profile design is IC rated for direct contact with ceiling insulation, and is also Chicago Plenum (CCEA) compliant. Integral earthquake clips secure the panel to T-bars and won't get lost during installation.



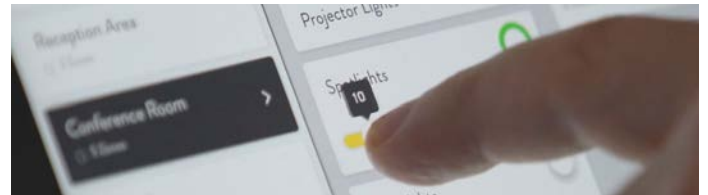
## Seeing is believing.

A frosted, polystyrene lens diffuses light, making the T34 ideal for areas that require uniform, glare-free distribution. The standard 0-10V dimmable driver allows for dialed-in control over your light output.



## Simple, powerful lighting control.

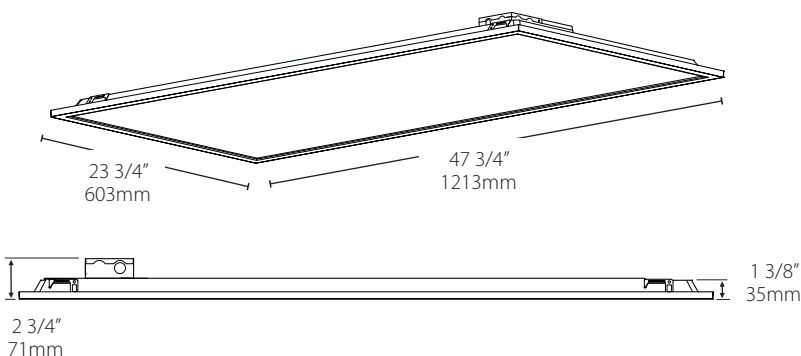
All models are available with factory-installed Lightcloud® integration, for use with our commercial, wireless lighting control system and service.



## Dimensions & weights

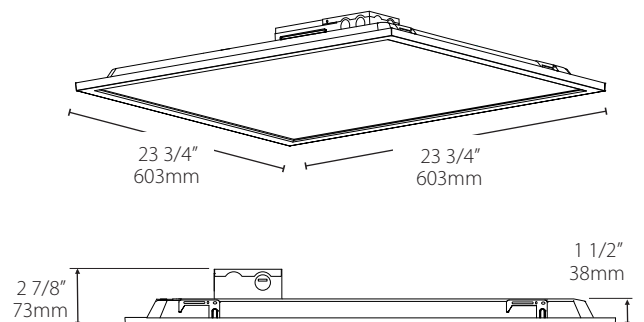
### 2x4 (30W, 40W, 50W)

Weight: 8.95lbs.



### 2x2 (20W, 30W, 40W)

Weight: 5.19 lbs.



## Performance

2x2	20W			30W			40W		
	5000K	4000K	3500K	5000K	4000K	3500K	5000K	4000K	3500K
<b>Input Watts</b>	22	22	21	27	28	27	42	38	41
<b>Lumens</b>	2,856	2,452	2,379	3,550	3,284	3,186	5,258	4,457	4,705
<b>Efficacy (lm/W)</b>	133	113	114	131	118	119	116	117	116
<b>Color Accuracy (CRI)</b>	81	80	82	81	80	81	81	81	81

2x4	30W			40W			50W		
	5000K	4000K	3500K	5000K	4000K	3500K	5000K	4000K	3500K
<b>Input Watts</b>	28	32	29	39	40	37	48	49	49
<b>Lumens</b>	3,740	3,730	3,361	5,149	4,472	4,030	6,044	5,393	5,666
<b>Efficacy (lm/W)</b>	133	118	115	134	113	110	126	111	116
<b>Color Accuracy (CRI)</b>	81	80	82	81	80	82	81	81	81

Performance data is based on test performed at 120V.

## Specifications

### UL Listing:

Suitable for damp locations

### LEDs:

Long-life, surface-mounted, discreet LEDs

### Lifespan:

50,000-hour LED lifespan based on IES LM-80 results and TM-21 calculations

### Drivers:

Class 2, Constant Current, 50/60Hz, 120-277V, 2kV surge protection

### Dimming:

0-10V dimmable driver, standard (down to 10%)

### Ambient Temperature:

Suitable for use in -20°C (-4°F) to 40°C (104°F)

### Housing:

Plastic frame & galvanized steel back housing

### Mounting:

For drop ceilings, standard integral clips secure the fixture to t-bars and prevent t-system separation. Compatible with RMKPANEL for other recessed applications and SMKPANEL for surface applications.

### Lens:

Frosted Polystyrene

### Green Technology:

Mercury and UV free. RoHS-compliant components.

## Ordering Information

\*Must order in case quantity increments. See product spec sheet for exact increments.

Product	Size	Wattage	Color Temp	Voltage	Lighting Controls
T34	2x4 2ft x 4ft 2x2 2ft x 2ft	50 50W (2x4) 40 40W (2x4, 2x2) 30 30W (2x4, 2x2) 20 20W (2x2)	Blank 5000K N 4000K YN 3500K	/D10 120-277Vac	Blank No options /LC Lightcloud

For the latest product literature,  
download the rabdrive app

Get the app



Follow us



**RAB**<sup>®</sup>

Learn more:

[rablighting.com](http://rablighting.com) • [lightcloud.com](http://lightcloud.com)

RAB is continually improving our products. Specifications may change without notice.  
The designs of RAB fixtures are protected under U.S. and international intellectual property laws.