

PROJECT: \_\_\_\_\_

DATE: \_\_\_\_\_

TYPE: \_\_\_\_\_

PREPARED BY: \_\_\_\_\_



### KEY FEATURES

- **Impact resistant**, can handle demanding construction site environments
- Omnidirectional light distribution
- Lightweight design with high output
- **6FT US cord+plug, linkable up to 600W Max**
- **IP64** water and dust resistant
- **6kV** surge protection built in
- **50,000-Hour** lifespan
- 120V
- Dimmable
- **5-Year, No-Compromise Warranty**

## LED Temporary Work Light



### PERFORMANCE

Catalog Number	Equivalency	Input Wattage	Lumen	Efficacy	Color Temperature	CRI	L70 Lifespan
TEMP-60-850	250W HID	60W	7200	110	5000K	80	50,000
TEMP-100-850	400W HID	100W	12000	110	5000K	80	50,000
TEMP-150-850	600W HID	150W	18000	110	5000K	80	50,000

### TECHNICAL SPECIFICATIONS

#### CONSTRUCTION

**Product Type**  
HID

**Bulb Shape**  
Temporary Work Light

**Enclosure Material**  
Polycarbonate

**Enclosure Finish**  
Construction Orange

**Base Type**  
US Plug, 6ft cord

**Beam Angle**  
360°

#### ELECTRICAL

**THD**  
<20%

**Power Factor**  
>0.9

**Input Voltage**  
120V

**Operating Frequency**  
60Hz

**Operating Temperature**  
-30°C to 60°C

**Note**  
All values are typical (tolerance +/- 10%)

#### INSTALLATION METHOD

6ft US 18AWG gauge cord and 3 prong plug

## TECHNICAL SPECIFICATIONS (CONT.)

### COMPLIANCE

**Safety Listing**

UL listed

**Environment/Fixture Rating**

Damp / Open

**FCC**

Complies with Part 15 of the FCC Rules.

**RoHS**

Mercury and UV free. RoHS-compliant components.

**IP Rating**

IP64

### OTHER

**Warranty**

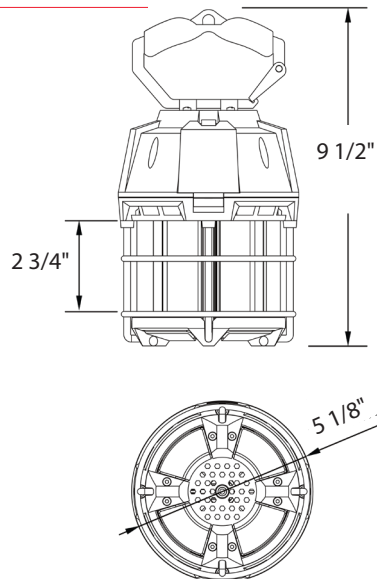
RAB warrants that our LED products will be free from defects in materials and workmanship for a period of five (5) years from the date of delivery to the end user, including coverage of light output, color stability, driver performance and fixture finish.

RAB's warranty is subject to all terms and conditions found at [rablighting.com/warranty](http://rablighting.com/warranty).

### DIMENSIONS

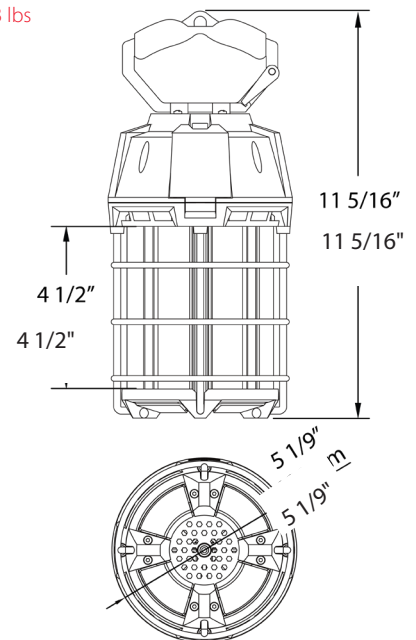
**TEMP 60W**

Weight: 2.8 lbs



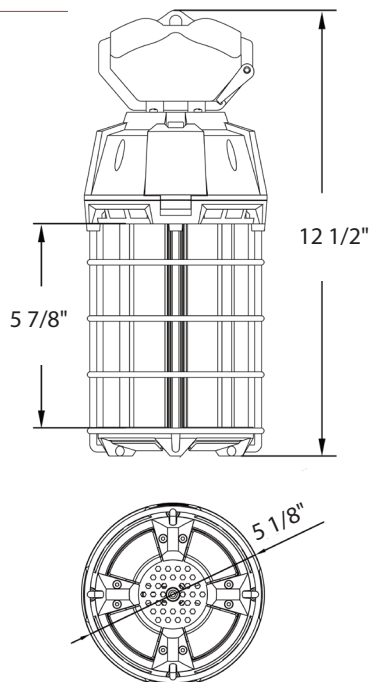
**TEMP 100W**

Weight: 4.3 lbs



**TEMP 150W**

Weight: 3.7 lbs



## ORDERING INFO

Catalog Number	Model Number (DLC/Energy Star)	UPC	Case Pack
TEMP-60-850	H10040(TEMP-60-850)	019813908434	4
TEMP-100-850	H10041(TEMP-100-850)	019813908441	4
TEMP-150-850	H10042(TEMP-150-850)	019813908458	4

## ORDERING MATRIX

Family	Wattage	CRI/Color Temp
TEMP	60 60W 100 100W 150 50W	850 80 CRI, 5000K