

INSTRUCTIONS

TK22™ FIELD-ADJUSTABLE TRACK LIGHTS INSTALLATION



RAB Lighting is committed to creating high-quality, affordable, well-designed and energy-efficient LED lighting and controls that make it easy for electricians to install and end users to save energy. We'd love to hear your comments. Please call the Marketing Department at 888-RAB-1000 or email: marketing@rablighting.com

**** DON'T TOSS IT—RECYCLE IT! MAKE THE SUSTAINABLE CHOICE BY RECYCLING THIS FIXTURE AT END OF LIFE WITH A LICENSED RECYCLING PROVIDER. ****



TK22S



TK22M



TK22L



TK22R

IMPORTANT

READ CAREFULLY BEFORE INSTALLING FIXTURE. RETAIN THESE INSTRUCTIONS FOR FUTURE REFERENCE.

RAB fixtures must be wired in accordance with the National Electrical Code and all applicable local codes. Proper grounding is required for safety. THIS PRODUCT MUST BE INSTALLED IN ACCORDANCE WITH THE APPLICABLE INSTALLATION CODE BY A PERSON FAMILIAR WITH THE CONSTRUCTION AND OPERATION OF THE PRODUCT AND THE HAZARDS INVOLVED.

WARNING:

Make certain power is OFF before installing or maintaining fixture. No user serviceable parts inside.

Fixture supports 120V TRIAC dimming.

For use with RAB TK Track System ONLY.

Do not install near a heat source or in a corrosive gas environment.

Not suitable for wet or damp locations.

RGB models must be wired to constant power (*hot feed*) for wireless control using Lightcloud Blue.

TK22 TRACK MOUNT INSTALLATION

1. Install the Track System onto the **Ceiling** as shown in Fig. 1. Refer to TK Track Instructions.
2. Connect wires as shown in wiring diagram (Fig. 15). Connect black to Line, white to Common, green to Ground. Use appropriate UL approved wire connectors as required by code to complete wiring. Be careful not to pinch wires.
Warning: to prevent wiring damage or abrasion, do not expose wiring to edges of sheet metal or other sharp objects.
3. Install the Fixture onto the **Track System**. Align the Fixture base onto the **Track System** and turn clockwise to lock into place (Fig. 2).
4. Manually adjust the Beam Angle as desired by rotating the fixture Ring, as shown in Fig. 3.

Fig.1

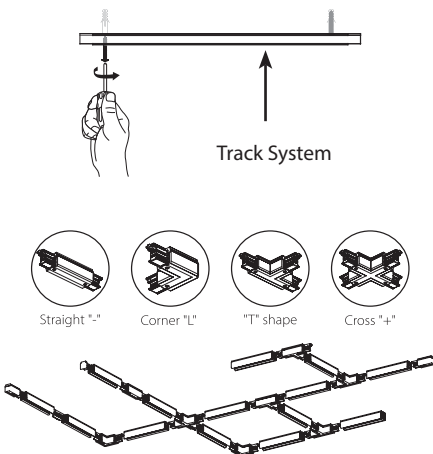


Fig. 2

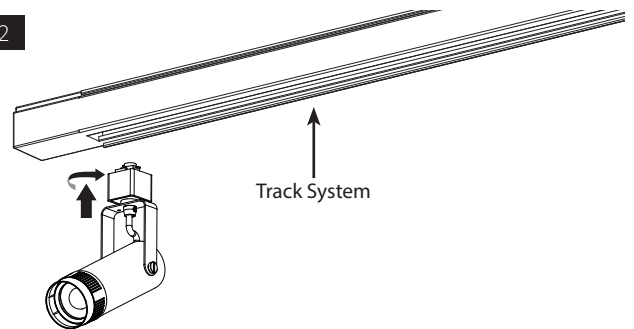
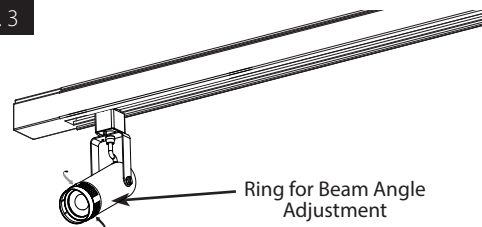


Fig. 3



INSTRUCTIONS

TK22™ FIELD-ADJUSTABLE TRACK LIGHTS INSTALLATION



RAB Lighting is committed to creating high-quality, affordable, well-designed and energy-efficient LED lighting and controls that make it easy for electricians to install and end users to save energy. We'd love to hear your comments. Please call the Marketing Department at 888-RAB-1000 or email: marketing@rablighting.com

**** DON'T TOSS IT—RECYCLE IT! MAKE THE SUSTAINABLE CHOICE BY RECYCLING THIS FIXTURE AT END OF LIFE WITH A LICENSED RECYCLING PROVIDER. ****

FIELD ADJUSTMENT (TK22)

Field adjustable models include on-board **Selector Switches** for **Color Temperature (CCT)** and **Power (W)**, Fig. 4. Select **Power (W)** and/or **Color Temperature (CCT)** by sliding the respective switch to the desired setting.

RGB color changing models are tunable using Lightcloud Blue.

Fig. 4

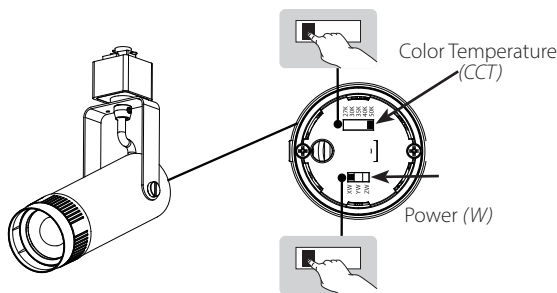


Fig. 5

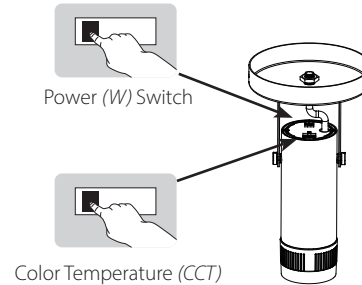


Fig. 6

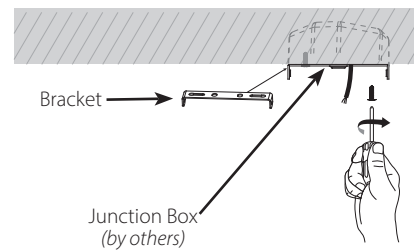


Fig. 7

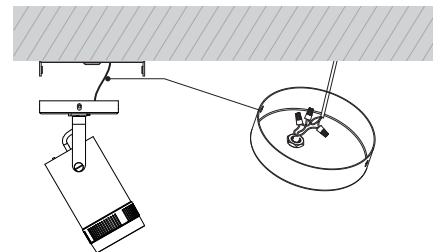


Fig. 8

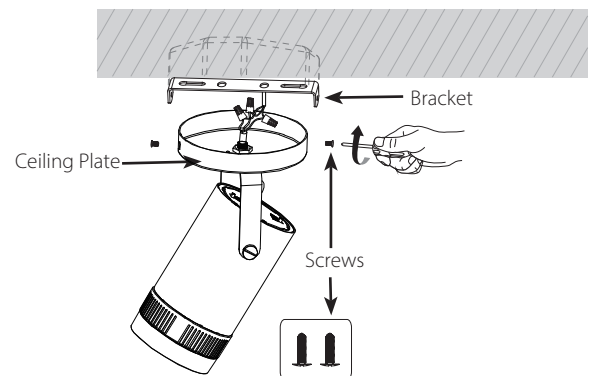


Fig. 9



CEILING MOUNT INSTALLATION (TK22)

1. Select **Color Temperature (CCT)** and/or **Power (W)**, Fig. 5 to desired setting.
2. Attach the **Bracket** to the **Junction Box (by others)** Fig. 6.
3. Connect wires as shown in wiring diagram (Fig.15). Connect black to Line, white to Common, green to Ground. Use appropriate UL listed wire connectors as required by code to complete wiring. Be careful not to pinch wires.

WARNING: To prevent wiring damage or abrasion, do not expose wiring to edges of sheet metal or other sharp objects.

4. Attach the **Ceiling Plate** to the **Bracket** and tighten Screws (2) as shown in Fig. 8.
5. Manually adjust the **Beam Angle** by rotating the fixture **Ring**, (Fig. 9).

INSTRUCTIONS

TK22™ FIELD-ADJUSTABLE TRACK LIGHTS INSTALLATION



RAB Lighting is committed to creating high-quality, affordable, well-designed and energy-efficient LED lighting and controls that make it easy for electricians to install and end users to save energy. We'd love to hear your comments. Please call the Marketing Department at 888-RAB-1000 or email: marketing@rablighting.com

**** DON'T TOSS IT—RECYCLE IT! MAKE THE SUSTAINABLE CHOICE BY RECYCLING THIS FIXTURE AT END OF LIFE WITH A LICENSED RECYCLING PROVIDER. ****

PENDANT MOUNT INSTALLATION (TKPS / TKPM)

1. Install the **Track System** onto the **Mounting Surface** (Fig. 10). Refer to **TK Track System** installation Instructions.
2. Select **Color Temperature (CCT)** and/or **Power (W)** (Fig. 11) to the desired setting.
Note: TKPS (Pendant Small) does not include any Selector Switches.
3. Install the Fixture onto the **Track System**. Align the Fixture base onto the **Track System** and turn clockwise to lock into place (Fig. 12).

Fig.10

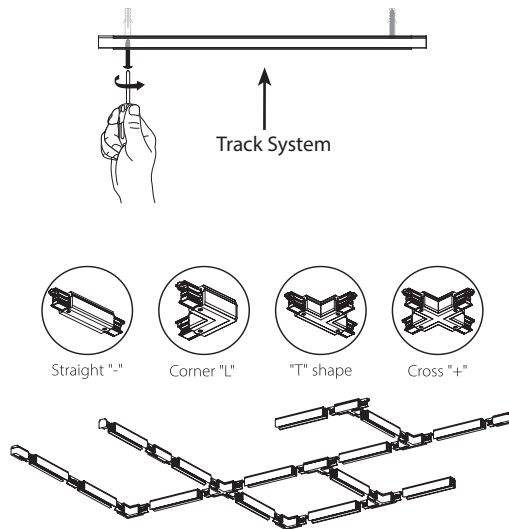


Fig. 12

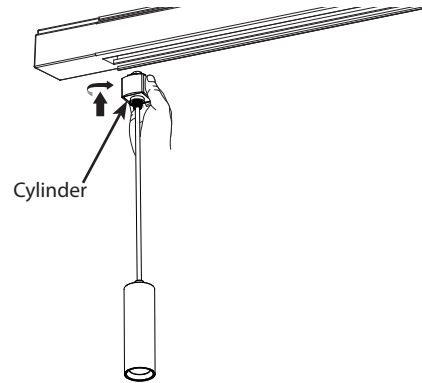
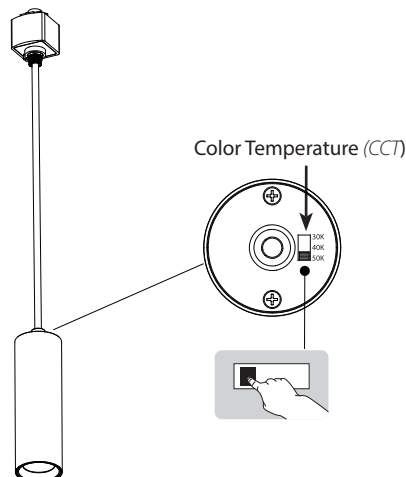


Fig. 11



INSTRUCTIONS

TK22™ FIELD-ADJUSTABLE TRACK LIGHTS INSTALLATION



RAB Lighting is committed to creating high-quality, affordable, well-designed and energy-efficient LED lighting and controls that make it easy for electricians to install and end users to save energy. We'd love to hear your comments. Please call the Marketing Department at 888-RAB-1000 or email: marketing@rablighting.com

**** DON'T TOSS IT—RECYCLE IT! MAKE THE SUSTAINABLE CHOICE BY RECYCLING THIS FIXTURE AT END OF LIFE WITH A LICENSED RECYCLING PROVIDER. ****

OPTICAL ACCESSORY INSTALLATION

1. Optic accessories (*sold separately*) can be installed on TK22 models (*Fig. 13*).
2. Secure the accessory with the **Holding Screw** (*Fig. 14*).

See product specification sheet for complete list of available

Fig. 13

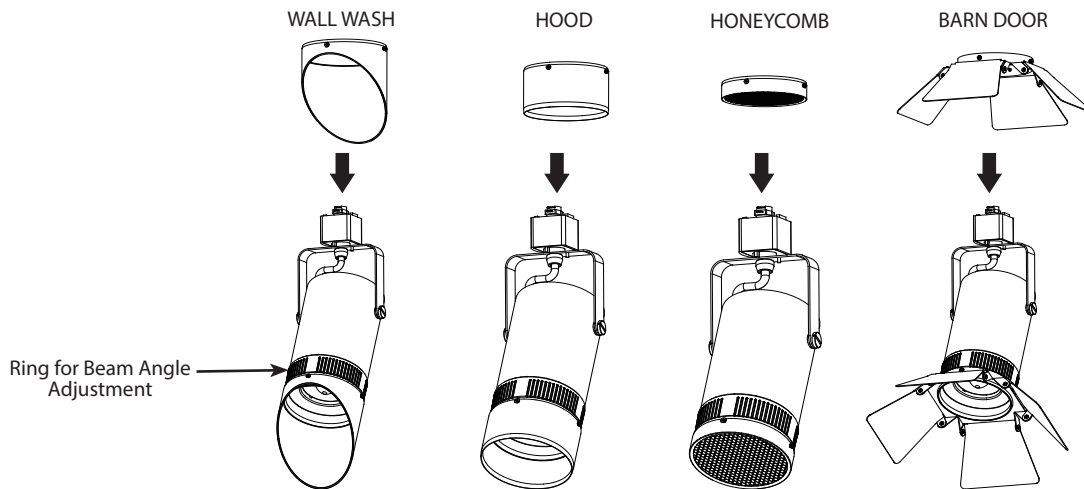
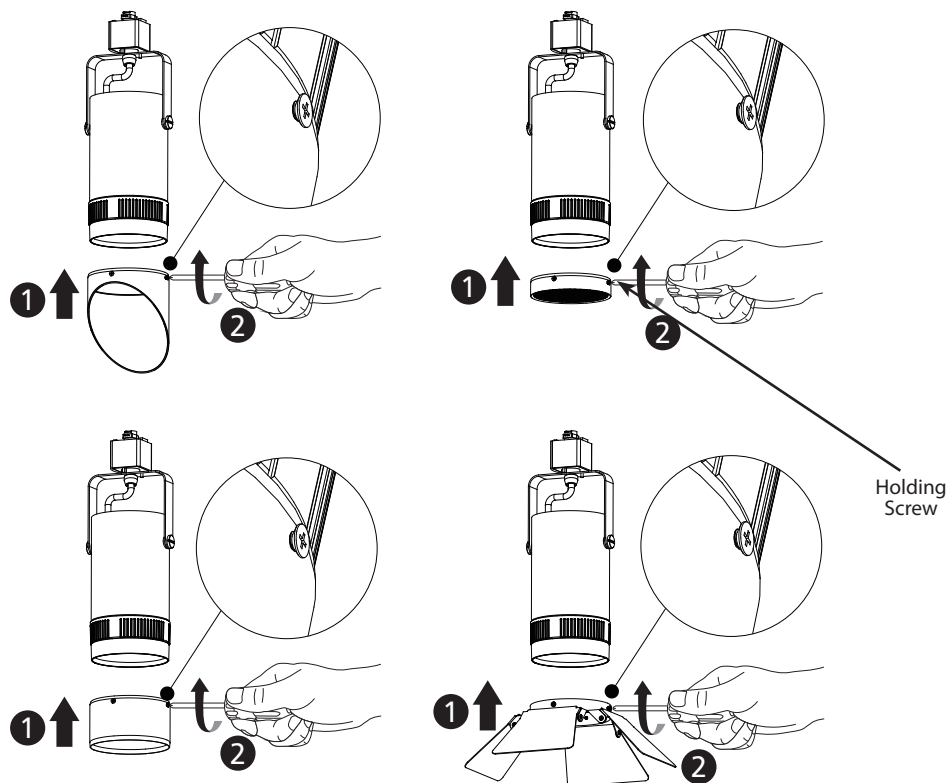


Fig. 14



INSTRUCTIONS

TK22™ FIELD-ADJUSTABLE TRACK LIGHTS INSTALLATION



RAB Lighting is committed to creating high-quality, affordable, well-designed and energy-efficient LED lighting and controls that make it easy for electricians to install and end users to save energy. We'd love to hear your comments. Please call the Marketing Department at 888-RAB-1000 or email: marketing@rablighting.com

**** DON'T TOSS IT—RECYCLE IT! MAKE THE SUSTAINABLE CHOICE BY RECYCLING THIS FIXTURE AT END OF LIFE WITH A LICENSED RECYCLING PROVIDER. ****

WIRING

Fixtures operate on 120V circuit and dimmable with TRIAC dimmer, see wiring diagram Fig. 15. Connect black to Line, white to Common, green to Ground.

RGB models must be wired to constant power (*hot feed*) for wireless control using Lightcloud Blue.

RGB models are NOT compatible with standard TRIAC dimmers.

Use appropriate UL listed wire connectors as required by code to

1. Connect the black fixture lead to the LINE supply lead. Be sure the fixture is grounded properly.
2. Connect the white fixture lead to the COMMON supply lead.
3. Connect the GROUND wire from fixture to supply ground.

WARNING: To prevent wiring damage or abrasion, do not expose wiring to edges of sheet metal or other sharp objects.

CLEANING & MAINTENANCE

CAUTION: Be sure fixture temperature is cool enough to touch. Do not clean or maintain while fixture is energized.

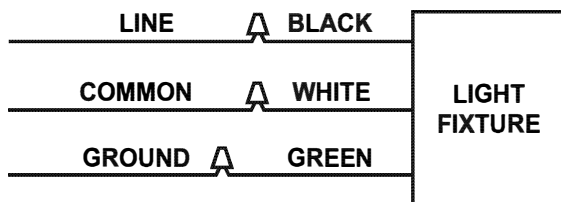
1. Lens can be washed only after removing from fixture and only in a solution of warm water and any mild, non-abrasive household detergent, rinsed with clean water and wiped dry. Do not use chemicals to clean Lens or fixture.
2. Do not open fixture to clean the LED. Do not touch the LED.

TROUBLESHOOTING

1. Check that the line voltage at the fixture is correct.
2. Be sure the fixture is grounded properly.

Note: These instructions do not cover all details or variations in equipment nor do they provide for every possible situation during installation, operation or maintenance.

Fig. 15



INSTRUCTIONS

TK22™ FIELD-ADJUSTABLE TRACK LIGHTS INSTALLATION



RAB Lighting is committed to creating high-quality, affordable, well-designed and energy-efficient LED lighting and controls that make it easy for electricians to install and end users to save energy. We'd love to hear your comments. Please call the Marketing Department at 888-RAB-1000 or email: marketing@rablighting.com

**** DON'T TOSS IT—RECYCLE IT! MAKE THE SUSTAINABLE CHOICE BY RECYCLING THIS FIXTURE AT END OF LIFE WITH A LICENSED RECYCLING PROVIDER. ****

LIGHTCLOUD BLUE

Lightcloud Blue is a Bluetooth mesh wireless lighting control system that allows you to control various compatible devices. With RAB's patented Rapid Provisioning technology, devices can be quickly and easily commissioned using the Lightcloud Blue mobile app.

Each device in a system can communicate with any other device, eliminating the need for a Gateway or Hub and maximizing the control system's reach.

ALL FIXTURES MUST BE WIRED TO CONSTANT POWER (HOT FEED) FOR WIRELESS COMMUNICATION.

CREATE A RELIABLE MESH

Lightcloud Blue devices should be placed within the specified range (~60 ft) to communicate within the Bluetooth Mesh network. Building materials such as brick, concrete and steel construction or heavy vegetation, bushes or trees may require additional Lightcloud Blue devices to extend around an obstruction. Contact RAB Lighting for more information.

DOWNLOAD THE MOBILE APP

Lightcloud Blue mobile app is available for IOS and Android mobile phones and tablets. The mobile app is required to commission and configure the Lightcloud Blue fixtures and devices.

Note: The mobile device is NOT part of the mesh network and must be within ≤30 ft from at least one device paired to the Site.



IOS Users



Android Users

GETTING STARTED

1. Confirm your device is powered on.
2. Tap the "add device" icon in the app to start connecting devices.
4. Select the fixture in the app and move it to an Area.
5. You are all set!

RESET TO FACTORY SETTINGS

If your Lightcloud Blue fixture is already paired, you can reset it to factory settings by using below methods.

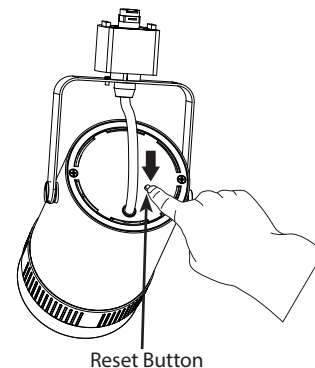
Method 1: Delete from the App

Open the app and access the device settings for the paired device. Be sure that the fixture is online (*green status bars are visible*) and select "DELETE FROM SITE"

Method 2: Manual

Press and hold the reset button for 10s or until the light flashes on/off 3 times as shown in Fig. 16.

Fig. 16



CONFIGURATION

All configuration of Lightcloud Blue products may be performed using the Lightcloud Blue mobile app.



System overview



Resources

POWER OUTAGE RECOVERY

If there is power loss, the Lightcloud Blue light will turn ON AT LAST DIM LEVEL when power is restored. This behavior can be adjusted to LAST STATE using the mobile app. When using Schedules, be sure to add a NANO/LCB (*sold separately*) to maintain accurate timekeeping after a power loss.



© 2026 RAB LIGHTING INC.

Easy Answers

rablighting.com
Visit our website for product info

Tech Help Line
Call our experts: 888 722-1000

e-mail
Answered promptly - tech@rablighting.com

Free Lighting Layouts
Answered online or by request

TK22- 0626
P-102215

RAB WARRANTY: RAB's warranty is subject to all terms and conditions found at rablighting.com/warranty.