

# Built to last. Designed to save.

The vandalproof LED  
that reduces energy  
costs by up to 88%.



## VAN1LED™



**RAB**<sup>®</sup>  
LIGHTING  
RABWEB.COM • 888-722-1000

# Vandalproof LED



- Available in 6W and 12W models
- Replaces up to 70W MH incandescent for impressive energy savings
- Vandalproof polycarbonate drop lens
- Ultra efficient, up to 128 lm/W, reducing energy costs by up to 88%

## Specifications

**UL Listing:** Suitable for wet locations. Covered ceiling mount only.

**LEDs:** 120V long-life LEDs

**Dimming:** TRIAC/ELV dimming capable\*

### VAN1LED 6W

Color Temperature	5000K	4000K	3000K
Input Watts	7	6	7
Output Lumens	872	813	781
Lumens Per Watt	125	128	120
Color Accuracy (CRI)	85	83	84

### VAN1LED 12W

Color Temperature	5000K	4000K	3000K
Input Watts	13	12	12
Output Lumens	1570	1464	1406
Lumens Per Watt	122	124	117
Color Accuracy (CRI)	85	83	84

**Cold Weather Starting:** Minimum starting temperature is -22° F (-30° C)

**Ambient Temperature:** Suitable for use in 113° F (45° C) ambient temperatures

**Housing:** Precision steel housing

**Mounting:** Ceiling mount to recessed junction with knockout template. Tamperproof screws.

**Lens:** Vandalproof, frosted polycarbonate drop lens

**Gaskets:** High-temperature silicone

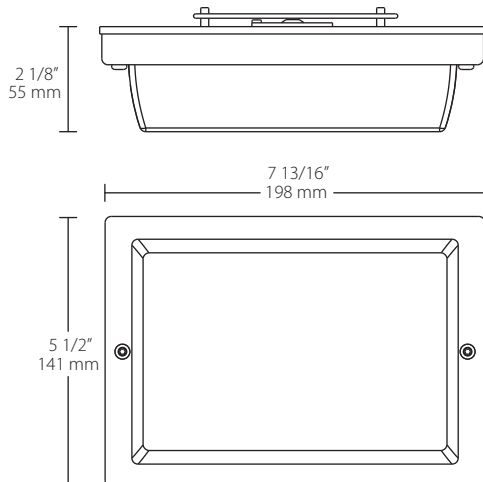
**Finish:** Our environmentally friendly polyester powder coatings are formulated for high durability and long-lasting color, and contain no VOC or toxic heavy metals.

**Green Technology:** Mercury and UV free. RoHS-compliant components.

\*Visit [rabweb.com](http://rabweb.com) for a list of known compatible dimmers.

## Dimensions and weight

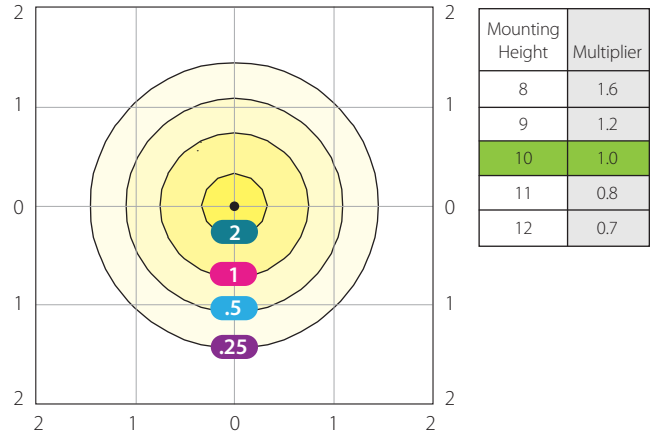
**Weight:** 1.25 lbs



## Photometrics

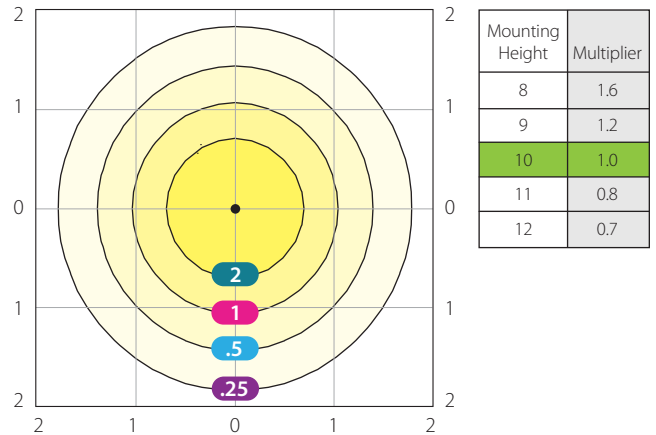
### VAN1LED 6W - 10 ft mounting height

Photometric Report #RAB02539



### VAN1LED 12W - 10 ft mounting height

Photometric Report #RAB02542MOD50



Grid scales: Multiples of mounting height  
Values shown in footcandles

## Ordering information

Product Family	Wattage	Color Temperature	Color
VAN1LED	6 6W 12 12W	Blank 5000K N 4000K Y 3000K	W White