

PROJECT:

DATE:

TYPE:

PREPARED BY:



50,000
HOURS



LISTED

Ultra-economy wall packs with a sleek, contemporary look

KEY FEATURES

Ultra-economy wall pack with a sleek, contemporary look

Covers footprint of small, medium or large HID wall packs

Available in various lumen packages

Available with 120-277V button photocell

FINISHES

30W-139W BRONZE

TECHNICAL SPECIFICATIONS

COMPLIANCE

UL Listed

Suitable for wet locations. Suitable for mounting within 4 feet of the ground

PERFORMANCE

Lifespan

50,000-hour LED lifespan based on IES LM-80 results and TM-21 calculations

LED CHARACTERISTICS

LEDs

Long-life, high-efficacy, surface-mount LEDs

Color Uniformity

RAB's range of Correlated Color Temperature follows the guidelines of the American National Standards for Specifications for the Chromaticity of Solid State Lighting (SSL) Products, ANSI C78.377-2017.

CONSTRUCTION

Cold Weather Starting

Minimum starting temperature is -40°C (-40°F)

Maximum Ambient Temperature

Suitable for use in up to 40°C (104°F)

Mounting

Housing contains two (2) conduit entry points, one on each side and knockout pattern for junction box or direct wall mounting

Lens

Glass

Gaskets

High-temperature silicone

Green Technology

Mercury and UV free. RoHS-compliant components.

Finish

Formulated for high durability and long lasting color

TECHNICAL SPECIFICATIONS (CONTINUED)

ELECTRICAL

Drivers:

Constant Current, Class 2, 120-277V, 50/60 Hz

30W: 120V: 0.25A, 208V: 0.15A, 240V: 0.13A, 277V: 0.11A

33W: 120V: 0.31A, 208V: 0.16A, 240V: 0.14A, 277V: 0.14A

50W: 120V: 0.46A, 208V: 0.24A, 240V: 0.21A, 277V: 0.20A

69W: 120V: 0.68A, 208V: 0.34A, 240V: 0.29A, 277V: 0.31A

86W: 120V: 0.75A, 208V: 0.42A, 240V: 0.36A, 277V: 0.34A

139W: 120V: 1.27A, 208V: 0.67A, 240V: 0.58A, 277V: 0.56A

Surge Protection

2.5kV

OTHER

Warranty

The RAB 5-year, limited warranty covers light output, driver performance and paint finish. RAB's warranty is subject to all terms and conditions found at rablighting.com/warranty.

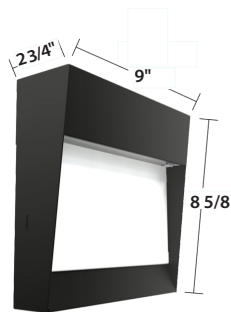
BUY American Act Compliance:

RAB values USA manufacturing! Upon request, RAB may be able to manufacture this product to be compliant with the BUY American Act (BAA). Please contact customer service to request a quote for the product to be made BAA compliant.

DIMENSIONS

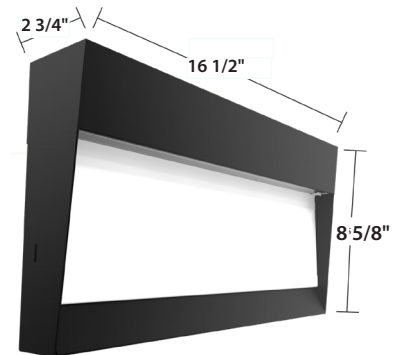
W17 SMALL : 30W & 33W

Weight 3.6 lbs.



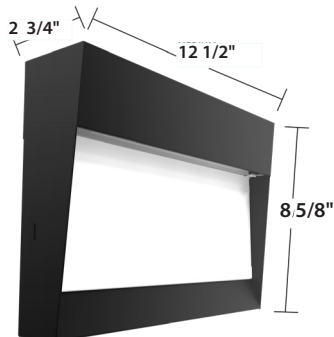
W17 LARGE : 139W

Weight 7.4 lbs.



W17 MEDIUM : 50W, 69W & 86W

Weight 4.8 lbs.



W17™ Ultra-Economy Wall Packs



PERFORMANCE

W17™

30W	5000K	4000K	3000K
LUMENS	3,025	2,971	2,679
INPUT WATTS	29.1	27.8	28.6
LM/W	105.8	106.9	97.5
CRI	83	84	82

33W	5000K	4000K	3000K
LUMENS	3,666	3,777	3,473
INPUT WATTS	36.8	35.2	37.1
LM/W	102.8	107.4	97.1
CRI	83	84	82

55W	5000K	4000K	3000K
LUMENS	5,803	5,917	5,449
INPUT WATTS	54.2	51.7	53.6
LM/W	109.9	114.5	101.7
CRI	83	84	82

69W	5000K	4000K	3000K
LUMENS	8,571	8,408	7,618
INPUT WATTS	80.0	78.5	81.5
LM/W	108.6	107.31	95.8
CRI	84	84	82

86W	5000K	4000K	3000K
LUMENS	9,657	9,933	9,001
INPUT WATTS	89.3	87.4	89.8
LM/W	110.1	113.7	101.5
CRI	84	84	82

139W	5000K	4000K	3000K
LUMENS	15,948	17,055	14,664
INPUT WATTS	147.9	144.7	147.8
LM/W	108.1	117.8	98.8
CRI	85	83	82

ORDERING MATRIX

W17™

Family	Lumen Package	Color Temperature	Options
W17	-		
	30L 2900lm, 30W 36L 3600lm, 33W <hr/> 55L 5500lm, 50W 75L 7500lm, 69W 90L 9000lm, 86W <hr/> 150L 5000lm, 139W	"blank" 80 CRI @ 5000K N 80 CRI @ 4000K Y 80 CRI @ 3000K	"blank" No Option /PCU Button Photocell 120-277Vac only