

# LPACK Field-Adjustable Wall Pack



WPLEDL



PROJECT: \_\_\_\_\_

DATE: \_\_\_\_\_

TYPE: \_\_\_\_\_

PREPARED BY: \_\_\_\_\_



## KEY FEATURES

- Selectable wattages:  
WPLEDL: 113W/85W/58W
- Selectable CCT: 3000K/4000K/5000K
- Selectable on/off photocell.
- Optional Lightcloud Blue-enabled MVS motion sensor
- Voltage ratings: 120-277V
- Comes with integrated junction box
- Suitable for wet locations
- 5-Year, no-compromise warranty

The field-adjustable wall pack with on/off photocell



## PERFORMANCE

WPLEDL	3000K	4000K	5000K	3000K	4000K	5000K	3000K	4000K	5000K
WATTAGE	113W			85W			58W		
INPUT WATTS	114.6W	108.5W	114.6W	83.4W	79.8W	83.5W	57.3W	55.5W	57.3W
LUMENS	13,667	14,968	14,302	10,545	11,388	11,126	7,533	7,973	7,948
EFFICACY	119.3	138.0	124.8	126.4	142.7	133.2	131.5	143.7	138.7
CRI	83	85	83	83	85	83	83	85	83
VOLTAGE RATING	120-277V								

## TECHNICAL SPECIFICATIONS

### COMPLIANCE

#### UL Listed:

Suitable for wet locations. Suitable for mounting within 4 feet of the ground.

#### DLC Listed:

This product family is listed with the DesignLights Consortium (DLC). Individual SKUs within this family may carry either a DLC Standard or DLC Premium qualification. Please refer to the individual product specification sheet or the DLC Qualified Products List (QPL) at designlights.org to confirm the qualification status of a specific SKU prior to specification or purchase.

### FIELD ADJUSTABLE

Color temperature: Selectable 3000/4000/5000K (4000K default)

Wattage: Selectable 113/85/58W (85W default)

Photocell setting: on/off (off default)

### LED CHARACTERISTICS

#### LEDs:

Long-life, high-efficacy, surface-mount LEDs

#### Color Uniformity:

RAB's range of Correlated Color Temperature follows the guidelines of the American National Standards for Specifications for the Chromaticity of Solid State Lighting (SSL) Products, ANSI C78.377-2017.

#### Color Consistency:

7-step MacAdam Ellipse binning to achieve consistent fixture-to-fixture color

#### IESNA LM-79 & LM-80 Testing:

RAB LED luminaires and LED components have been tested by an independent laboratory in accordance with IESNA LM-79 and LM-80.

## TECHNICAL SPECIFICATIONS (CONTINUED)

### LED CHARACTERISTICS

**LEDs**

Long-life, high-efficacy, surface-mount LEDs

**Color Uniformity**

RAB's range of Correlated Color Temperature follows the guidelines of the American National Standards for Specifications for the Chromaticity of Solid State Lighting (SSL) Products, ANSI C78.377-2017.

### CONSTRUCTION

**Cold Weather Starting:**

Minimum starting temperature is -40°C (-40°F)

**Maximum Ambient Temperature:**

Suitable for use in up to 40°C (104°F)

**Mounting:**

Integrated junction box for wall mounting.

**Housing Material:**

Die-case aluminum

**Lens:**

Acrylic

**Reflector:**

Specular aluminum

**Green Technology:**

Mercury and UV free. RoHs-compliant components.

**Finish:**

Formulated for high durability and long lasting color

### ELECTRICAL

**Drivers:**

Constant Current, Class 2, 120-277V, 50/60 Hz

**WPLEDL:**

**113W:** 120V: 0.96A, 208V: 0.55A, 240V: 0.47A, 277V: 0.44A

**85W:** 120V: 0.70A, 208V: 0.41A, 240V: 0.36A, 277V: 0.34A

**58W:** 120V: 0.48A, 208V: 0.287A, 240V: 0.26A, 277V: 0.25A

**Dimming Driver:**

Dims down to 10% and then off

**Surge Protection:**

Line-Line: 6kV; Line - GND: 10kV

**Note:**

All values are typical (tolerance +/- 10%)

**THD/Power Factor:**

MODEL#	THD	PF	THD	PF
	120V		277V	
WPLEDL 113W	8.5%	99.4%	10.6%	92.7%
WPLEDL 85W	8.2%	99.2%	10.3%	88.6%
WPLEDL 58W	7.8%	98.8%	11.7%	81.0%

**Selectable Photocell**

All models come standard with an integrated, selectable, on/off photocell that can automatically control when the wall packs turn on for even greater energy savings.

### OCCUPANCY SENSORS (OPTIONAL)

**Sensor Type:** Microwave (MVS)

**Sensor Mounting:** Externally mounted to fixture using bracket A-100479

**Integrated Sensor Model Number(s):** /LCBS/MVS option uses MVS50/LCB + Bracket A-100479

**Input Voltage:** 12VDC

**Operating Frequency:** 50/60Hz

**Input Current:** 30mA

**Operating Temperature:** -40°F to 140°F (-20°C to 60°C)

**Max Mounting Height:** 50 ft (MVS)

**Detection Range:** MVS: 50 ft diameter mounted at 50

**Daylight Sensing:** The sensor will determine to trigger the light(s) on or not based on the daylight threshold level set.

**Default Settings:**

Motion Sensitivity: High

Brightness when triggered : 100%

Hold time: 20 minutes

Standby to dim: 20%

Standby time: 1 minute

When vacant: Off

Daylight: Disabled

**Adjustable Settings:** Settings for Lightcloud Blue-enabled sensors can be adjusted using the mobile app.

### OTHER

**Warranty:**

The RAB 5-year, no-compromise warranty covers light output, color stability, driver performance, paint finish and labor. RAB's warranty is subject to all terms and conditions found at [rablighting.com/warranty](http://rablighting.com/warranty).

**Trade Agreements Act Compliant:**

This product is a product of Cambodia and a "designated country" end product that complies with the Trade Agreements Act

**Lifespan:**

100,000-hour LED lifespan based on IES LM-80 results and TM-21 calculations

## WIRELESS NETWORK LIGHTING CONTROLS

Lightcloud products offer integrated network lighting control for a truly wireless solution that allows you to manage RAB's various compatible devices. With RAB's patented Rapid Provisioning technology, devices can be quickly and easily commissioned for residential and commercial applications. Each device can communicate with other devices in the mesh network. With two Lightcloud systems to choose from, it's easy to implement controls anywhere.

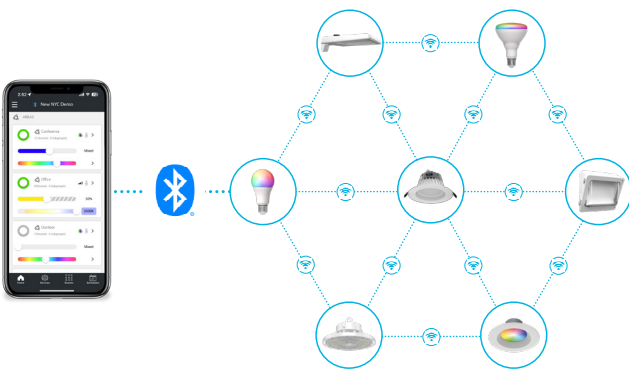


Learn more about Lightcloud wireless networked lighting controls.

Design Lights Consortium Network Lighting Controls:

- Interior Applications: N1XML0EATB
- Exterior Applications: NHCZ2BIA17L

## Lightcloud®



- Utilizes Bluetooth Mesh, eliminating the need for a Gateway or Hub
- Ideal for applications that need basic wireless control such as ON/OFF, dimming, color tuning, Schedules, and SmartShift
- Download the Lightcloud Blue mobile app for iOS or Android devices
- Add the XDIM/BRIDGE/LCB and LCGATEWAY to adopt premium Lightcloud Enterprise features

### SIMPLE SETUP

- 1** Download the app.
- 2** Connect product to power.
- 3** Pair product to app.
- 4** Enjoy!

Learn more about [Lightcloud Blue](#). Visit the [Lightcloud Blue Resources](#) page for more information on how to use the system.

## Lightcloud®



- Utilizes a secure cellular and Zigbee mesh network that requires a Gateway or Hub (sold separately)
- Offers premium features like remote commissioning, demand response, BACnet integration, and more
- Download the Lightcloud Enterprise mobile app for iOS or Android devices

### SIMPLE SETUP

- 1** Download the app.
- 2** Complete the startup document.
- 3** Connect product to power.
- 4** Contact RAB for Remote Commissioning.
- 5** Enjoy!

Learn more about [Lightcloud Enterprise](#). Visit the [Lightcloud Enterprise Resources](#) page for more information on how to use the system.

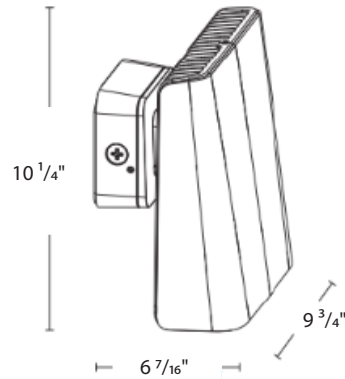
# LPACK Field-Adjustable Wall Pack



## DIMENSIONS

WPLEDL

Weight: 11 lbs



## ORDERING MATRIX

### LPACK

Family	Size/Wattage	Mounting	Color Temperature	Finish	Driver	Controls
WPLED	L					
L	Large (113/85/58W)	BLANK Integrated Junction Box	BLANK 3000/4000/5000K Adjustable CCT	BLANK W Bronze White	BLANK 120-277V, 0-10V Dimming	BLANK /LCBS/MVS Integrated Photocell Lightcloud Blue w/ Microwave Motion Sensor