

High-performing LED tallpack covers the footprint of old HID tallpacks.



**RAB**<sup>®</sup>

# WPTLED™ Tallpacks



- Largest lumen package selection in industry: Available in 12, 25 and 40W models
- Delivers up to 4000 lumens
- Standard 0-10V dimming & 120-277V photocell
- Vandal-resistant lens
- Replaces up to 70W MH and 100W HPS, reducing energy usage by up to 68%
- Covers footprint of most HID tallpacks
- Available with Lightcloud® Controller
- 100,000-Hour LED lifespan

## Specifications

**UL Listing:** Suitable for wet locations, wall mount only

**LEDs:** Long-life, high-efficiency surface mount LEDs

**Drivers:**

**12W:** 12W: Constant Current, Class 2, 120-277V, 50-60Hz, 120V: 0.10A, 208V: 0.06A, 240V: 0.05A, 277V: 0.05A

**25W:** 25W: Constant Current, Class 2, 120-277V, 50-60Hz, 120V: 0.17A, 208V: 0.10A, 240V: 0.09A, 277V: 0.08A

**40W:** 40W: Class 2, Constant Current, 100-277V, 50/60Hz, 120V: 0.34A, 208V: 0.20A, 240V: 0.17A, 277V: 0.15A

**Dimming:** 0 - 10V dimmable driver

**Lifespan:** 100,000-hour LED lifespan based on IES LM-80 results and TM-21 calculations

**Ambient Temperature:** Suitable for use in -40°C (-40°F) to 40°C (104°F) ambient temperatures

**5000K**

Nominal Watts @120V	12W	25W	40W
Input Watts	13	21	35
Output Lumens	1569	2730	4643
Lumens Per Watt	123	131	133
Color Accuracy (CRI)	77	77	77

**4000K**

Input Watts	13	20	34
Output Lumens	1548	2693	4580
Lumens Per Watt	124	132	134
Color Accuracy (CRI)	76	76	76

**3000K**

Input Watts	13	21	35
Output Lumens	1464	2546	4331
Lumens Per Watt	116	124	126
Color Accuracy (CRI)	75	75	75

**Photocell:** 120 - 277V photocell standard; remove silicone cap to utilize

**Housing:** Precision die-cast aluminum

**Mounting:** Three (3) 1/2" NPS conduit entry points (2 sides for through-feed, and bottom), and drilling template for easy wall box mounting.

**Reflector:** High-gloss white aluminum

**Refractor Lens:** High-impact, diffuse, UV-stabilized polycarbonate

**Thermal Management:** Superior thermal management with die-cast aluminum heatsink

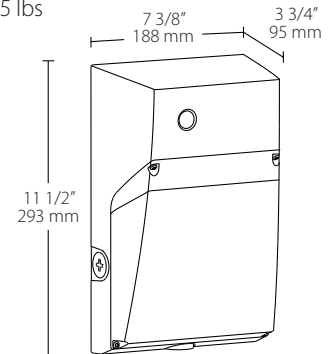
**Gaskets:** High-temperature silicone

**Finish:** Our environmentally friendly polyester powder coatings are formulated for high-durability and long-lasting color, and contain no VOC or toxic heavy metals.

**Green Technology:** Mercury and UV free, and RoHS compliant.

## Dimensions and weight

**Weight:** 6.5 lbs



## Ordering information

Product Family	Wattage	Color Temperature	Finish	Dimming (standard)	Photocell (standard)	Options
WPTLED	12 12W 25 25W 40 40W	Blank 5000K N 4000K Y 3000K	Blank Bronze W White	/D10 /D10 0-10V Dimming	/PC2 /PC2 120 - 277V	/LC Lightcloud™ Controller