



EZPAN[®]

More options, same incredible energy savings and price.

The affordable, ultra-low-profile LED panel is available in 2'x2', 2'x4' and now 1'x4'.



RAB | Indoor

Edge-Lit LED Panels



RAB's warranty is subject to all terms and conditions found at rablighting.com/warranty

- Ultra efficient, up to 117 lm/W, reducing energy costs by up to 73%
- Perfect for shallow plenums
- Even and diffuse ambient illumination, ideal for spaces where glare-free lighting is required
- Offered in three sizes and five wattages:
1x4 (17W, 30W and 40W), 2x2 (17W, 30W and 40W) and 2x4 (30W, 40W and 50W)
- 0-10V dimmable driver, standard
- Emergency battery backup option available
- Available with factory-installed Lightcloud® lighting control system Controller
- Microwave sensor option available



New size, additional power packages.

The EZPAN is now available as a 1x4, with 17W, 30W and 40W models. That's in addition to the existing 2x2 (17W, 30W and 40W) and 2x4 (30W, 40W and 50W) models.



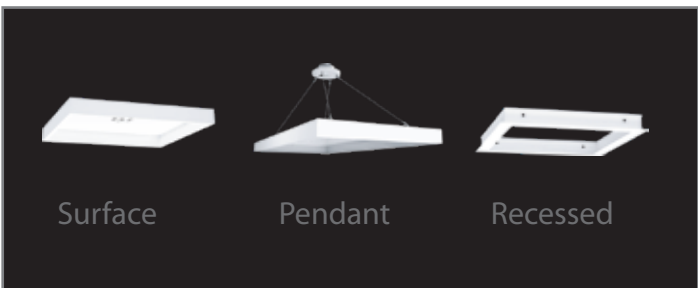
Installs are a cinch.

An NEC-compliant junction box with flying leads makes wiring as simple as twisting a few wire nuts, and integral T-bar clips secure EZPAN to standard T-bar systems.



It's OK to be shallow.

With a height just under 2", the EZPAN is an ideal solution for shallow plenums.



Maximized versatility.

Three EZPAN mounting kits cover all application needs: surface, pendant and recessed mounting.

Performance

	40W				30W				17W			
	5000K	4000K	3500K	3000K	5000K	4000K	3500K	3000K	5000K	4000K	3500K	3000K
1 x 4												
Input Watts	41	42	41	42	30	30	29	30	19	19	18	19
Lumens	5114	5062	4577	4601	3454	3419	3228	3289	2151	2129	2053	2058
Efficacy (lm/W)	115	109	112	109	115	109	112	109	116	111	114	111
Color Accuracy (CRI)	82	83	83	82	82	82	83	83	82	83	83	83
2 x 2												
Input Watts	41	39	41	40	30	29	30	30	19	18	18	18
Lumens	4724	4626	4218	3994	3110	3317	3434	3276	2147	2001	2011	2065
Efficacy (lm/W)	116	117	104	99	104	113	115	111	116	110	109	115
Color Accuracy (CRI)	82	83	82	81	83	83	82	81	82	83	82	82
2 x 4												
Input Watts	46	48	46	48	40	40	40	40	29	30	29	30
Lumens	5270	5297	5348	5473	4692	4465	4741	4682	3433	3662	3469	3426
Efficacy (lm/W)	115	110	116	115	119	112	120	117	118	122	119	116
Color Accuracy (CRI)	82	84	82	82	82	83	82	82	82	84	82	83

Performance data is based on test performed at 120V.

Specifications

UL Listing

Suitable for damp locations.

IC rated for direct contact with thermal insulation

CCEA Compliant

Luminaire Requirements used in Environmental Air Space per the electrical code specification of the City of Chicago

LEDs

Long-life, high efficiency, micro-power, surface mount LEDs

Color Consistency

5-step MacAdam Ellipse binning to achieve consistent fixture-to-fixture color

Lifespan

At 12 hours daily use, RAB LEDs are rated to last over 13 years

Dimming

0-10V dimmable driver, standard

Ambient Operating Temperature

-30°C (-22°F) to 50°C (122°F)

Housing

Lightweight aluminum housing, steel pan and junction box

Lens

Frosted polystyrene

Installation

Standard integral T-bar clips secure the fixture to T-bars and prevent T-system separation.

Finish

Our environmentally friendly polyester powder coatings are formulated for high-durability and long-lasting color, and contain no VOC or toxic heavy metals.

Green Technology

Mercury and UV free. RoHS-compliant components.

Drivers:

50W (2x4): 0.43A @ 120V; 0.24A @ 208V; 0.21A @ 240V; 0.20A @ 277V

40W (2x4): 0.33A @ 120V; 0.22A @ 208V; 0.19A @ 240V; 0.16A @ 277V

30W (2x4): 0.23A @ 120V; 0.16A @ 208V; 0.14A @ 240V; 0.11A @ 277V

40W (2x2): 0.33A @ 120V; 0.22A @ 208V; 0.19A @ 240V; 0.16A @ 277V

30W (2x2): 0.23A @ 120V; 0.16A @ 208V; 0.14A @ 240V; 0.11A @ 277V

17W (2x2): 0.14A @ 120V; 0.10A @ 208V; 0.08A @ 240V; 0.07A @ 277V

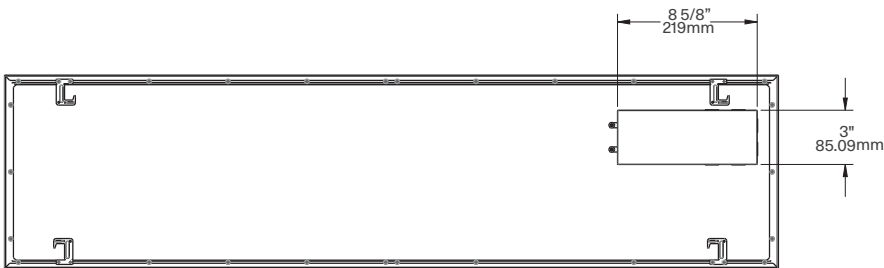
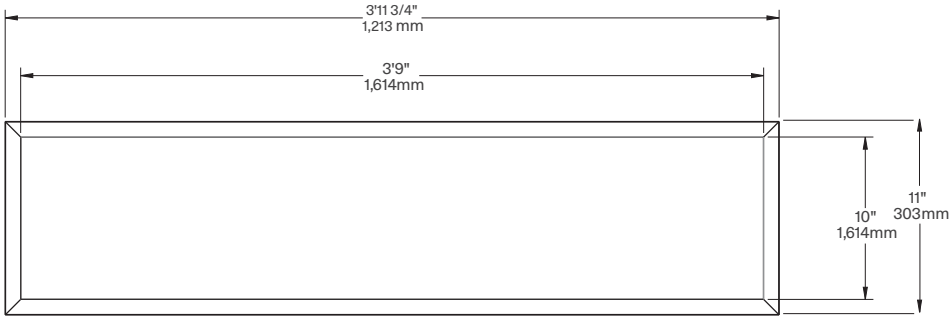
40W (1x4): 0.33A @ 120V; 0.22A @ 208V; 0.19A @ 240V; 0.16A @ 277V

30W (1x4): 0.23A @ 120V; 0.16A @ 208V; 0.14A @ 240V; 0.11A @ 277V

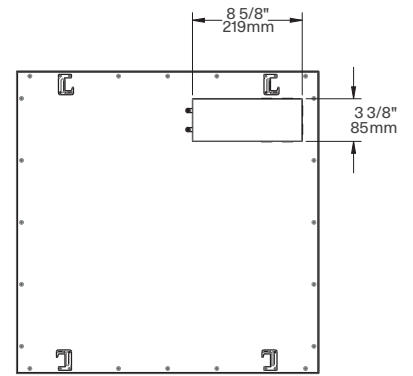
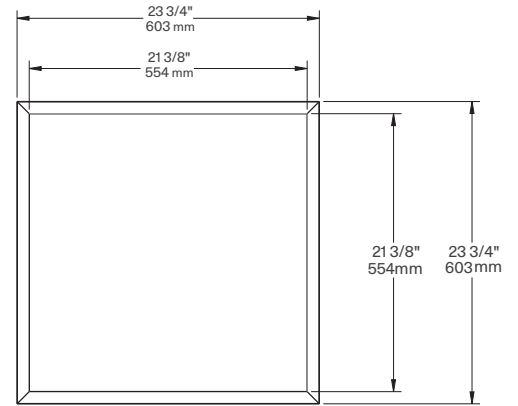
17W (1x4): 0.14A @ 120V; 0.10A @ 208V; 0.08A @ 240V; 0.07A @ 277V

Dimensions and weight

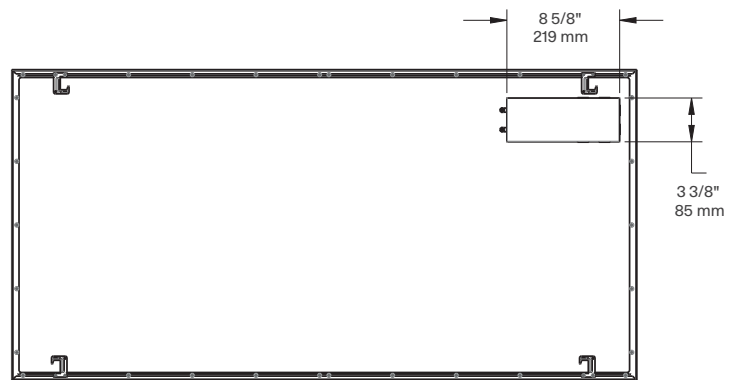
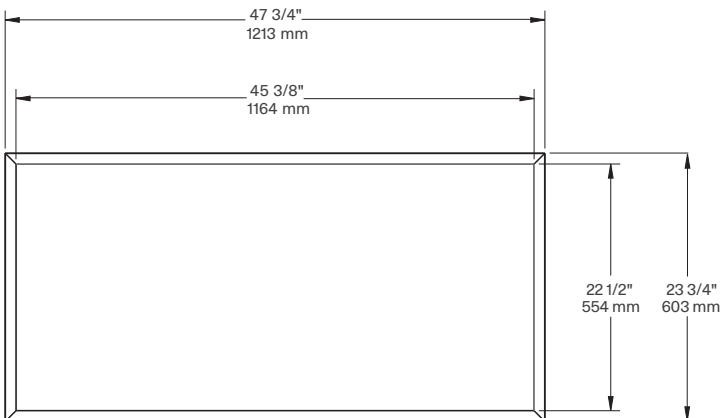
EZPAN 1x4
Weight: 7.1 lbs



EZPAN 2x2
Weight: 7.1 lbs



EZPAN 2x4
Weight: 13.4 lbs



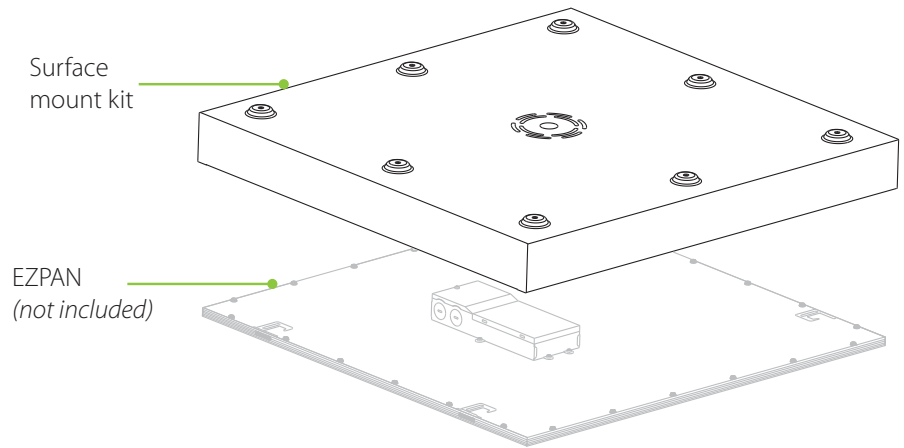
Mounting Accessory Kits

Surface Mounting Kits

SMKEZPAN - 1X4 Surface Mounting Kit

SMEKZPAN - 2X2 Surface Mounting Kit

SMKEZPAN - 2X4 Surface Mounting Kit

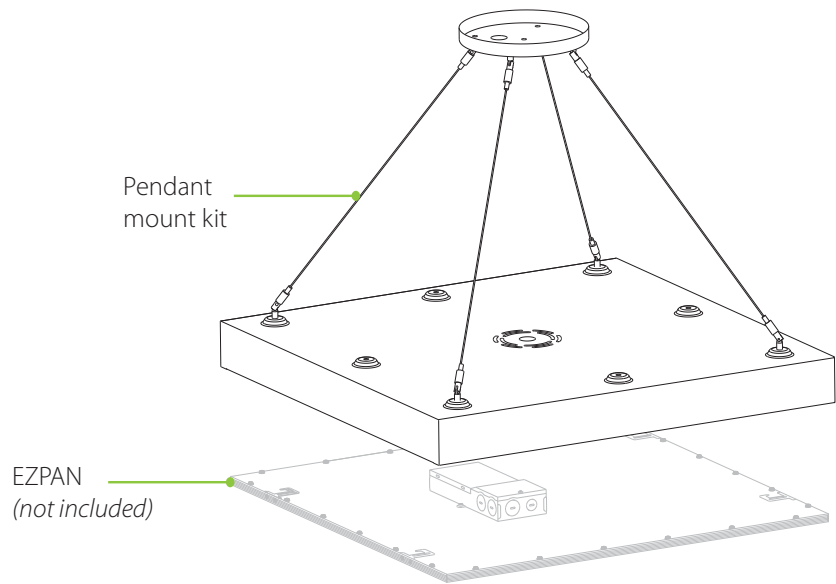


Pendant Mounting Kits

PMKEZPAN - 1X4 Pendant Mounting Kit

PMKEZPAN - 2X2 Pendant Mounting Kit

PMKEZPAN - 2X4 Pendant Mounting Kit

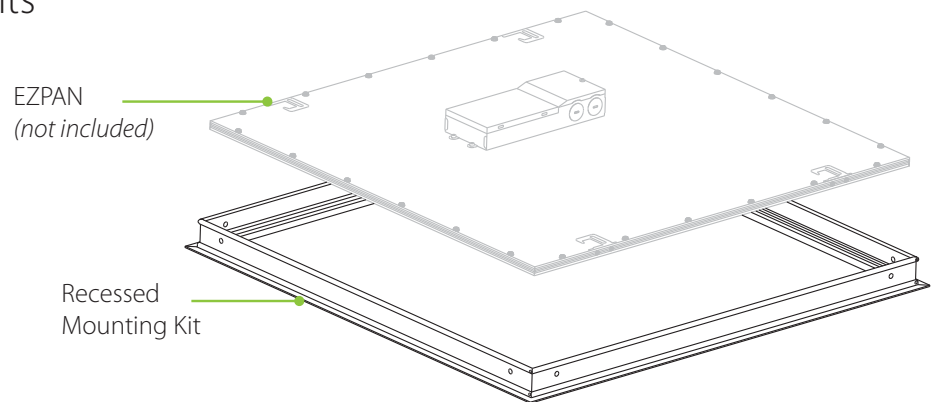


Recessed Drywall Mounting Kits

RMKPANEL - 1X4 Recessed Mounting Kit

RMKPANEL - 2X2 Recessed Mounting Kit

RMKPANEL - 2X4 Recessed Mounting Kit



Ordering information

Product Family	Size	Wattage	Color Temp.	Dimming (standard)	Control Options	Other Options
EZPAN				/D10		
2X4 2' x 4'	50 50W (2' x 4')	Blank 5000K	/D10 0-10V Dimming	Blank No sensor	Blank None	
2X2 2' x 2'	40 40W (2' x 4', 2' x 2', 1' x 4')	N 4000K		/LC Lightcloud Controller	/E2 Emergency Battery Backup	
1X4 1' x 4'	30 30W (2' x 4', 2' x 2', 1' x 4')	YN 3500K				
	17 17W (2' x 2', 1' x 4')	Y 3000K				

Product Family

SMKEZPAN

Surface Mount Kit

Size

2X4 2' x 4'

2X2 2' x 2'

1X4 1' x 4'

Product Family

PMKEZPAN

Pendant Mount Kit

Size

2X4 2' x 4'

2X2 2' x 2'

1X4 1' x 4'

Product Family

RMKPANEL

Recessed Mount Kit

Size

2X4 2' x 4'

2X2 2' x 2'

1X4 1' x 4'