

Quick install. No can required.

Cost-effective **KALI™**
downlight installs directly
to ceiling junction boxes.



RAB[®]
LIGHTING
RABWEB.COM • 888 722-1000

KALI™



- Quick installation, no housing required
- 6" (12W) replaces 60W incandescent
- 4" (10W) replaces 40W incandescent
- Reduces energy costs by up to 80%
- High 90 CRI, standard
- TRIAC and ELV dimmable driver*

Residential Applications

- Hallways
- Kitchens
- Bedrooms
- Walk-in closets
- Laundry rooms



Small Commercial Applications

- Waiting rooms
- Corridors
- Hotel rooms
- Service alcoves/prep areas
- Storage rooms
- Restrooms

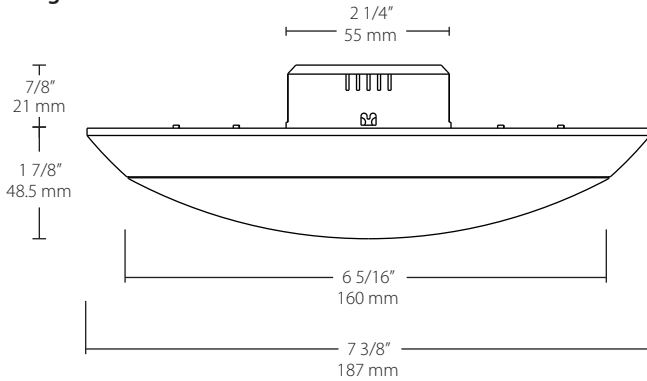


*See dimmer compatibility chart for known compatible dimmers

Dimensions & weights

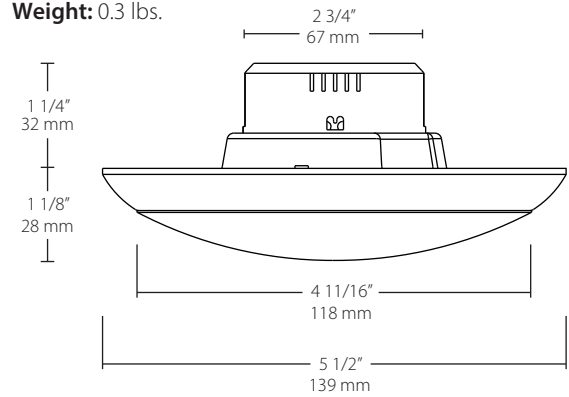
KALI 6" (12W)

Weight: 0.5 lbs.



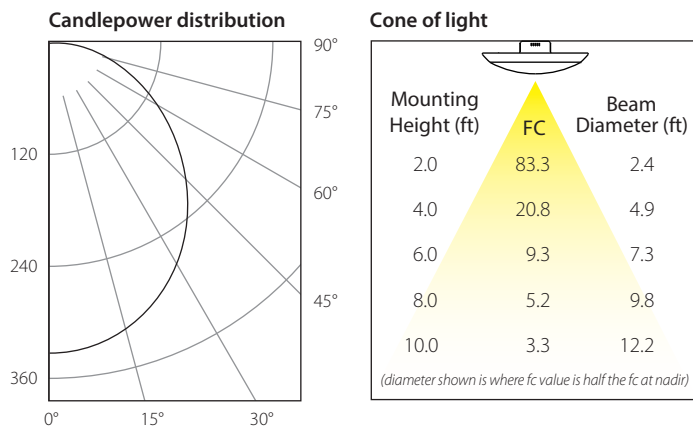
KALI 4" (10W)

Weight: 0.3 lbs.

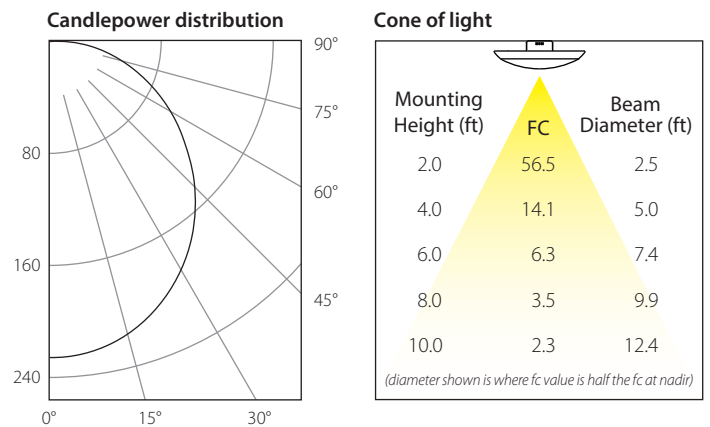


Photometrics

KALI 12W - 2700K (Photometric Report #RAB02419)



KALI 10W - 2700K (Photometric Report #RAB02417)



For smooth, even light distribution use the following spacing criteria:

1.2 x mounting height

KALI™ Specifications

UL Listing: Suitable for damp locations

LEDs: Long-life, high-efficiency surface mount LEDs

Lifespan: 50,000-hour LED lifespan based on IES LM-80 results and TM-21 calculations

Driver: 120V, Constant current, 50/60 Hz

Dimming: Driver supports TRIAC and ELV dimming*

Ambient Temperature: Suitable for use in 40°C (104°F) ambient temperatures

Housing: Post-painted, die-formed aluminum

Lens: Toolless, twist-and-lock polycarbonate diffusion lens

Finish: Chip and fade-resistant polyester powder coat finish

Mounting: Mounts to the following junction boxes with mounting screws 3 1/2" on center: 4" octagonal, 2 1/8" deep; 4" round, 2 1/8" deep; 3 1/2" round new construction, 2 3/4" deep; 3 1/2" round remodeler, 2 5/8" deep.

IESNA LM-79 & LM-80 Testing: RAB LED luminaires have been tested in accordance with IESNA LM-79 and LM-80, and have received the Department of Energy "Lighting Facts" label.

Green Technology: Mercury and UV free. RoHS-compliant components.

*See dimmer compatibility chart for known compatible dimmers

KALI 6" 12W

	3000K	2700K
Color Temperature	3000K	2700K
Input Watts	12	12
Output Lumens	885	943
Lumens Per Watt	71	78
Color Accuracy (CRI)	93	91

KALI 4" 10W

	3000K	2700K
Color Temperature	3000K	2700K
Input Watts	10	10
Output Lumens	696	671
Lumens Per Watt	70	69
Color Accuracy (CRI)	93	91

Dimmer compatibility

LUTRON

RRD-8ANS-WH
RRD-6NA-WH
Skylark S-600P
Skylark SELV-300P
Skylark CTCL-153P

LEVITON

Decora 6631-P
Decora IPL06-10Z
Decora 6674-P

COOPER

AAL06-C1

This partial list contains a representative selection of known compatible dimming controls.

Ordering information

Product Family	Size	Shape	Wattage	Color Temp	CRI
KLED		R			HC
	6 6" 4 4"	R Round	12 12W (6" only) 10 10W (4" only)	Y 3000K YY 2700K	HC 90 CRI

Have recessed housings instead of a junction box?

DLED[®] Retrofit Downlights

- 4" and 6" models with fixed or adjustable heads (6" fits into 6" and 5" housings)
- 9W, 11W and 14W models available
- Compatible with TRIAC and ELV dimming
- 90 CRI standard

