



# Barebones...dirt cheap... awesome!

It's what you get when you cross a panel and a troffer.



**RAB**<sup>®</sup> | Indoor

RABLIGHTING.COM • 888 722-1000

# T17™ LED Troffer



RAB's warranty is subject to all terms and conditions found at [rablighting.com/warranty](http://rablighting.com/warranty)

- A dirt cheap solution for drop ceilings
- Low-profile panel design; classic troffer look
- On/off light only; no dimming
- LED placement mimics look of tubes when lit
- Available in 2x2 (40W) and 2x4 (50W)
- 30,000-Hour LED lifespan
- Multiple-unit cartons reduce on-site waste

## 💰 Down to the nitty gritty.

We've stripped out the bells and whistles to deliver a quality product when you just need a light to turn on. RAB's T17 provides an energy-saving solution for even the tightest of budgets.

## ☀️ Keeping tradition alive.

This back-lit LED panel gives the appearance of a traditional troffer with fluorescent lamps. So, whether you need to wait for additional project funds, or you have to space out your installations due to time constraints, the T17's troffer-like appearance blends right in, removing any urgency to replace an entire area.

## ✅ Yeah, it's that simple.

It doesn't take in-depth training to explain this one. Give your end users something that turns on (or off) with just the flip of a switch. We've even simplified the packaging with multiple-unit cartons that reduce on-site waste and decrease unpacking and cleanup labor!



T17™ LED Troffer gives the appearance of a traditional troffer with fluorescent lamps.

## Performance

<b>2x4 (50W)</b>	<b>5700K</b>	<b>4000K</b>	<b>2x2 (40W)</b>	<b>5700K</b>	<b>4000K</b>
Input Watts	47	46	Input Watts	39	38
Lumens	4060	4171	Lumens	2953	3085
Lumens Per Watt (lm/W)	87	90	Lumens Per Watt (lm/W)	76	81
Color Accuracy (CRI)	85	81	Color Accuracy (CRI)	85	82

Performance data is based on test performed at 120V.

## Specifications

### UL Listing:

Suitable for damp locations

### LEDs:

Long-life, surface-mounted, discreet LEDs

### Lifespan:

30,000-hour LED lifespan based on IES LM-80 results and TM-21 calculations

### Drivers:

Class 2, Constant Current, 50/60Hz, 120-277V, 2kV surge protection

**40W:** 0.33A@120V, 0.20A@208V, 0.17A@240V, 0.15A@277V

**50W:** 0.40A@120V, 0.25A@208V, 0.21A@240V, 0.18A@277V

### Dimming:

None; on/off only

### Housing:

Plastic frame & galvanized steel back housing

### Ambient Temperature:

Suitable for use in -20°C (-4°F) to 40°C (104°F)

### Mounting:

For drop ceilings, standard integral clips secure the fixture to t-bars and prevent t-system separation. Compatible with RMKPANEL for other recessed applications and SMK PANEL for surface applications.

### Lens:

Frosted Polystyrene

### Finish:

White

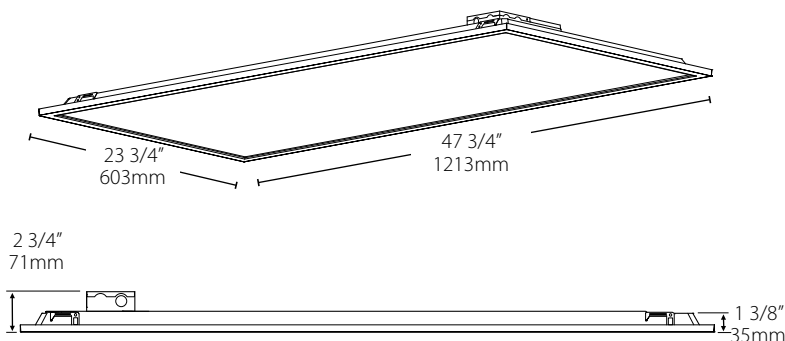
### Green Technology:

Mercury and UV free. RoHS-compliant components.

## Dimensions & weights

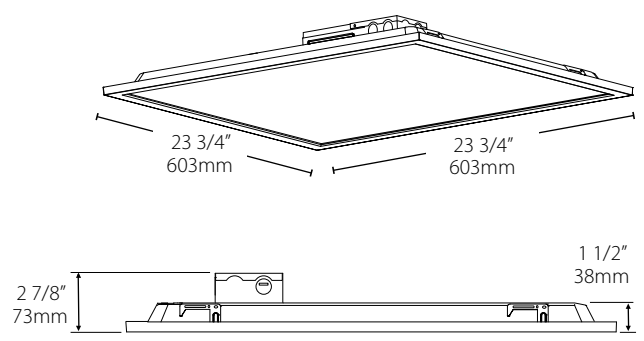
### 2x4 (50W)

Weight: 8.29 lbs.



### 2x2 (40W)

Weight: 4.51 lbs.



## Ordering Information

\*Must order in case quantity increments. See product spec sheet for exact increments.

Product	Size	Wattage	Color Temp
T17	2x4 2x2	50 40	5700K 4000K

For the latest product literature,  
download the rabdrive app

Get the app



Follow us



**RAB**<sup>®</sup>

Learn more:

[rablighting.com](http://rablighting.com) • [lightcloud.com](http://lightcloud.com)

RAB is continually improving our products. Specifications may change without notice.  
The designs of RAB fixtures are protected under U.S. and international intellectual property laws.