



Replace up to  
400W MH with just  
80 Watts of LED.

---

WPLED80

---



Visit [rabweb.com](http://rabweb.com) to see which models are DLC Premium or DLC listed.

**RAB**<sup>®</sup>  
LIGHTING  
RABWEB.COM • 888 722-1000

# WPLED80

- Ultra efficient 100 lm/W
- Reduces energy costs by 78%
- 3 Cutoff options
- Bi-level and 0 - 10V dimming options
- Swivel photocell available
- Area light version also available (ALED80)
- 100,000-Hour LED lifespan
- 5-Year Warranty

Vertical fins for maximum heat dissipation



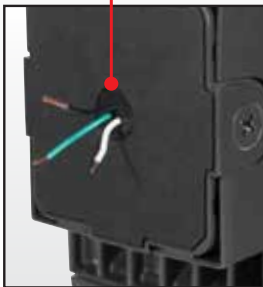
No visible gaskets or hardware

Side access panel for wiring and inspection



Wiring plug gasket seals out moisture

Mounting Bracket with tether for easy wiring



# WPLED® 80W Specifications

**UL Listing:** Suitable for wet locations.

**LEDs:** Multi-chip, high-output, long-life LEDs

**Lifespan:** 100,000-hour LED lifespan based on IES LM-80 results and TM-21 calculations

**Drivers:** Constant current, Class 2, 100 - 277V and 480V, 50/60 Hz, 120V: 0.71A, 208V: 0.41A, 240V: 0.36A, 277V: 0.31A, 480V: 0.18A, 4 kV surge protection

Color Temperature	3000K	4000K	5000K
Input Watts	83	83	84
Output Lumens	9201	9588	9437
Lumens Per Watt	111	115	113
Color Accuracy (CRI)	71	72	73

**Ambient Temperature:** Suitable for use in 40°C ambient temperatures.

**Cold Weather Starting:** The minimum starting temperature is -40°C.

**Thermal Management:** Superior thermal management with external Air-Flow fins

**Housing:** Die-cast aluminum housing, door frame, arm and wall bracket

**Mounting:** Die-cast aluminum wall bracket with (5) 1/2" conduit openings with plugs. Two-piece bracket with tether for ease of installation and wiring.

**Arm:** Die-cast aluminum with wiring access plate

**Cutoff Options:** Full Cutoff (0°), Cutoff (7.5° up tilt), Standard (15° up tilt)

**Reflector:** Polycarbonate vacuum metalized specular reflector

**Gaskets:** High-temperature silicone gaskets, including a wiring plug gasket, seal out moisture

**Color Stability:** LED color temperature is warranted to shift no more than 200K in CCT over a 5 year period.

**Color Uniformity:** RAB's range of CCT (Correlated Color Temperature) follows the guidelines of the American National Standard for Specifications for the Chromaticity of Solid State Lighting (SSL) Products, ANSI C78.377-2015.

**Finish:** Our environmentally friendly polyester powder coatings are formulated for high-durability and long-lasting color, and contain no VOC or toxic heavy metals.

**Green Technology:** Mercury and UV free. RoHS-compliant components.

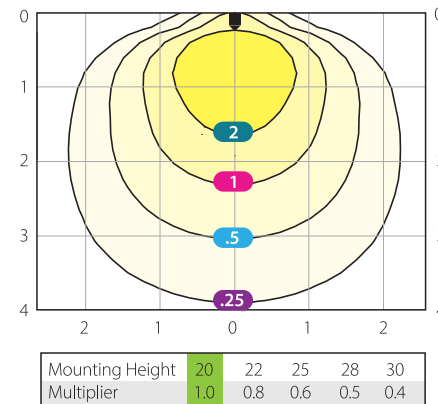
**IESNA LM-79 & LM-80 Testing:** RAB LED luminaires have been tested by an independent laboratory in accordance with IESNA LM-79 and LM-80, and have received the Department of Energy "Lighting Facts" label.

**California Title 24:** WPLED80 configured with bi-level or 0-10V dimming and a compatible photo and/or motion sensor complies with 2013 California Title 24 building and electrical codes as a commercial outdoor pole-mounted fixture >30 Watts mounted at height greater than 24 feet.

## Photometrics

### WPLED 80W

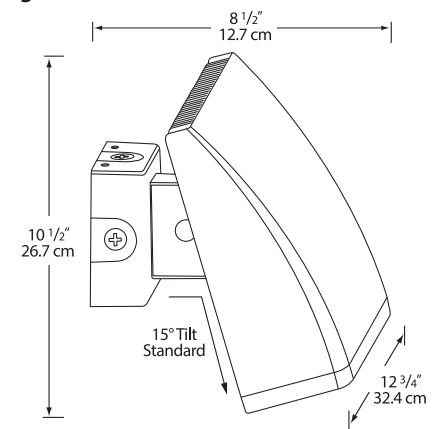
80W at 20' Mounting Height, 15° tilt



Grid scale: Multiples of mounting height • Values shown in footcandles  
Photometric Report #RAB02587MOD50

## Dimensions

**Weight:** 17.5 lbs.



## Ordering information

### Product Family

WPLED

### Cutoff

Blank 15°  
C 7.5°  
FC 0°

### Wattage

52 52W  
80 80W

### Color Temp

Blank 5000K  
N 4000K  
Y 3000K

### Color

Blank Bronze  
W White

### Driver Options

/480 480V  
/BL Bi-Level  
/D10 0-10V Dimming

### Photocell Options

/PCS 120V Swivel Photocell  
/PCS2 277V Swivel Photocell  
/PCS4 480V Swivel Photocell