

FLEXICOVE FCLED INSTALLATION INSTRUCTIONS



Thank you for buying RAB lighting fixtures. Our goal is to design the best quality products to get the job done right. We'd like to hear your comments. Call the Marketing Department at 888-RAB-1000 or email: marketing@rabweb.com



IMPORTANT

READ CAREFULLY BEFORE INSTALLING FIXTURE. RETAIN THESE INSTRUCTIONS FOR FUTURE REFERENCE.

Fixtures must be wired in accordance with the National Electrical Code and all applicable local codes. Proper grounding is required for safety. THIS PRODUCT MUST BE INSTALLED IN ACCORDANCE WITH THE APPLICABLE INSTALLATION CODE BY A PERSON FAMILIAR WITH THE CONSTRUCTION AND OPERATION OF THE PRODUCT AND THE HAZARDS INVOLVED.

WARNING: Make certain power is OFF before installing or maintaining fixture. No user-serviceable parts inside.

IMPORTANT SAFETY INSTRUCTIONS

When using electrical products, basic precautions should always be followed including the following:

- Electrical ratings: 120V, 60Hz. INPUT CURRENT (Ampere) = TOTAL LENGTH FLEXIBLE LIGHT STRIP (maximum length is 140ft) x LED CURRENT (0.025A) / CIRCUIT LENGTH (1ft)
- Fuse replacement rating: 125V, 5A max

READ AND FOLLOW ALL SAFETY INSTRUCTIONS

- Suitable for outdoor use.
- Do not cover this product as this may cause the flexible light strip to overheat and melt or ignite.
- Do not operate with the flexible light strip tightly coiled.
- Do not puncture, cut, shorten or splice the flexible light strip.
- Do not route the cord or flexible light strip through walls, doors, windows or any like part of the building structure.
- Do not use if there is any damage to the light strip or cord insulation. Inspect periodically.
- Do not submerge flexible light strip in liquids, or use the product in the vicinity of standing water or other liquids.
- Secure this flexible light strip using only the Mounting U-Channel or Mounting Clips provided. Do not secure this product or its cord with staples, nails or like means that may damage the insulation.
- Do not subject flexible light strip to continuous flexing.
- This product has a polarized plug (one blade is wider than the other) as a feature to reduce the risk of electric shock. This plug will fit in a polarized outlet only one way. If the plug does not fit fully in the outlet, reverse the plug. If it still does not fit, contact a qualified electrician. Do not use with an extension cord unless plug can be fully inserted. Do not alter or replace the plug.
- Always unplug this product before installing or replacing fuses.
- The power cable has a built-in surge protection module. Cutting the surge module or/and plug off will result in voiding the product warranty and RISK OF ELECTRICAL SHOCK AND DAMAGING THE PRODUCT. DO NOT CUT!

SAVE THESE INSTRUCTIONS

WARNING: When installing flexible light strip outdoors, basic safety precautions should always be followed to reduce the risk of fire, electric shock, and personal injury, including the following:

Read all instructions

- Ground Fault Circuit Interrupter (GFCI) protection must be provided on the circuits or outlet to be used for the outdoor use flexible light strip product. Receptacles are available having built-in GFCI protection for this measure of safety.
- Use only outdoor extension cords, such as type SW, SOW, STW, STOW, SJW, SJOW, SJTW or SJTOW.

WARNING - Risk of fire and electric shock. Uncoil flexible light strip prior to plugging into receptacle.

FLEXICOVE FCLED INSTALLATION INSTRUCTIONS

Thank you for buying RAB lighting fixtures. Our goal is to design the best quality products to get the job done right. We'd like to hear your comments. Call the Marketing Department at 888-RAB-1000 or email: marketing@rabweb.com

CURRENT CALCULATION

The suitable current rating can be calculated by the below formula:

INPUT CURRENT (Ampere) = TOTAL LENGTH FLEXIBLE LIGHT (in feet, maximum length is 140ft) x LED CURRENT (0.025A)

Note - INPUT VOLTAGE, FREQUENCY = 120V, 60Hz

SURFACE MOUNTING

WARNING - Risk of fire and electric shock. Uncoil Flexicove prior to plugging into receptacle.

WARNING: Do not puncture, cut, shorten or splice the flexible light strip.

Flexicove is suitable for indoor and outdoor surface mounted applications in wet locations. For face-down or vertical application - Clear rigid PVC **Mounting U-Channel** is recommended. For face-up or horizontal application - **Mounting U-Channel** and/or Mounting Clips are recommended.

1. Unplug from main fuse box or circuit breaker box before installation or replacement of fuse.
2. Cut **Mounting U-Channel** to size with a fine tooth saw.
3. Secure **Mounting U-Channel** on wall or surface with self tapping screws or hardware (not provided) suitable for mounting surface every 6" (152.4mm) as shown in **Fig. 1**. Snap **Flexicove** into **Mounting U-Channel** as shown in **Fig. 2**.

Note - If flexible light strip is installed outdoors, stainless steel hardware is recommended for installing **Mounting U-Channel**.

4. Alternatively, Clear rigid PVC Mounting Clips can be used to secure the flexible strip light. Recommended Center to center spacing of the Mounting Clips is 4" (101.6mm).
Note - Flexicove does not bend on horizontal plane. Flexicove does not bend 90 degrees. Flexible light strip bend to a minimum of 2" (50.8mm) radius as shown in Fig. 3.
5. Plug power cable into a polarized 120V receptacle and turn power on.

Note - A spare fuse is provided in the plug as shown in Fig. 4.

Flexicove operates on 120VAC, 60Hz only, always confirm the total current of the linear strip (using the formula above) does not exceed the maximum current of the circuit it is connected to.

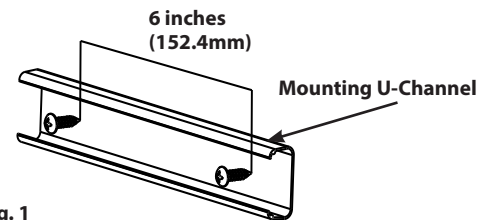


Fig. 1

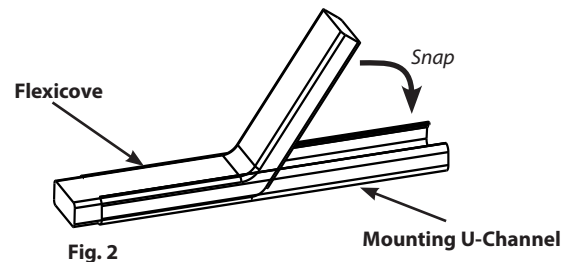


Fig. 2

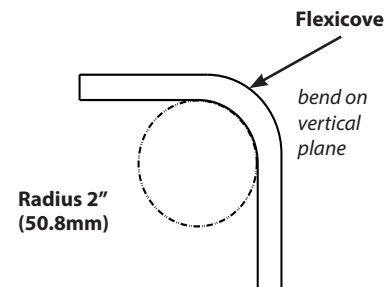


Fig. 3

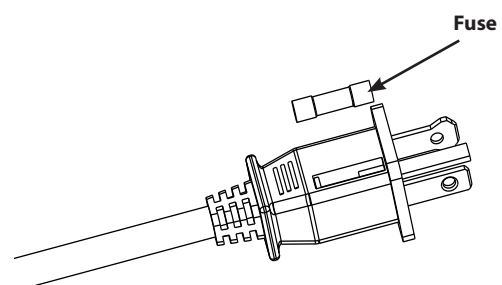


Fig. 4

FLEXICOVE FCLED INSTALLATION INSTRUCTIONS



Thank you for buying RAB lighting fixtures. Our goal is to design the best quality products to get the job done right. We'd like to hear your comments. Call the Marketing Department at 888-RAB-1000 or email: marketing@rabweb.com

DIMMER COMPATIBILITY

| BRAND | MODEL | DIMMING % |
|---------|--------------------|-----------|
| Leviton | 35A00-1 | 0.0 |
| Lutron | Maestro - MRF2-6ND | 0.1 |
| Lutron | RRD-6NA-WH | 0.0 |

CLEANING & MAINTENANCE

CAUTION: Be sure fixture temperature is cool enough to touch. Do not clean or maintain while fixture is energized.

Flexicove could be washed in a solution of warm water and any mild, non abrasive household detergent, rinsed with clean water and wiped dry.

WARNING: PVC is affected by cleaning agents or other liquids containing organic solvents. Examples include but not limited to methylethylketone (MEK), acetone (Dimethyl ketone), benzene or other aromatics like xylenes/toluene, and ethers such as tetrahydrofuran (THF) or other similar chemicals known as petroleum ethers or distillates. Please go to rabweb.com for a detailed list of damaging chemicals.

TROUBLESHOOTING

1. Check that the line voltage at the Flexicove is 120V AC.
2. Ensure that the fuse has not blown inside the plug.
Note - A spare fuse is provided in the plug.

Note: These instructions do not cover all details or variations in equipment nor do they provide for every possible situation during installation operation or maintenance.



Easy Answers

rabweb.com
Visit our website for product info

Tech Help Line
Call our experts - 888 722-1000

e-mail
Answered promptly - sales@rabweb.com

Free Lighting Layouts
Answered online or by request

DIMENSIONAL DRAWING FOR SINGLE SECTION USING METAL RECTIFIER

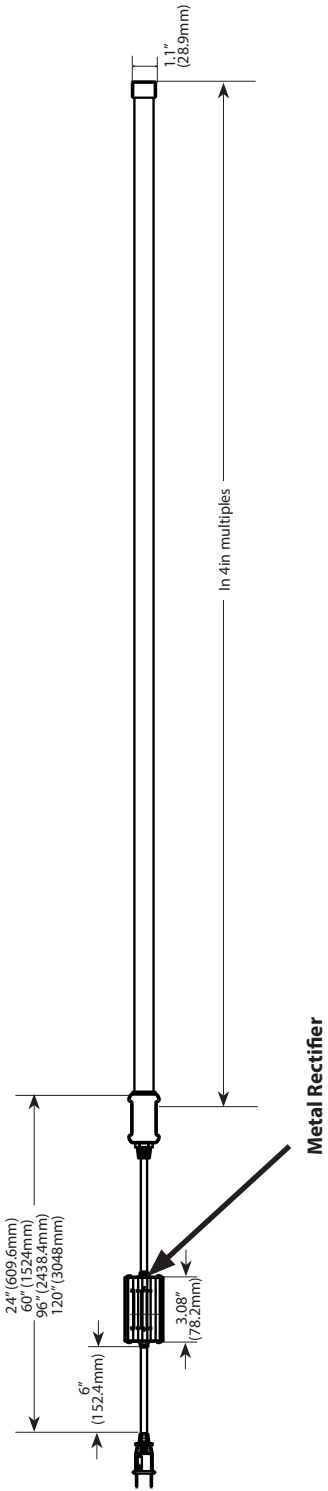


Fig. 5

DIMENSIONAL DRAWING FOR 2 SECTION USING PVC RECTIFIER

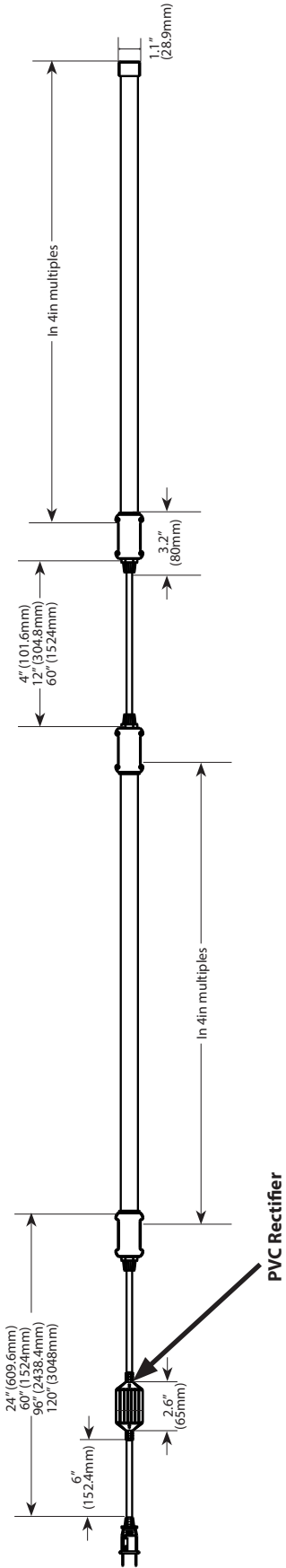


Fig. 6

Note that two LEDs are hidden in the leader cable and one LED is hidden in the end cap.