

HAZBAYLED & HAZAISLED INSTALLATION INSTRUCTIONS **RAB** LIGHTING

Thank you for buying RAB lighting fixtures. Our goal is to design the best quality products to get the job done right. We'd like to hear your comments. Call the Marketing Department at 888-RAB-1000 or email: marketing@rabweb.com



IMPORTANT

READ CAREFULLY BEFORE INSTALLING FIXTURE. RETAIN THESE INSTRUCTIONS FOR FUTURE REFERENCE.

Fixtures must be wired in accordance with the National Electrical Code and all applicable local codes. Proper grounding is required for safety. THIS PRODUCT MUST BE INSTALLED IN ACCORDANCE WITH THE APPLICABLE INSTALLATION CODE BY A PERSON FAMILIAR WITH THE CONSTRUCTION AND OPERATION OF THE PRODUCT AND THE HAZARDS INVOLVED.

WARNING: Make certain power is OFF before installing or maintaining fixture. No user serviceable parts inside.

SAFETY INSTRUCTIONS

WARNING: TO REDUCE THE RISK OF IGNITION OF HAZARDOUS ATMOSPHERES, DISCONNECT THE LUMINAIRE FROM SUPPLY CIRCUIT BEFORE OPENING. KEEP TIGHTLY CLOSED WHEN IN OPERATION.

WARNING: SUITABLE FOR USE IN THE FOLLOWING HAZARDOUS AREAS AS DEFINED BY THE NATIONAL ELECTRIC CODE: CLASS I DIV.2 GROUP A, B, C, D. SUITABLE FOR WET LOCATIONS WITH 3/4" PENDANT STEM.

WARNING: FOR 78W/ 104W UNITS DO NOT EXCEED OPERATING TEMPERATURES OF 180°C (356°F) AND OPERATING TEMPERATURE CODE: T3A. MAXIMUM AMBIENT TEMPERATURE OF 40°C (104°F).

WARNING: MIN 90°C SUPPLY CONDUCTORS.

WARNING: SILICONE ALL PLUGS AND UNUSED CONDUIT ENTRIES FOR WEATHER PROOF SEALING.

CAUTION

For Aisle fixtures, orient the fixture as indicated by the label " ← AISLE ORIENTATION → " on the product.

PENDANT MOUNTING

Choose pendant length and appropriate junction box to mount the fixture as follows:

1. Unlatch and open the **Wiring Box**.
2. Thread **3/4" NPT Pendant Rod (not supplied)** onto the **Wiring Box**. Wrap teflon tape or silicone gel onto the threads to prevent moisture from getting into the **Housing**.
3. Tighten **Set Screw** as shown in **Fig. 1**.
4. Feed supply wires through **Pendant Rod**. Make wiring connections in **Wiring Box** as shown in the wiring section with UL approved connectors as required by code.

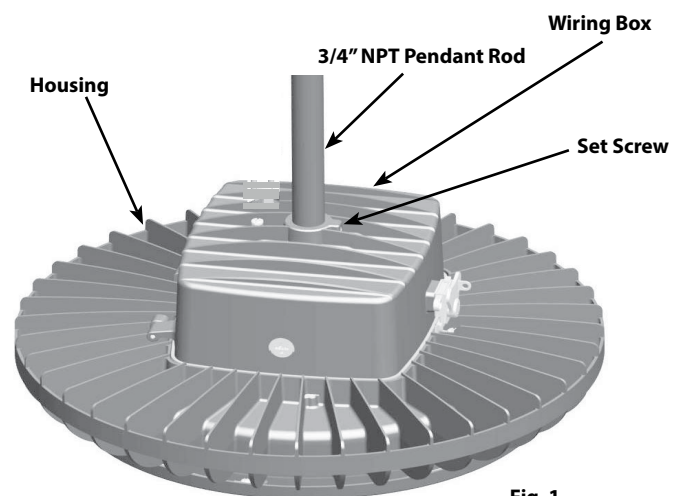


Fig. 1

HAZBAYLED & HAZAISLED INSTALLATION INSTRUCTIONS **RAB** LIGHTING

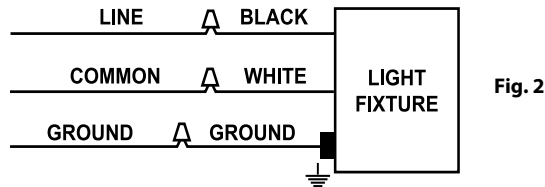
Thank you for buying RAB lighting fixtures. Our goal is to design the best quality products to get the job done right. We'd like to hear your comments. Call the Marketing Department at 888-RAB-1000 or email: marketing@rabweb.com

ON-OFF WIRING

CAUTION: Make sure the supply voltage is the same as the luminaire voltage. Review Specification Label on product for electrical ratings.

Universal voltage driver permits operation at 120-277VAC, 50 or 60Hz. Follow wiring directions as in Fig. 2.

1. Connect the black fixture lead to the LINE supply lead.
2. Connect the white fixture lead to the COMMON supply lead.
3. Connect the GROUND wire from fixture to supply ground.

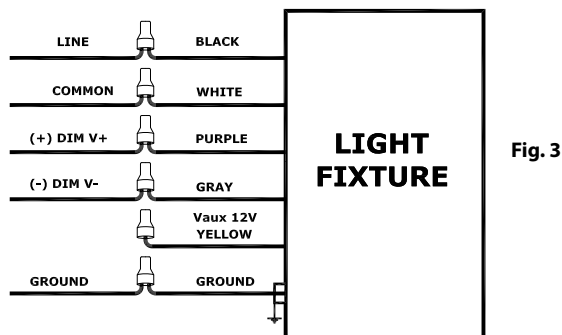


0-10V DIMMABLE WIRING

CAUTION: Make sure the supply voltage is the same as the luminaire voltage. Review Specification Label on product for electrical ratings.

Universal voltage driver permits operation at 120-277VAC, 50 or 60Hz. For 0-10V Dimming, follow the wiring directions as in fig. 3.

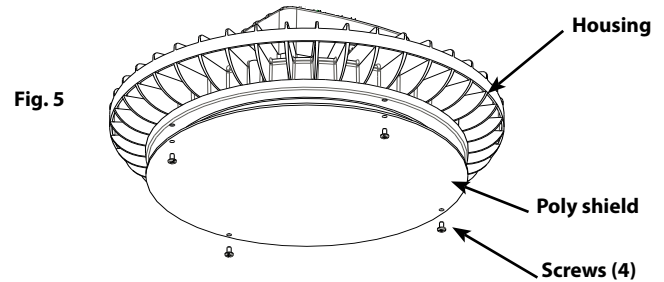
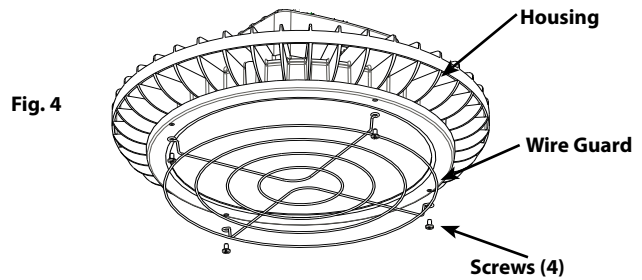
1. Connect the black fixture lead to the LINE supply lead.
2. Connect the white fixture lead to the COMMON supply lead.
3. Connect the GROUND wire from fixture to supply ground. Do NOT connect the GROUND of the dimming fixture to the output.
4. Connect the purple fixture lead to the (V+) DIM lead.
5. Connect the gray fixture lead to the (V-) DIM lead.
6. Cap the yellow fixture lead, if present. Do NOT connect.



GUARD OR SHIELD INSTALLATION

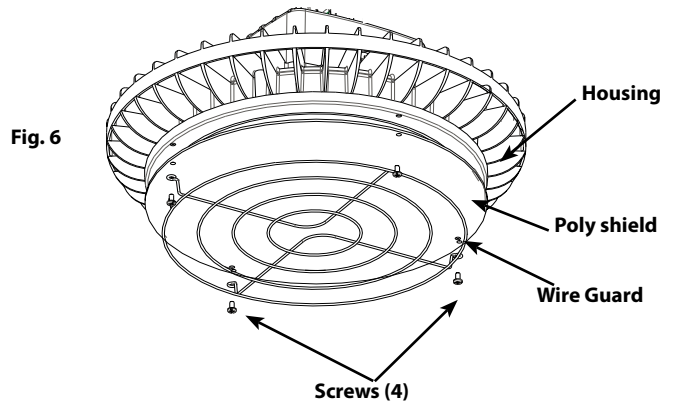
Wire Guard and Poly Shield mount with (4) #8-32 Stainless Steel Screws. Screws are provided with the accessory. See Fig. 4 for Guard. See Fig. 5 for Shield.

1. Line up guard or shield with existing pre-drilled holes in frame as shown, tighten screws.



GUARD & SHIELD INSTALLATION

The Wire Guard and Poly Shield can be mounted on the same fixture with (4) #8-32 screws as shown below.



Note: These instructions do not cover all details or variations in equipment nor do they provide for every possible situation during installation operation or maintenance.

HAZBAYLED & HAZAISLED INSTALLATION INSTRUCTIONS



Thank you for buying RAB lighting fixtures. Our goal is to design the best quality products to get the job done right. We'd like to hear your comments. Call the Marketing Department at 888-RAB-1000 or email: marketing@rabweb.com

CLEANING & MAINTENANCE

CAUTION: Be sure fixture temperature is cool enough to touch. Do not clean or maintain while fixture is energized.

1. Clean glass lens & fixture with non-abrasive glass cleaning solution.
2. Do not open fixture to clean the LED. Do not touch the LED.
3. All gaskets seals must be clean and undamaged.

TROUBLESHOOTING

1. Check that the line voltage at fixture is correct. Refer to wiring directions.
2. Be sure fixture is grounded properly.

ACCESSORIES

Chrome Wire Guard:
Poly Shield:

GDBAYLED78W
GDBAYLED78P

HAZBAYLED 104W BILEVEL SWITCHING



Thank you for buying RAB lighting fixtures. Our goal is to design the best quality products to get the job done right. We'd like to hear your comments. Call the Marketing Department at 888-RAB-1000 or email: marketing@rabweb.com

IMPORTANT

READ CAREFULLY BEFORE INSTALLING FIXTURE. RETAIN THESE INSTRUCTIONS FOR FUTURE REFERENCE.

Fixtures must be wired in accordance with the National Electrical Code and all applicable local codes. Proper grounding is required for safety. THIS PRODUCT MUST BE INSTALLED IN ACCORDANCE WITH THE APPLICABLE INSTALLATION CODE BY A PERSON FAMILIAR WITH THE CONSTRUCTION AND OPERATION OF THE PRODUCT AND THE HAZARDS INVOLVED.

WARNING: Make certain power is OFF before installing or maintaining fixture. No user serviceable parts inside.

Note: Pendant Stem (supplied by others) to be used for mounting.

WIRING

1. Bi-level fixtures have LED's wired in pairs. The corresponding LEDs for the two set of leads are shown below.
2. Each LED's has set of leads brought through the back of housing and labeled.
3. Use the leads for switching as needed in your application.

